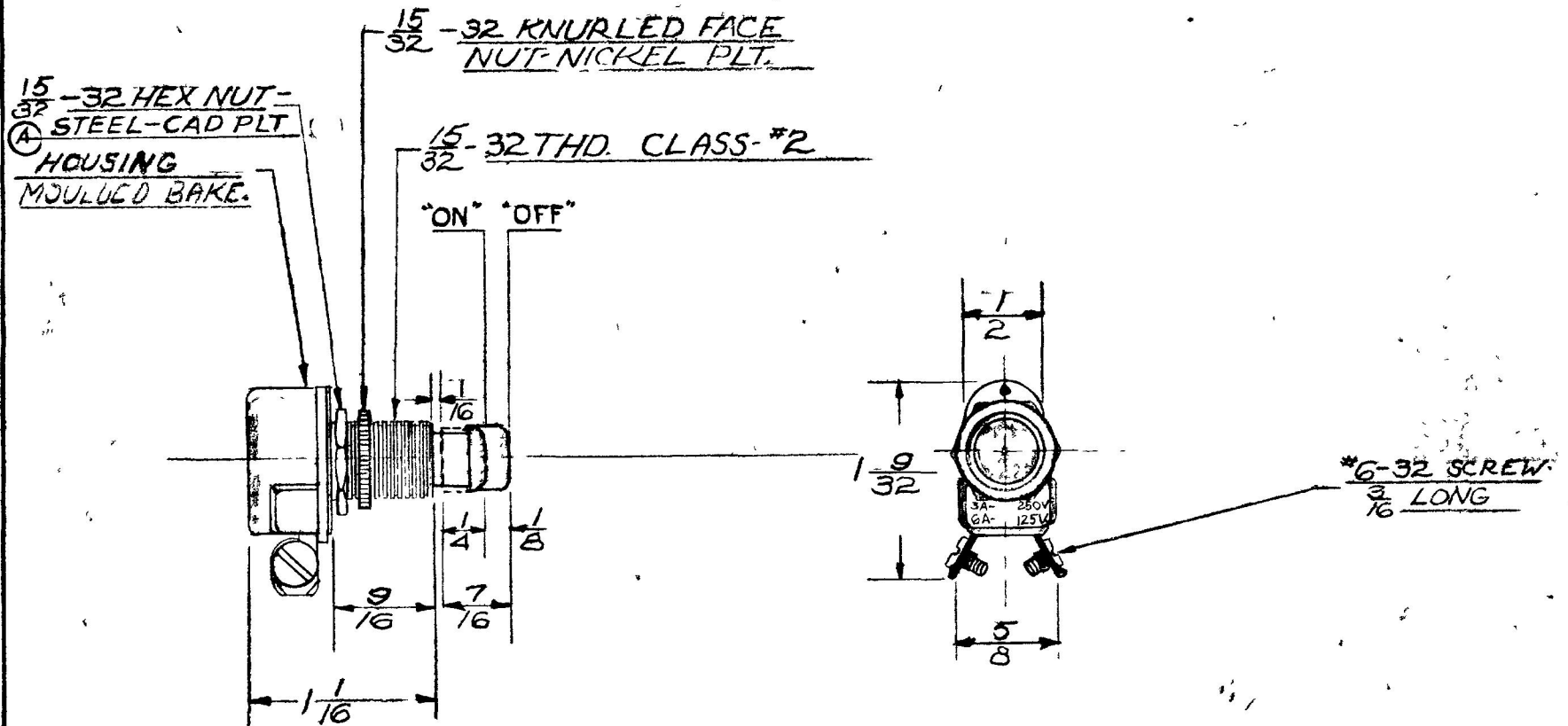


9100

COLE-HERSEE CO.



LET	WAS	DATE	BY	LET	WAS	DATE	BY	MATERIAL	DRAWN	CHECKED	APPR V'D	SCALE	USED ON	DATE DRAWN
								NOTED	EAS	FE		1-1		3-12-52
								FINISH NOTED	COLE-HERSEE COMPANY BOSTON 27, MASS, U. S. A.				DATE ISSUED	
								TOLERANCES FRACTIONAL ±005 DECIMAL ±002	NAME MOMENTARY PUSH SWITCH				PART NO 9100	
				A	NICKEL	11-6-68	JH							