

91521  
91051

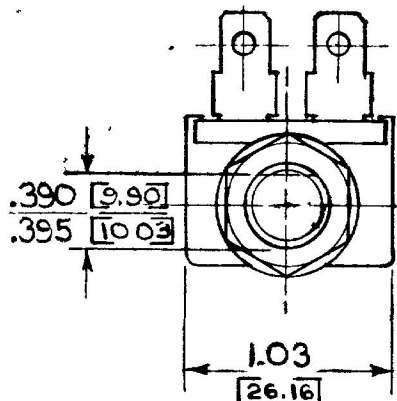
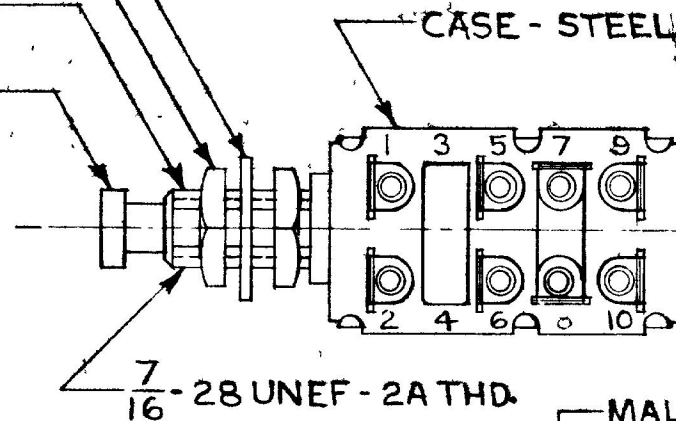
91050

COLE-HERSEE CO. N.P.M. 2-13-73

EX 16596

- LOCK WASHER-STEEL
- Ⓐ HEX NUT, ZINC PLT.  
(2 REQ'D)
- BUSHING-BRASS
- PLUNGER BUTTON-STEEL

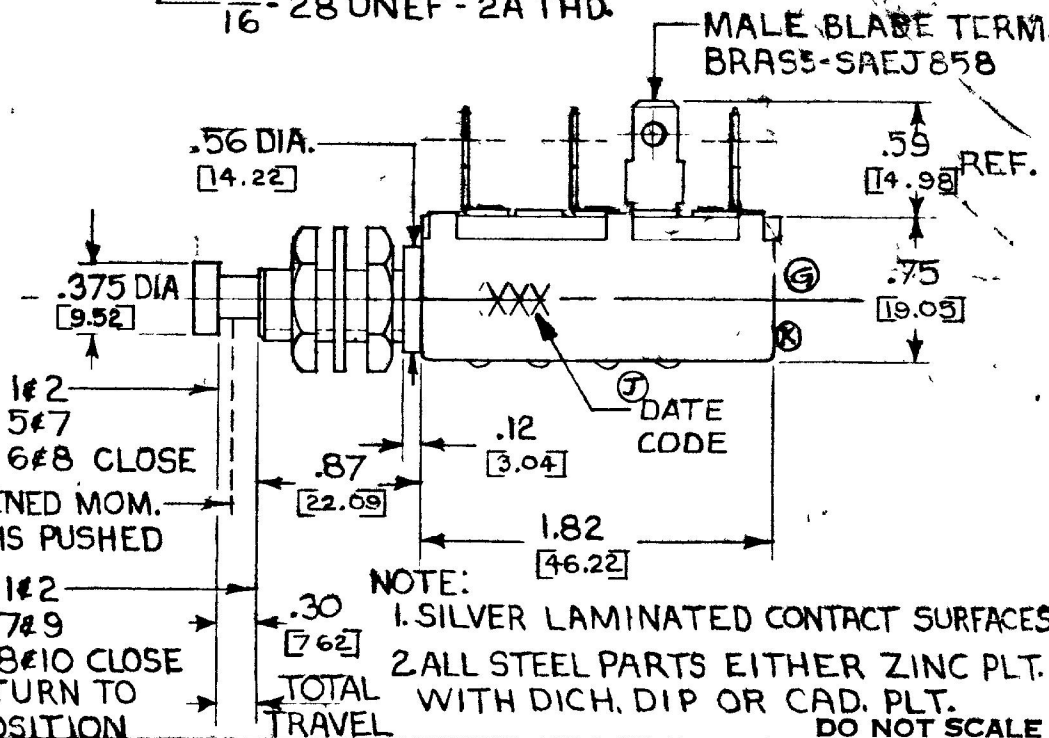
This document contains Proprietary Information of Cole-Hersee Company and is loaned subject to return upon demand and upon the expressed condition that it shall not be used in any way detrimental to the interests of the Cole-Hersee Company. This legend shall appear on any reproduction hereof in whole or in part.



NOTE:  
SWITCH SHOWN IN  
NORMAL POSITION

NOTE: 1/2 OPENED MOM.  
AS PLUNGER IS PUSHED

SPRING RETURN TO  
NORMAL POSITION



NOTE:  
1. SILVER LAMINATED CONTACT SURFACES  
2. ALL STEEL PARTS EITHER ZINC PLT.  
WITH DICH. DIP OR CAD. PLT.  
DO NOT SCALE

LET	WAS	DATE	BY	LET	WAS	DATE	BY	MATERIAL	DRAWN	CHECKED	APPRV D	SCALE	DATE DRAWN	
				K	REPL. OF NO. 3263311	25989	12/14/45	5H		E. A.	REC. 1-9-73	FULL	12-22-72	
				J	ADDED DATE CODE	21317	4-6-81						DATE BLUEPRINT	
				H	REV/20975		12/6/80							
				G	REV/11510		7-30-76							
				I	NO CHANGES		5/3/80							
TOLERANCES FRACTIONAL ± DECIMAL ±.01									<b>COLE-HERSEE COMPANY</b> BOSTON, MASS 02127, U.S.A.				<b>CONTROL SWITCH 91050</b>	