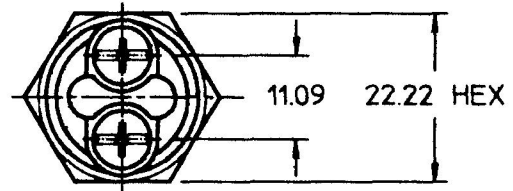
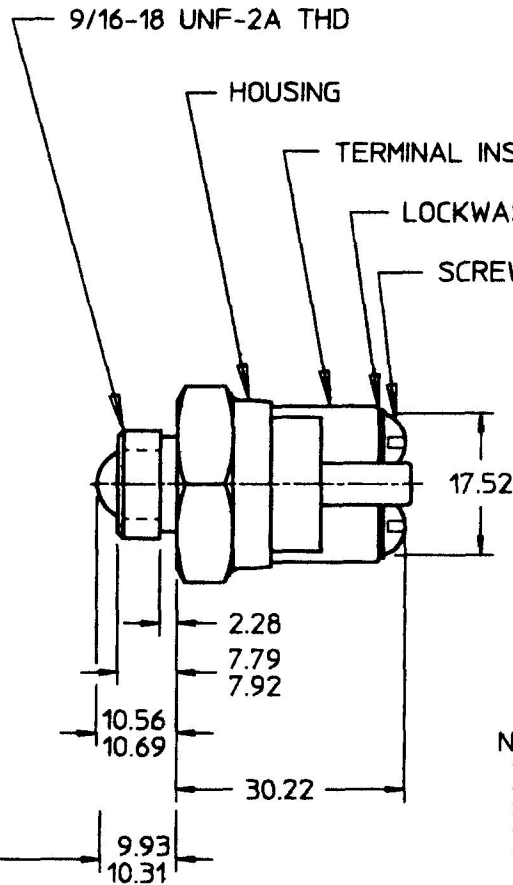


91113

MM	IN
2.28	0.090
7.79	0.307
7.92	0.312
9.93	0.391
10.31	0.406
10.56	0.416
10.69	0.421
11.09	0.437
17.52	0.690
22.22	0.875
30.22	1.190



- NOTES:
1. ALL STEEL PARTS PLATED
 2. ALL DIMENSIONS ARE REFERENCE ONLY
 3. RATING: 20 AMPS @ 12V DC
 4. BALL SHOULD NOT BE DEPRESSED BELOW SURFACE OF HOUSING
 5. SWITCH HOUSING SHALL BE DATE CODED AS TO WEEK & YEAR OF SWITCH MANUFACTURE
 6. SWITCH MUST WITHSTAND DIRECT CURRENT POTENTIAL AT 1500 VOLTS BETWEEN TERMS & TERM TO GROUND IN NORMAL OFF POSITION WITHOUT LEAKAGE AFTER 100,000 CYCLES AT SPECIFIED CURRENT
 7. DIAPHRAGM-BUNA-"N" ASTM SB615A1BE3F2
 8. STATIONARY CONTACTS SOLID SILVER
 9. INSTALLATION TORQUE 40.67 Nm MAX (30 FT LBS MAX)
 10. PARTS MAY BE ASSEMBLED OR SUPPLIED IN A BAG

METRIC

DO NOT SCALE

LET.	WAS	DATE	BY	LET.	WAS	DATE	BY	MATERIAL	DRAWN	CHK	APVD	SCALE	DATE DRAWN
									CF	JMP		1:1	4/13/67
								FINISH	Cole Hersee Co. 20 OLD COLONY AVENUE, BOSTON, MA., U.S.A., 02127				DATE BLUEPRINTED
				S	PUT ON CAD ECN #26936	9/9/97	AJS	TOLERANCES DECIMAL ± ANGLE ±	SW, BALL, NO				91113