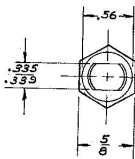
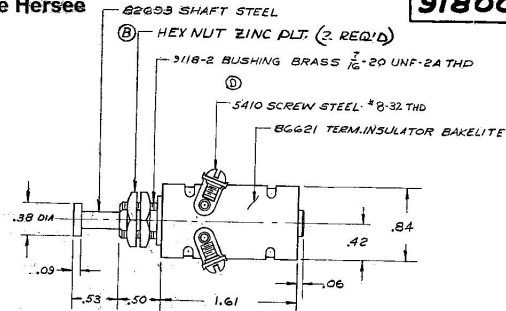


Confidential Property of Cole Hersee

91800

WAS EX-13089



PUSH-PULL FROM  
 "ON" TO "OFF"

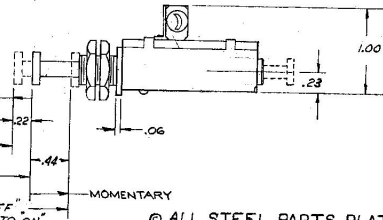
"OFF"

NORMALLY "ON"

"OFF"

MOMENTARY

SPRING RETURN TO "ON"  
 POSITION



© ALL STEEL PARTS PLATED

LET	WAS	DATE	BY	LET	WAS	DATE	BY	MATERIAL	GRADE	CHECKER	APPR'D	SCALE	USED ON	DATE DRAWN
									E.A.	CB		FULL		7-18-61
				D	NOTE	01/07	2/10/61	SA						
				C	NOTE	05239	6/24/72	T.H.						
				R	REV	20975	10-16-80	C						
				N	ISSUED		8-7-61	B						
FINISH									COLE-HERSEE COMPANY BOSTON 27, MASS., U.S.A.					DATE ISSUED
TOLERANCES FRACTIONAL ±.015 DECIMAL ±.010									NAME COMB. PUSH-PULL MOMENTARY DOOR SWITCH					PART NO. <b>91800</b>

COLE-HERSEE CO.