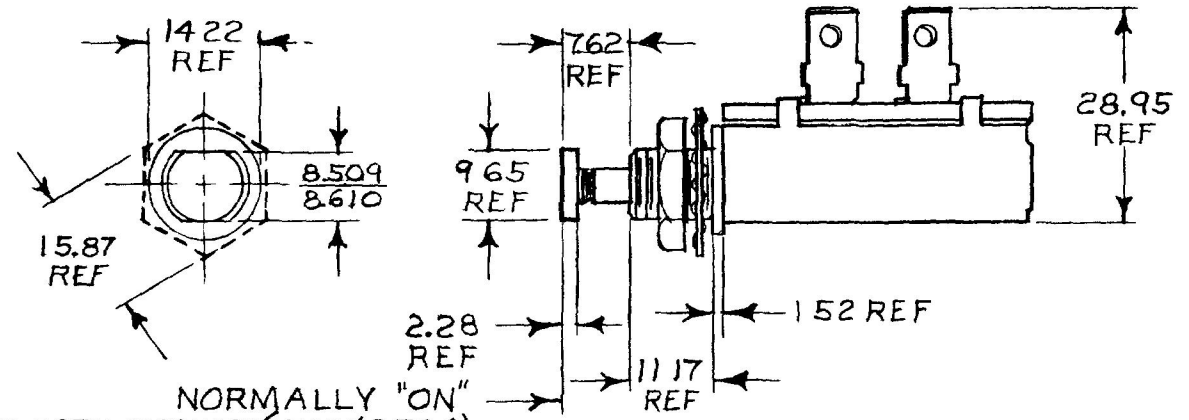
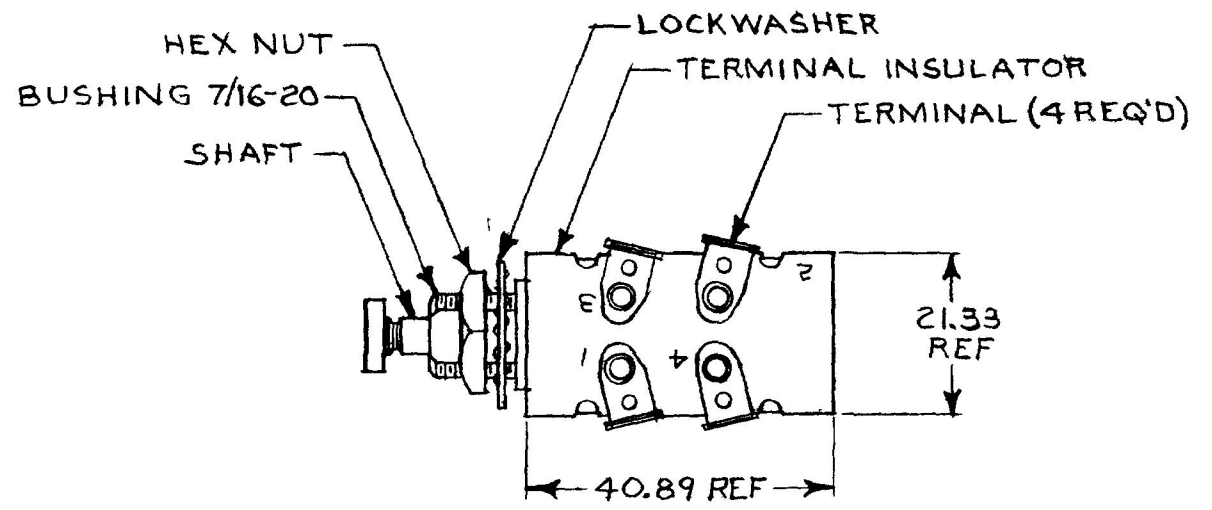


91801

MM IN  
 762 03  
 1.52 06  
 2.28 09  
 3.175 125  
 7.62 30  
 8.509 335  
 8.610 339  
 9.65 38  
 11.17 44  
 14.22 56  
 15.87 625  
 21.33 84  
 28.95 14  
 40.89 1.61



EX-14874

METRIC

NORMALLY "ON"

BREAKS CONTACT AT BOTH CIRCUITS (1 TO 3 & 2 TO 4)  
 AFTER DEPRESSING PLUNGER 3.175 ± 762 AND CONTACT  
 REMAINS BROKEN THRU THE REMAINDER OF FULL TRAVEL

DO NOT SCALE

LET	WAS	DATE	BY	LET	WAS	DATE	BY	MATERIAL	DRAWN	CHECKED	APPRVD	SCALE	DATE DRAWN
								<i>h</i>	EA	<i>74</i>		1:1	6-28-61
								FINISH	 COLE HERSEE CO. BOSTON, MASS. U.S.A.				DATE BLUEPRINT
							<i>h</i>	TOLERANCES					
								DECIMAL ±	SWITCH, MOMENTARY, DPST 91801				
								METRIC ±					

CH 188(4 78)