

COLE-HERSEE CO. TSE #194

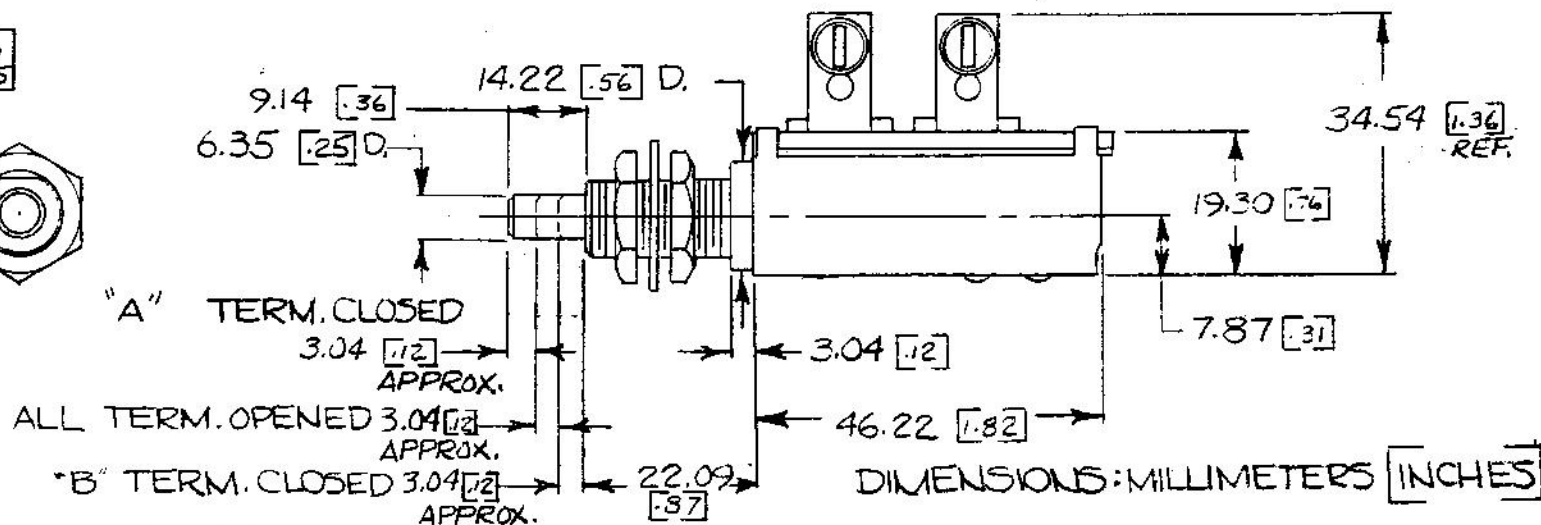
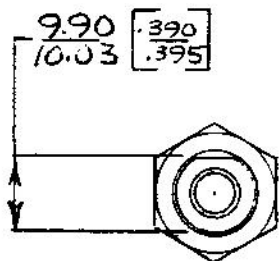
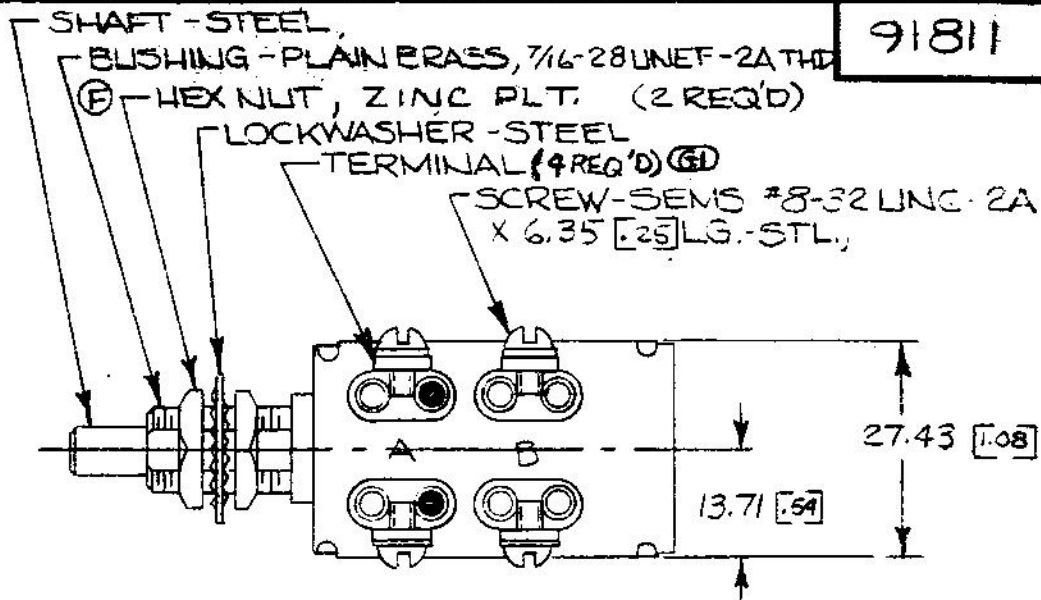
EX-13422

Confidential Property of Cole Hersee

91811

NOTES:

- 1) SWITCH SHOWN IN NORMAL POSITION.
- 2) SILVER LAMINATED CONTACT SURFACES @ A TERMINAL ●
- 3) MELAMINE LINER
- ④ ALL STEEL PARTS PLATED



SPRING RETURN TO NORMAL POSITION

DO NOT SCALE

LET	WAS	DATE	BY	LET	WAS	DATE	BY	MATERIAL	DRAWN	CHECKED	APPR'D.	SCALE	DATE DRAWN
								—	EA			1:1	4-2-63
								FINISH	COLE-HERSEE COMPANY BOSTON, MASS. 02127, U.S.A.				DATE BLUEPRINT
													91811
								TOLERANCES	MOMENTARY SWITCH				91811
								FRACTIONAL ± .015 DECIMAL ± .010					