

MM	IN
0.25	.010
0.38	.015
0.78	.031
0.86	.034
1.01	.040
1.14	.045
2.54	.100
3.30	.130
3.42	.135
6.29	.248
6.40	.252
6.60	.260
6.85	.270
11.04	.435
11.20	.441
16.53	.651
16.66	.656
18.66	.735
19.05	.750
19.30	.760
19.43	.765
28.44	1.120
28.57	1.125

92102

TERMINALS, COPPER, NICKEL PL.

INSULATOR, MOLDED PHENOLIC

CASE, STEEL, CAD PLT.

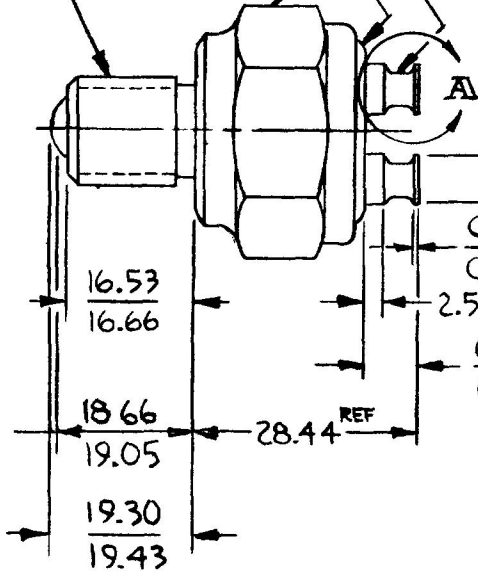
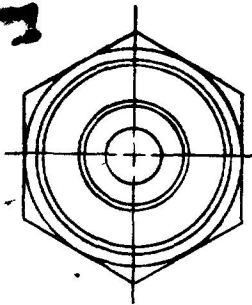
9/16-18UNF-2A

0.25
0.38 R

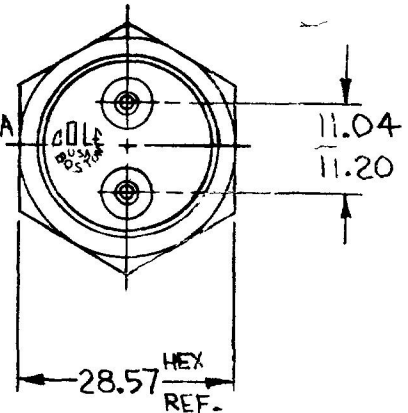
3.30
3.42 DIA.

1.01
1.14 R

VIEW A
(2X)



6.29
6.40 DIA.



"NORMALLY OFF"
SWITCH MUST MAKE
CONTACT WITHIN
THIS RANGE.

NOTE:

- 1 SILVER LAMINATED CONTACT SURFACES
2. 3.17K_g ± 0.90 K_g [7LB ± 2LB] SPRING PRESSURE WHEN DEPRESSED FLUSH WITH HOUSING.
3. INSTALLATION TORQUE 40.67 N·m [30 FT. LBS.] MAX.
- 4 SWITCH HOUSING SHALL BE CODE DATED AS TO WEEK & YEAR OF SWITCH MANUFACTURE.
- 5 BALL SHOULD NOT BE DEPRESSED BELOW SURFACE OF HOUSING

DO NOT SCALE

LET	WAS	DATE	BY	LET	WAS	DATE	BY	MATERIAL	DRAWN	CHECKED	APPRV'D	SCALE	DATE DRAWN
								— H —	EA	14		1=1	6-7-62
								FINISH	COLE-HERSEE COMPANY BOSTON, MASS 02127, USA				DATE BLUEPRINT
								— H —					
								TOLERANCES	NEUTRAL SAFETY SW.				92102
								FRACTIONAL ±					
								DECIMAL ±0.25					