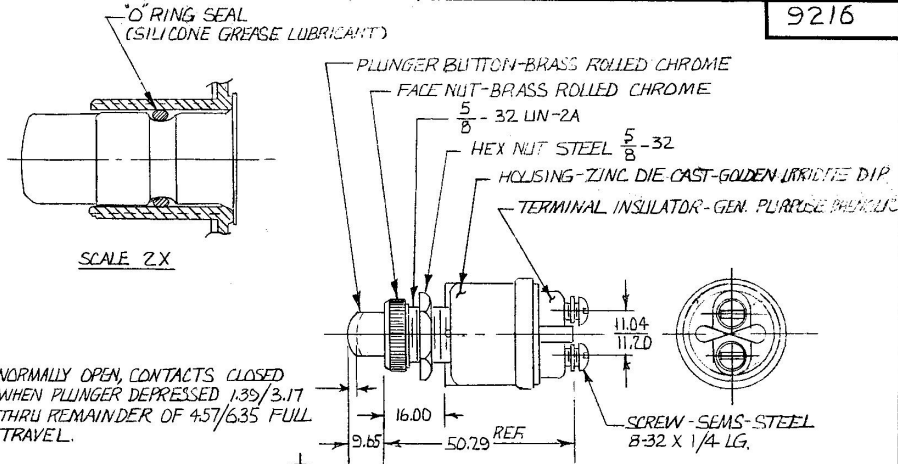


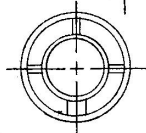
9216



SCALE 2X

NORMALLY OPEN, CONTACTS CLOSED
WHEN PLUNGER DEPRESSED 1.39/3.17
THRU REMAINDER OF 4.57/6.35 FULL
TRAVEL.

SWITCH SHOWN IN
"OFF" POSITION



METRIC Ⓟ FRONT VIEW
OF CASE

NOTE:

1. O-RING SEALED AT MOUNTING BUSHING ONLY.
2. SILVER CONTACT SURFACES.
3. ALL EXTERIOR METAL PARTS MAY BE CAD. OR ZINC PLT. (CLEAR DICHROMATE DIP) UNLESS NOTED.

Confidential Property of Cole Hersee

DO NOT SCALE

LET	WAS	DATE	BY	LET	WAS	DATE	BY	MATERIAL	DRAWN	CHECKED	APPR'D.	SCALE	DATE DRAWN
								FINISH	JP	T		1-1	5-29-58
								TOLERANCES	COLE-HERSEE COMPANY BOSTON, MASS. 02127, U.S.A.				DATE BLUEPRINT
							FRACTIONAL ±	INDUSTRIAL START SWITCH					9216
							DECIMAL ±0.25						

PA ADDED/2357/8-17-87 L-2
N REDRAWN & ADD METRIC 9/6/77 DK

MMS	IN
0.025	0.010
1.39	0.55
3.17	1.25
4.57	1.80
6.35	2.50
9.65	3.80
11.04	4.35
11.70	4.47
16.00	6.30
50.29	1.980

COLE-HERSEE CO.