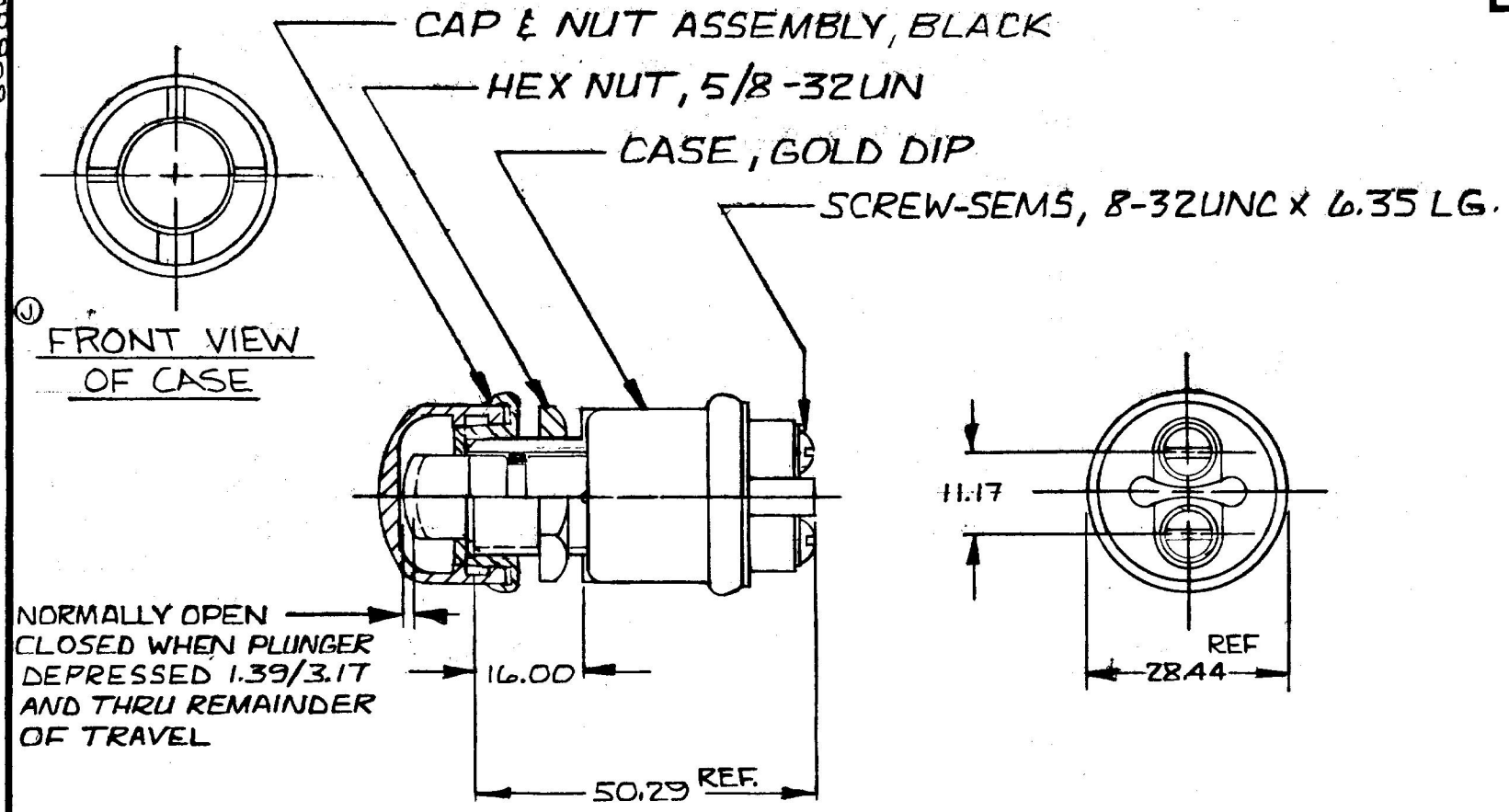


MM	FR
.25	.010
6.35	.250
11.17	.440
16.00	.630
28.44	1.120
50.29	1.980


9216-03



- NOTES:
1. O-RING SEALED AT MOUNTING STEM
 2. SILVER CONTACT SURFACES
 3. ALL STEEL PARTS PLATED

METRIC

DO NOT SCALE

LET.	WAS	DATE	BY	LET	WAS	DATE	BY	MATERIAL	DRAWN	CHECKED	APPR'VD.	SCALE	9216 W/ CAP & NUT SA	DATE DRAWN
								#	CF	RJZ		1:1		3-28-68
								FINISH	 20 OLD COLONY AVENUE, SOUTH BOSTON, MA, U.S.A. 02127					DATE BLUEPRINT
								#						
				J	ADDED 123576	9-16-87	LZ	TOLERANCES	SWITCH MOM, N.O.					9216-03
			H	REDRAWN NO CHANGE	9-13-82	(R)	DECIMAL ±							
								METRIC ± .25						

CH-188(4-78)