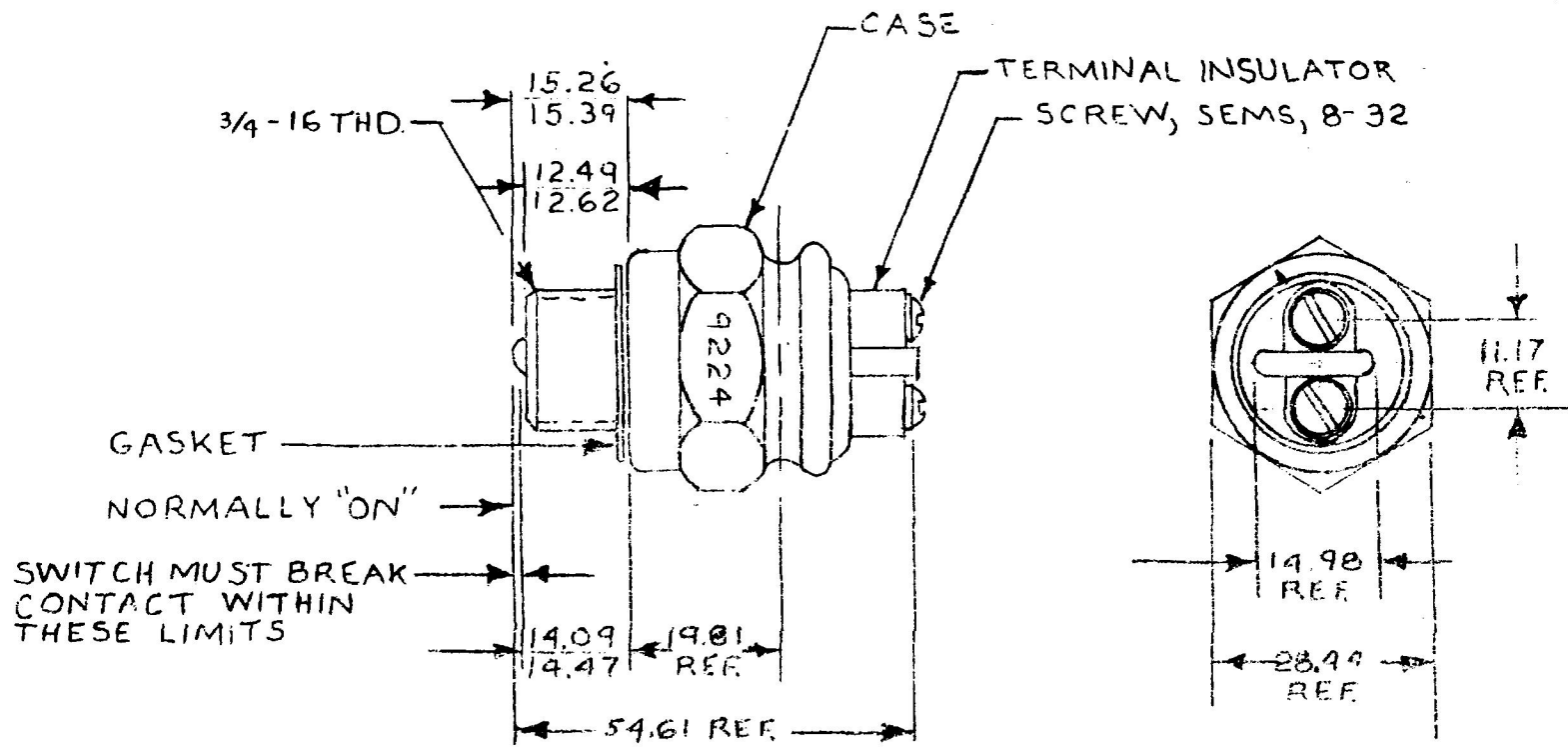


9224

MM IN  
 11.17.440  
 12.19.480  
 12.49.492  
 12.62.497  
 14.09.555  
 14.47.570  
 14.98.590  
 15.26.601  
 15.39.606  
 19.81.780  
 28.44.1120  
 54.61.2.150



- NOTES:
1. SILVERED CONTACT SURFACES.
  2. 22.24 - 31.13N [5-7 LBS.] SPRING PRESSURE AT CONTACT OPENING.
  3. ACTUATING BALL SHOULD NOT BE DEPRESSED IN USE BEYOND 12.19 FROM MOUNTING SURFACE.
  4. INSTALLATION TORQUE 54.23 Nm [40 FT. LBS.] MAX.
  5. SWITCH HOUSING SHALL BE CODE DATED AS TO WEEK & YEAR OF SWITCH MANUFACTURE.
  6. ALL STEEL PARTS PLATED
  7. RATING: 3 AMPS @ 24VDC  
5 AMPS @ 12VDC

METRIC

DO NOT SCALE

REV	DATE	BY	WAS	DATE	BY	MATERIAL	DRAWN	SCALE	DATE
							AA	1:1	8-21-58
							Cole Hersee Co.		
		R	REDRAWN	9-13-58			SWITCH, BALL, NO		9224