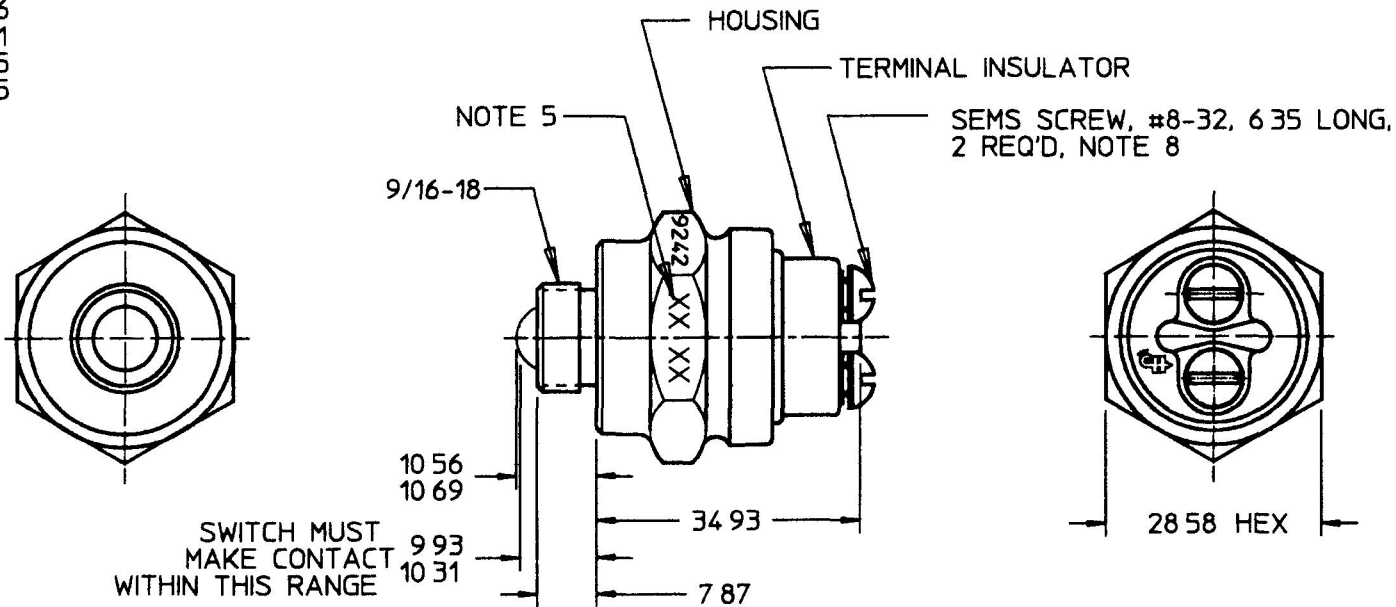


9242

MM	IN
6 35 0	250
7 84 0	310
9 93 0	391
10 31 0	406
10 56 0	416
10 69 0	421
28 58 1	125
34 93 1	125



NOTES

- 1 ALL DIMENSIONS ARE REFERENCE ONLY UNLESS NOTED OTHERWISE
- 2 ALL STEEL PARTS PLATED
- 3 INTERIOR GASKET & SEAL BUNA-N
- 4 BALL SHOULD NOT BE DEPRESSED BELOW SURFACE OF HOUSING
- 5 SWITCH HOUSING SHALL BE MARKED WITH COLE HERSEE PART NUMBER & DATE CODED AS TO WEEK & YEAR OF MANUFACTURE
- 6 INSTALLATION TORQUE. 40.67 Nm (30 FT LBS)
- 7 RATING 35 AMPS @ 12V DC, 20 AMPS @ 24V DC
- 8 TERMINAL SCREWS & LOCKWASHERS ASSEMBLED
- 9 SILVER LAMINATED CONTACT SURFACES

METRIC

DO NOT SCALE

LET	WAS	DATE	BY	LET	WAS	DATE	BY	MATERIAL	DRAWN	CHK	APVD	SCALE	DATE DRAWN
									EA	JMP		11	8/7/59
								FINISH	<b>Cole Hersee Co.</b> 20 OLD COLONY AVENUE, BOSTON, MA, U.S.A. 02127				DATE BLUEPRINTED
								TOLERANCES	SW, BALL, NO				9242
				R	PUT ON CAD ECN 27040	10/10/97	DPS	DECIMAL ± ANGLE ±					