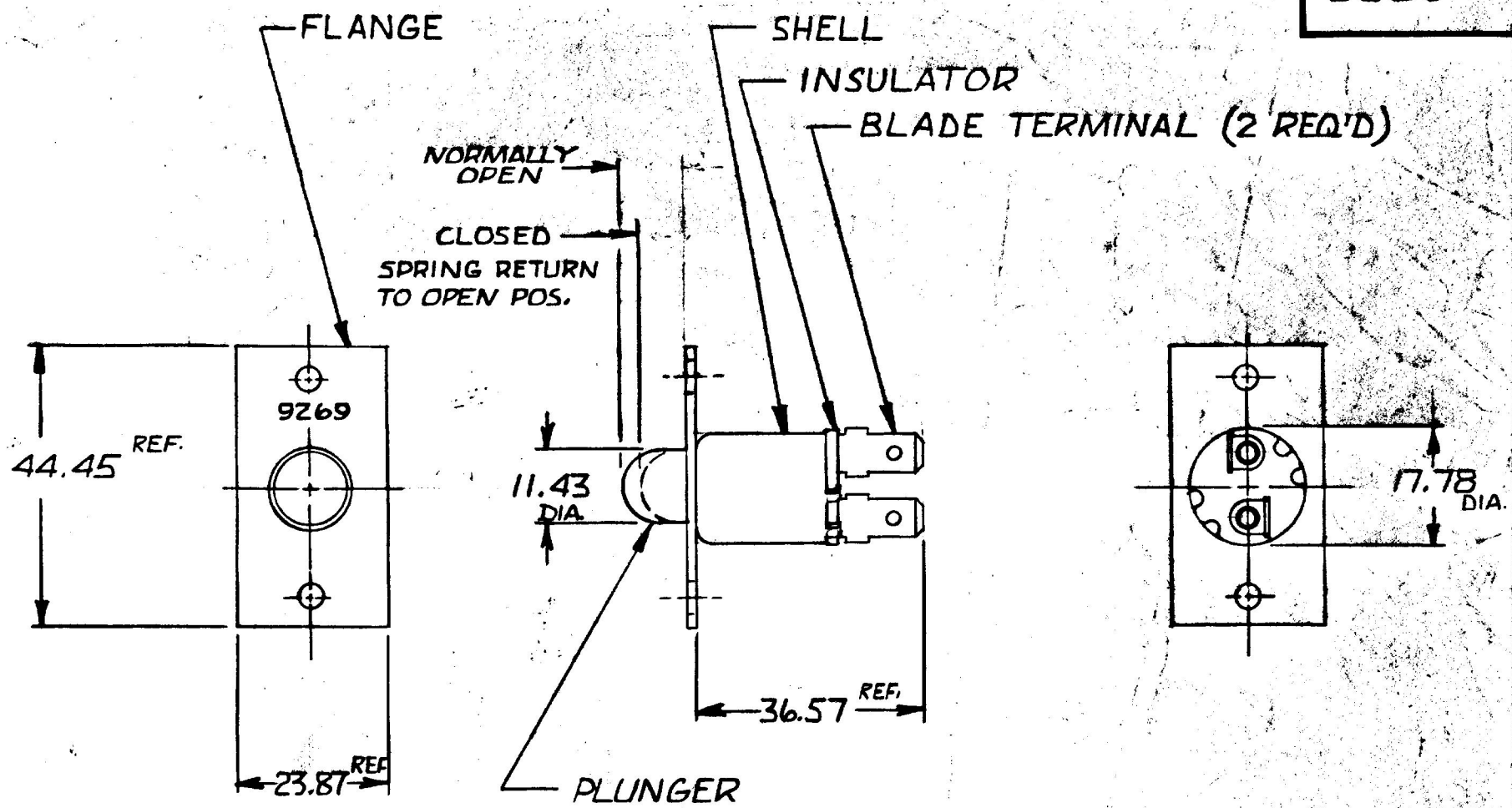


FR	IN
.25	.010
11.43	.450
17.78	.700
23.87	.940
36.57	1.44
44.45	1.750

9269



NOTE:  
1. ALL STEEL PARTS PLATED

DO NOT SCALE

LET.	WAS	DATE	BY	LET	WAS	DATE	BY	MATERIAL	DRAWN	CHECKED	APPRVD.	SCALE	DATE DRAWN
								—H—	EA	RJA		1:1	2-9-60
								FINISH	 Cole Hersee Co. <small>29 OLD COLONY AVENUE, SOUTH BOSTON, MA, U.S.A. 02127</small>				DATE BLUEPRINT
								—H—					
								TOLERANCES	<b>SAFETY LOCK SWITCH</b>				<b>9269</b>
								DECIMAL ±.010					
								METRIC ±.25					
								REVISED REDRAWN 21149 9-30-80					

CH-188(4-78)