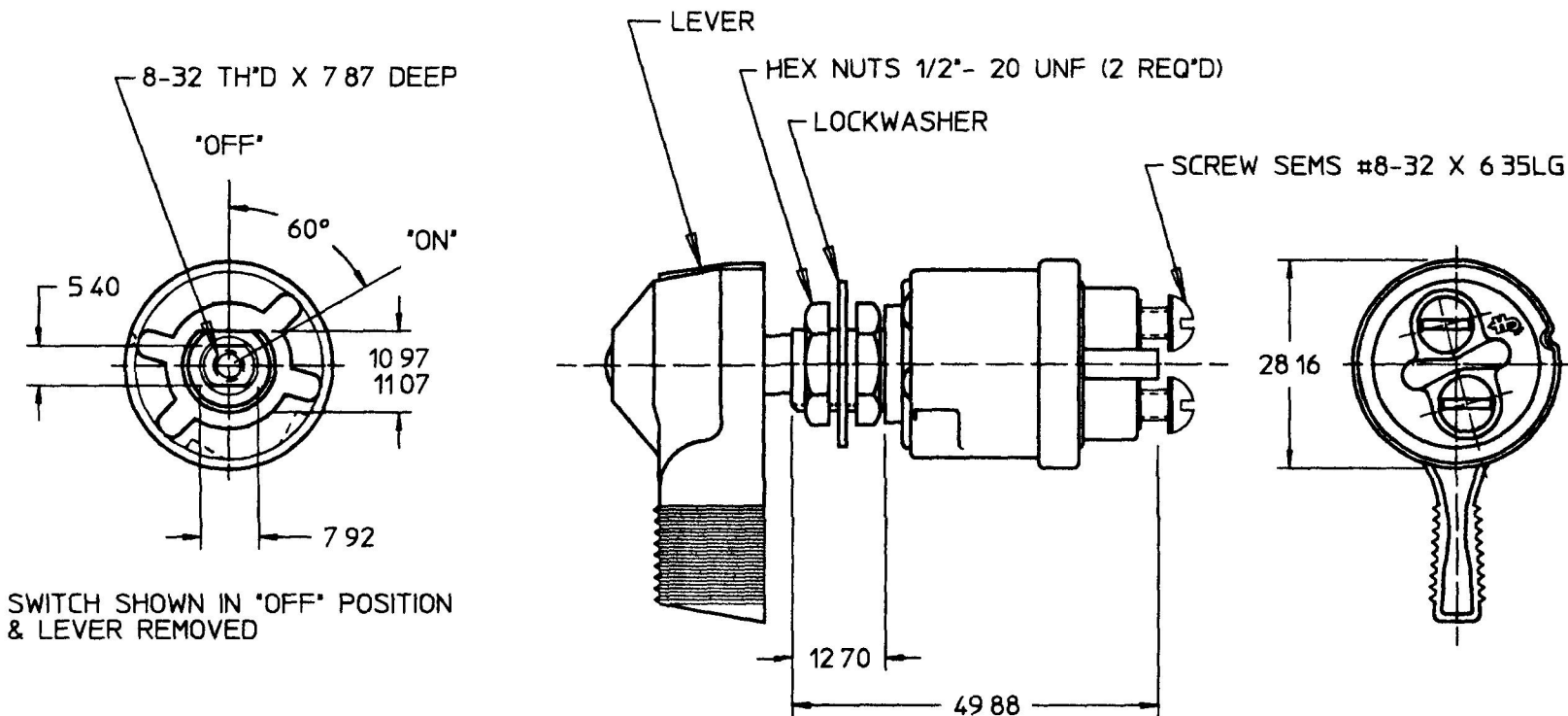


9500-04

MM	IN
5 40	0 213
7 92	0 312
10 97	0 432
11 07	0 436
12 70	0 500
28 16	1 109
49 88	1 963



SWITCH SHOWN IN 'OFF' POSITION & LEVER REMOVED

METRIC

FOR MARINE TYPE, SEE #M-497

- NOTES  
 1 10 AMPS @ 12 VDC  
 2 ALL STEEL PARTS PLATED  
 3 O RING SEAL IN BUSHING

DO NOT SCALE

LET	WAS	DATE	BY	LET	WAS	DATE	BY	MATERIAL	DRAWN	CHK	APVD	SCALE		DATE DRAWN
									DL	AF		11	EX26248-A	5/7/96
								FINISH	<b>Cole Hersee Co.</b> 20 OLD COLONY AVENUE, BOSTON, MA, U.S.A. 02127				DATE BLUEPRINTED	
								TOLERANCES DECIMAL ± ANGLE ±	SW. IGNITION 2 POS.				9500-04	
					ISSUED	5/16/96	AF							