

**Revision Control Record**

Rev.	Description of Change	ECN No.	Date
C	PUT ON AUTOCAD 2K	01405	7/16/01
D	NOTE CHANGE	01619	10/26/01
E	WAS NICKEL PLATED	08784	12/15/08

KEYS, BRASS (E)  
NOTE 2

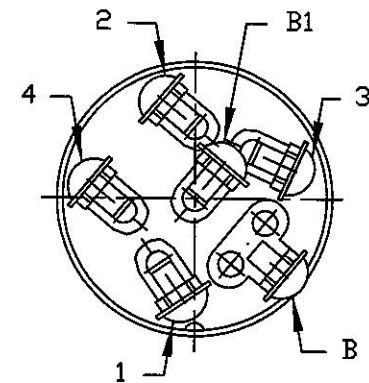
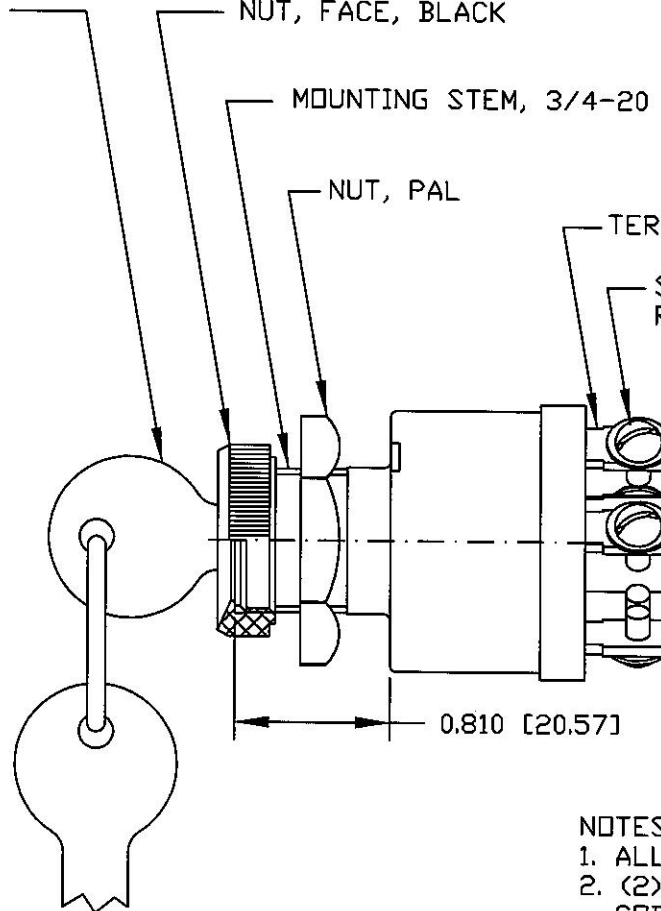
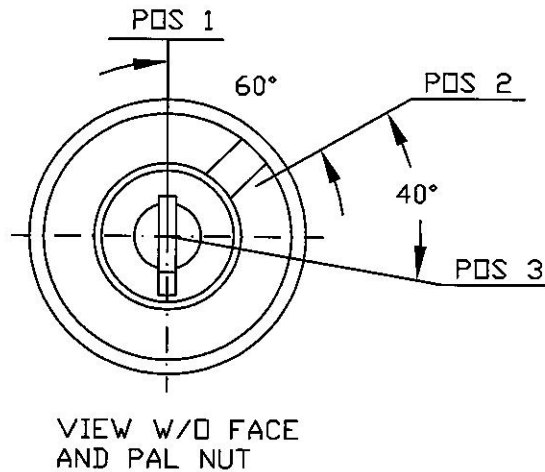
NUT, FACE, BLACK

MOUNTING STEM, 3/4-20

NUT, PAL

TERMINALS, SCREW, 6 REQ'D

SCREW, SEMS, #8-32, 6 (D) REQ'D



POS 3	B & 3, B1 & 4	
POS 2	OFF	NOTE 3
POS 1	B & 1, B1 & 2	NOTE 3

**LEGEND**

**Tolerances** Unless otherwise specifically noted, the following are default tolerances:  
 \* 2-place Decimal Dimensions +/- .02"  
 \* 3-place Decimal Dimensions +/- .005"  
 \* Angular Dimensions +/- 1.0 Deg.  
 \* Metric: Refer to equivalent English Dimension Tolerance  
 >>> NOTE: All tolerances are Non-Cumulative. <<<

**Dimensional Units** All dimensions are expressed in inches except those shown in brackets (xxx) are expressed in millimeters

"REF." or an Asterisk (\*) = Non-Toleranced Reference Dimension, shown for clarification purposes only.

**PROPRIETARY INFORMATION** This Engineering Drawing, and the information contained herein, is proprietary to Cole Hersee Company and may not be disclosed, re-produced, or in any other way transferred or communicated to any other party without the express written consent of an authorized representative of Cole Hersee Company.

**DESIGN CONTROL** It is the responsibility of the Individual using / referencing this drawing to assure that the noted design revision level agrees with the revision level of the Controlled Document (Master Drawing). This is a NON-CONTROLLED DOCUMENT unless otherwise specifically noted.

DO NOT SCALE - Dimensional variation may occur during printing / reproduction.

**Key for Special Characteristics:**



Critical Characteristic, relating to Safety and/or Regulatory Compliance



Significant Characteristic relating to Process Control (SPC)



Control Dimension relating to Form - Fit - Function as defined by Cole Hersee Company and/or the Customer

(Note that the identification of any Characteristics as being "Special" does not alter the requirement that ALL specified dimensions & tolerances must be met.)



**Cole Hersee Co.**

20 Old Colony Ave., South Boston, MA, 02127  
Phn: 617-268-2100 Web: www.colehersee.com

Description: SW, IGN, 3 POS

Drawing / Part No.: **95015-02**

Current Rev. **E**

Used On or Ref.: EX24395

Scale: 1:1

Drawn By: MJT

Date Drawn: 10/21/93

Responsible Engineer: N/A

Pg. 1 of 1