

95033

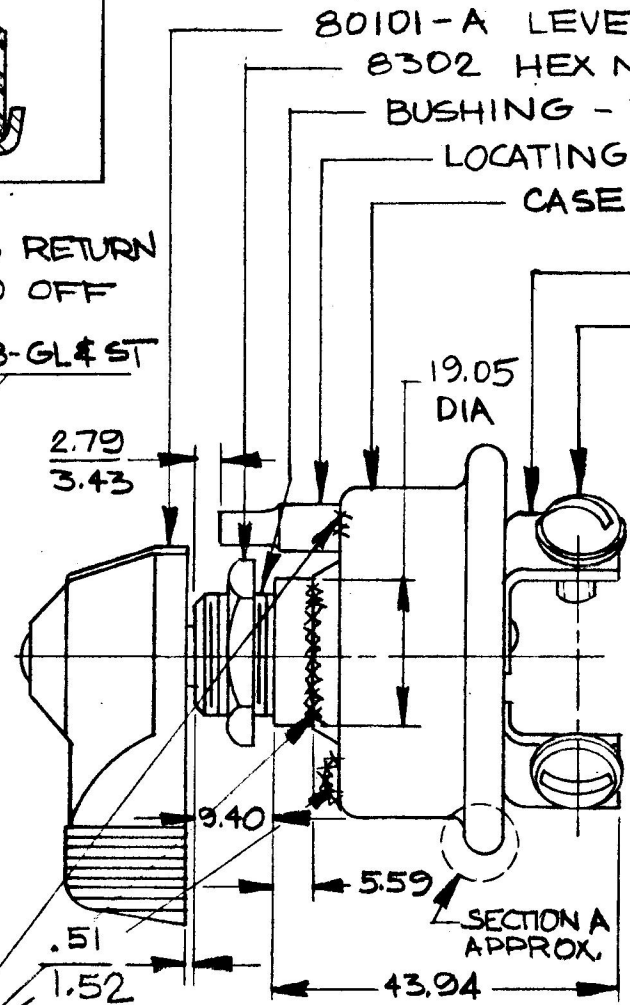
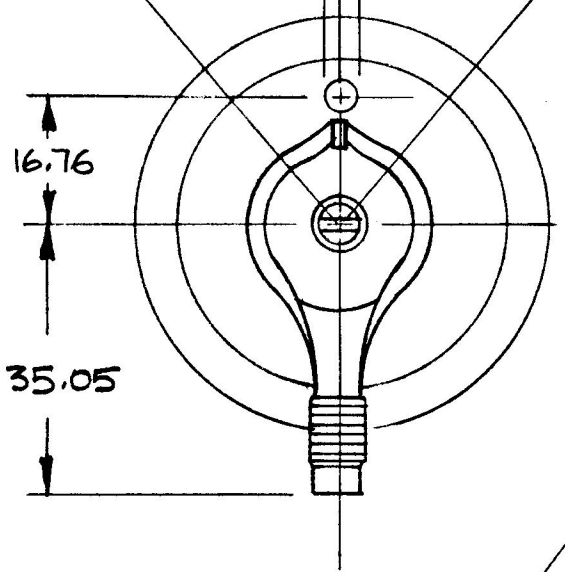
MM	IN
.51	.020
1.52	.060
2.79	.110
3.43	.135
4.83	.19
5.59	.22
9.40	.37
16.76	.66
35.05	1.38
43.94	1.73
52.58	2.07

GASKET NEOPRENE OR EQUIVALENT

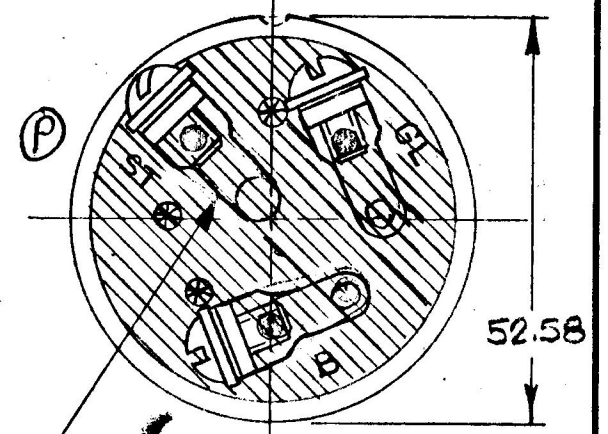
VIEW OF SECTION A SCALE 2=1

SPRING RETURN TO OFF OFF SPRING RETURN TO OFF

B & GL 40° 40° B-GL & ST



80101-A LEVER
8302 HEX NUT
BUSHING - 5/8 - 32 - 2ATHD
LOCATING PIN
CASE
TERMINAL - 3 REQ'D
WASHER HD. SCREW #10-32THD
W/ SHAKEPROOF L'WASHER
3 REQ'D



METRIC

LEGEND	
ST	START
GL	GLOW
B	BATTERY

6. ARC DEFLECTING LIFT OFF FEATURE

NOTES: 1. ALL STEEL PARTS PLATED @

- 2. 1/8" RING SEALED AT MTG. BUSHING
 - 3. ● DENOTES SILVER CONTACT SURFACES
 - 4. IDENTIFICATION LETTERS HOT STAMPED
 - 5. SILVER CADMIUM OXIDE CONTACT POINTS
- DO NOT SCALE

LET.	WAS	DATE	BY	LET	WAS	DATE	BY	MATERIAL	DRAWN	CHECKED	APPR'D	SCALE	DATE DRAWN
								N/A	EA		N/A	FULL	3-19-65
								FINISH					DATE BLUEPRINT
				P	FCN 99593	4/21/64	JF	N/A					
				N	CAD OR ZINC / 25239	11/29/92	JH	TOLERANCES					
				M	REDRAWN	8/10/89	RO	DECIMAL ± N/A					
								METRIC ± N/A					

CH Cole Hersee Co.
20 OLD COLONY AVENUE SOUTH BOSTON, MA U.S.A. 02127

SWITCH, HEAT & START 95033

CH-188(4-78)