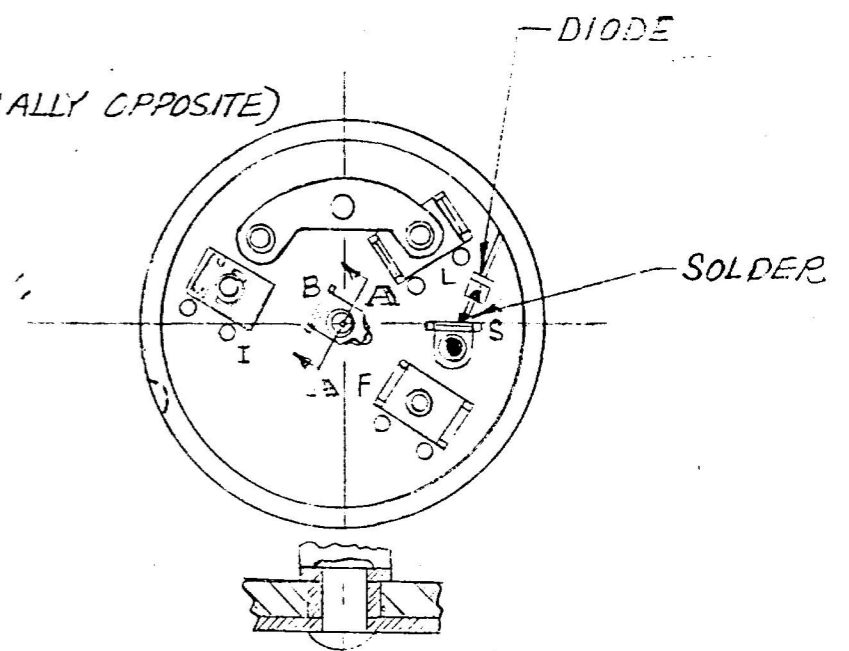
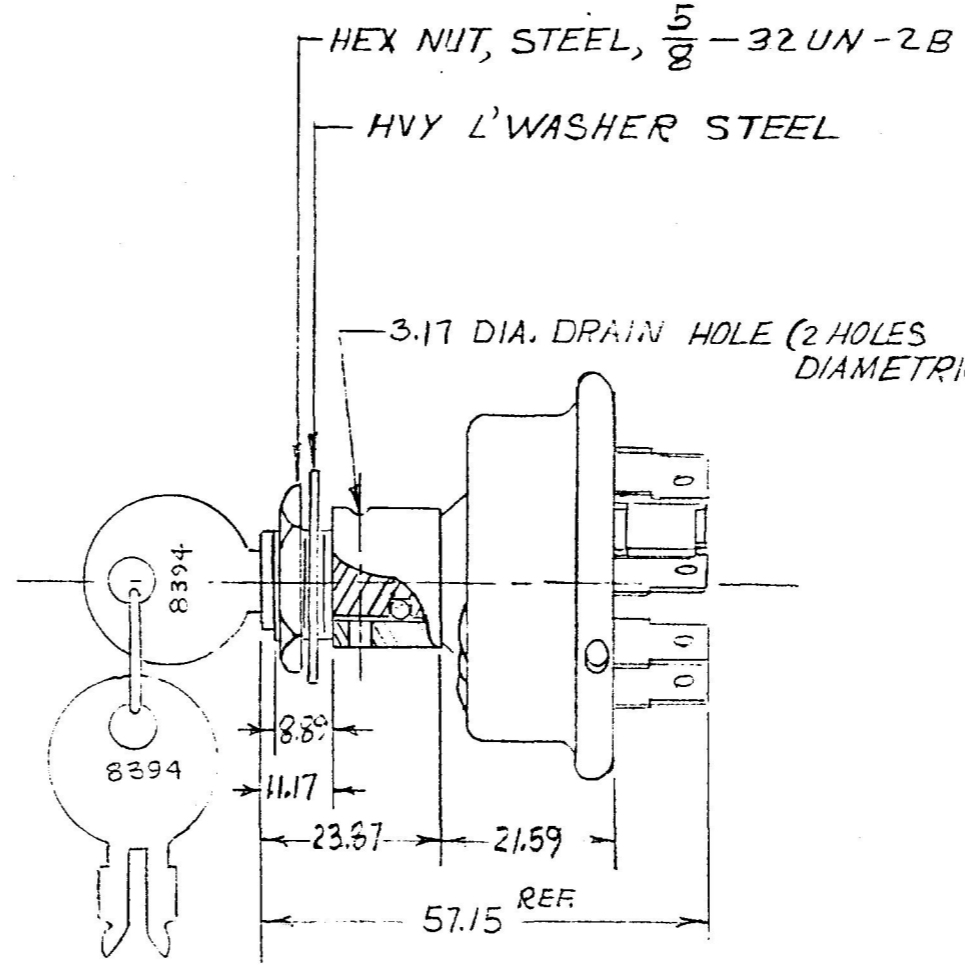
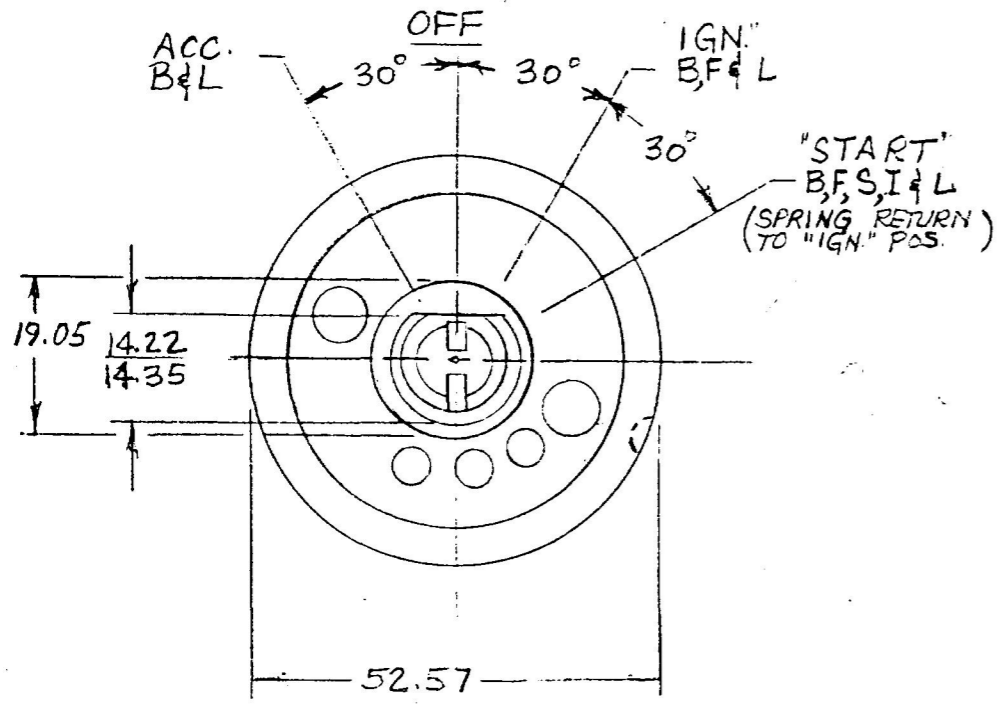


MM.	IN.
0.25	.010
3.17	.125
6.35	.250
9.52	.375
12.70	.500
15.87	.625
19.05	.750
22.22	.875
25.40	1.000
28.57	1.125
31.75	1.250
34.92	1.375
38.10	1.500
41.27	1.625
44.45	1.750
47.62	1.875
50.80	2.000
53.97	2.125
57.15	2.250

APPLICABLE SAE STANDARD OR RECOMMENDED PRACTICE SAE J259

95037

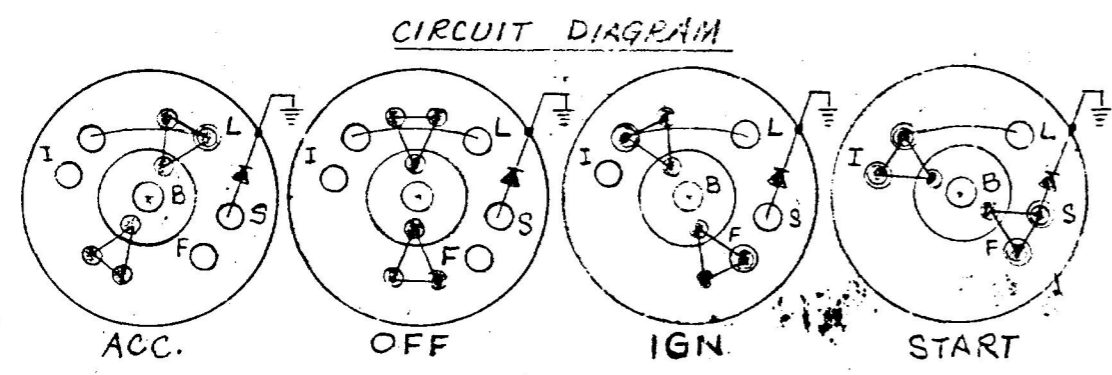
COLE-HERSEE CO. NPM 4-7-65 EX 13918



SECTION A-A FOR POSITIVE GROUND ONLY (CASE GROUND SIDE OF SWITCH)

NOTES:

1. Ⓞ DENOTES SILVER LAM. RIVET
2. MELAMINE LINER
3. ALL SHOULDER RIVETS
4. ALL TERMINALS BEAGE
5. FOR TO RMP 12 VOLT LOAD FROM 'B' TO 'S'
6. 'O' RING SEALED AT MTG BUSHING
7. ALL STEEL PARTS PLATED.



METRIC

LEGEND	
I	IGNITION (FULL VOLTAGE)
L	LIGHT SWITCH
B	BATTERY
S	START
F	FUEL & IGN. (THRU EXTERNAL RESISTANCE)

LET	WAS	DATE	BY	LET	WAS	DATE	BY	MATERIAL	DRWN	CHECKED	APPR'D.	SCALE	DO NOT SCALE	
													DATE DRAWN	3-23-65
													DATE BLUEPRINT	
										COLE-HERSEE COMPANY JSTON, MASS. 02127, U.S.A.			IGNITION & START SW.	
										TOLERANCES FRACTIONAL DECIMALS			95037	