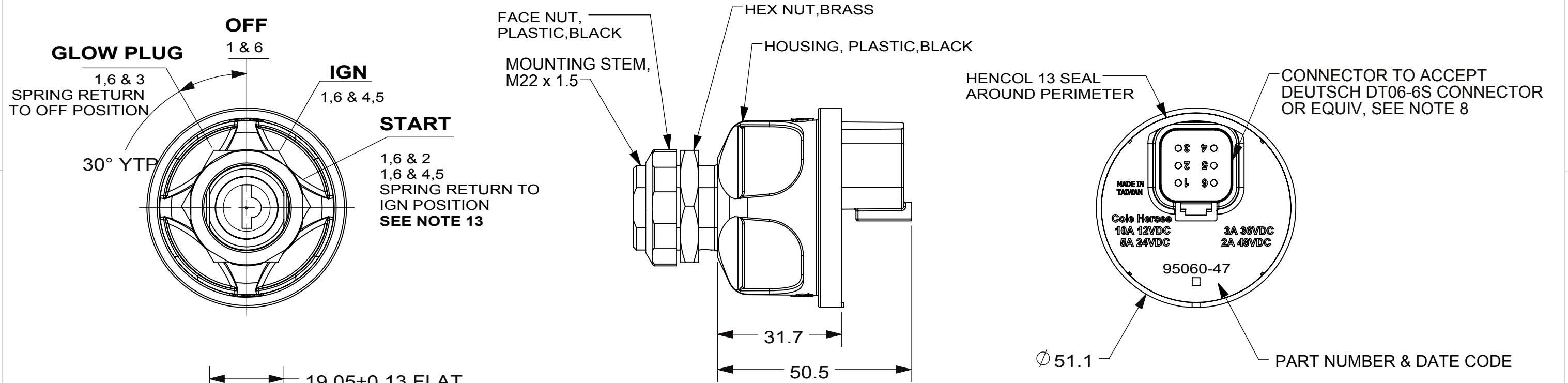
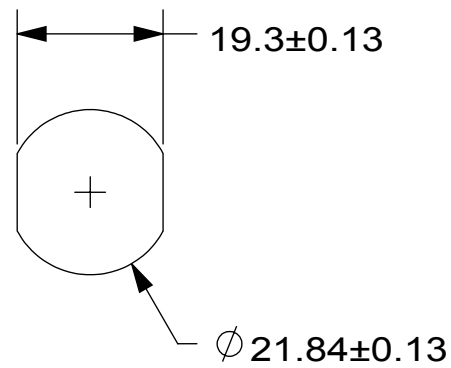


THIS DRAWING AND THE INFORMATION CONTAINED WITHIN IT ARE CONFIDENTIAL AND MAY NOT BE COPIED OR DISCLOSED WITHOUT THE WRITTEN PERMISSION OF LITTELFUSE.

REVISIONS				
ZONE	REV.	DESCRIPTION	DATE	APPROVED
	A	EC #516142-INITIAL RELEASE DRAWING	2016/06/28	JT



2 DOUBLE BITTED BOOTED KEYS RINGED, BLACK, SINGLE KEY CODE 701, SEE NOTES 9 & 10



PANEL MOUNTING HOLE DIM.

- NOTES:
- 1 PLACE(X.X) TOLERANCES PLUS OR MINUS 0.38mm
  2. CONTACT AREA SEALED TO IP67
  3. BACK OF SWITCH SEALED WHEN MATING CONNECTOR IS INSTALLED
  4. FOR RESISTIVE LOAD RATING SEE CHART OR BACK OF SWITCH
  5. FOR CONNECTOR PIN IDENTIFICATION SEE CHART
  6. MATERIALS: HOUSING BLACK THERMOPLASTIC  
INTERNAL CONTACTS COPPER
  7. SWITCH TESTED TO SAE J259
  8. ALSO MATES WITH LITTELFUSE'S 31101 CONNECTOR ASSEMBLY
  9. KEY BOOT FITS OVER FACE NUT
  10. SWITCH SUPPLIED WITH SINGLE KEY CODE 701
  11. SWITCH MUST NOT BREAK CIRCUIT OR BE DAMAGED IF KEY IS TORQUED TO 1.69 Nm [15 IN-LBS]
  12. LIFE 25,000 CYCLES
  13. START LOCKOUT FEATURE: SWITCH MUST GO TO "OFF POSITION" BEFORE THE START CIRCUIT CAN BE RE-ENERGIZED.

PIN NUMBER	CIRCUIT	12VDC RESISTIVE LOAD
2	START	5 AMPS
3	GLOW PLUG	10 AMPS
4 & 5	IGNITION	10 AMPS
1 & 6	BATTERY	

PIN 1 & 6 CONNECTED TOGETHER INTERNALLY  
PIN 4 & 5 CONNECTED TOGETHER INTERNALLY

DIMENSIONS ARE SHOWN IN MILLIMETERS. DIMENSIONS AND TOLERANCES ARE DEFINED ACCORDING TO ANSI/ASME Y14.5-1994.

- DENOTES PRODUCTS CRITICAL CHARACTERISTICS
- CPK DENOTES CPK DIMENSIONS MINIMUM CPK VALUE
- ST DENOTES A CHARACTERISTIC THAT PROVIDES AN INDICATION OF PROCESS PERFORMANCE. PROCEDURE FOR MEASUREMENT AND TRACKING TO BE DEFINED IN LITTELFUSE INSPECTION INSTRUCTIONS
- CP DENOTES CP DIMENSIONS, -MINIMUM CP VALUE MUST BE WITHIN THE DIMENSIONAL LIMITATIONS SHOWN ON DRAWING AND INITIALLY LOCATED TO ALLOW FOR MAXIMUM TOOL LIFE

TOLERANCES UNLESS OTHERWISE SPECIFIED (REF. ISO 2768-M)

DIMENSION	0.5 - 3	3 - 6	6 - 30	30 - 120	120 - 400	ANGLE
TOLERANCES	±0.1	±0.1	±0.2	±0.3	±0.5	±1°

NAME	DATE
DRAWN J. LI	2016/06/27
CHECKED JT	2016/06/28

**Littelfuse**  
Expertise Applied | Answers Delivered  
No. 6 Xinghai Street, Suzhou Industry Park, China  
Phone +86 512 6761 3189 Fax +86 512 6761 1489

TITLE  
**SW, ROT, 4POS, PLSTC**

THIRD ANGLE PROJECTION

DO NOT SCALE DRAWING

SIZE B DWG. NO. **95060-47** REV. A

SCALE 1:1 SHEET 1 OF 1