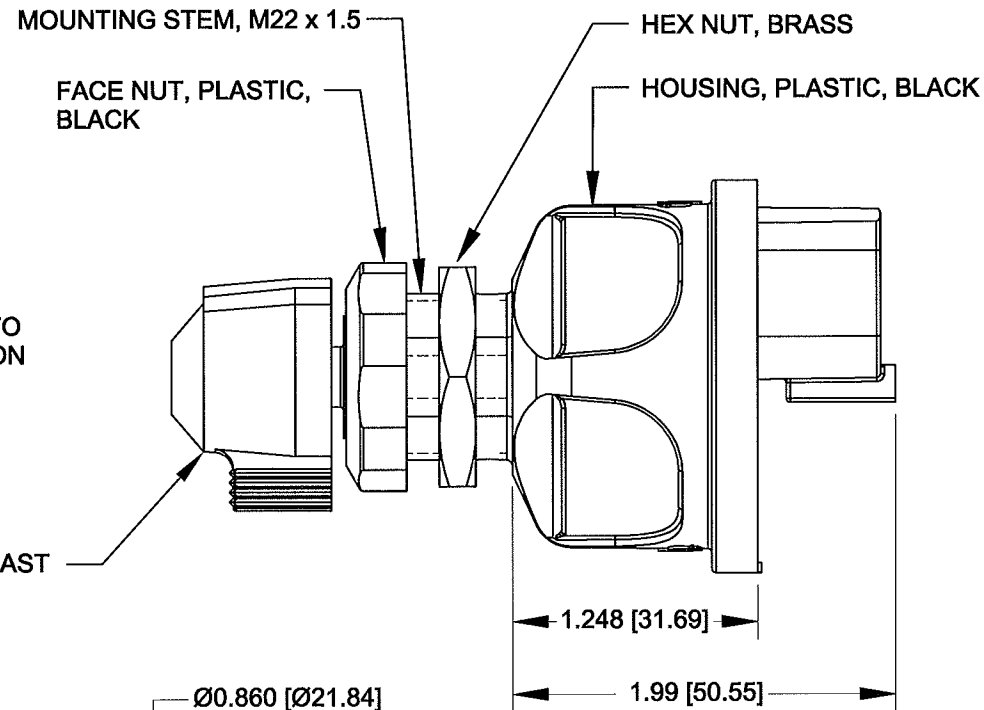
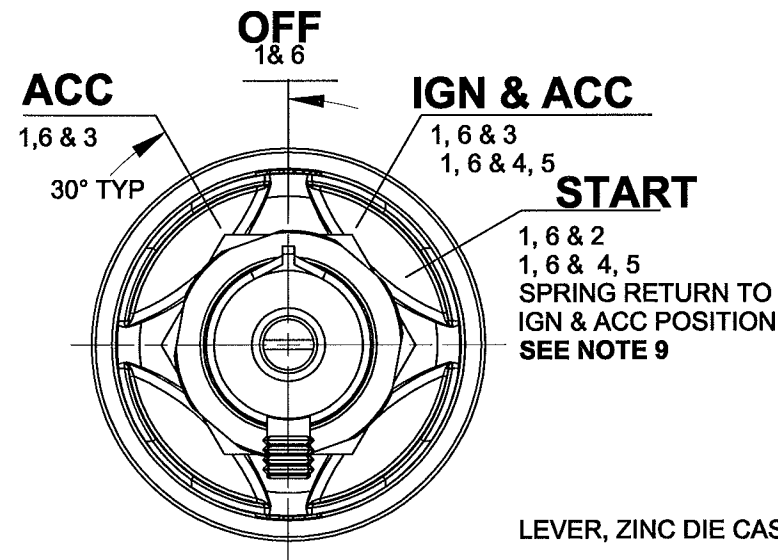


4

3

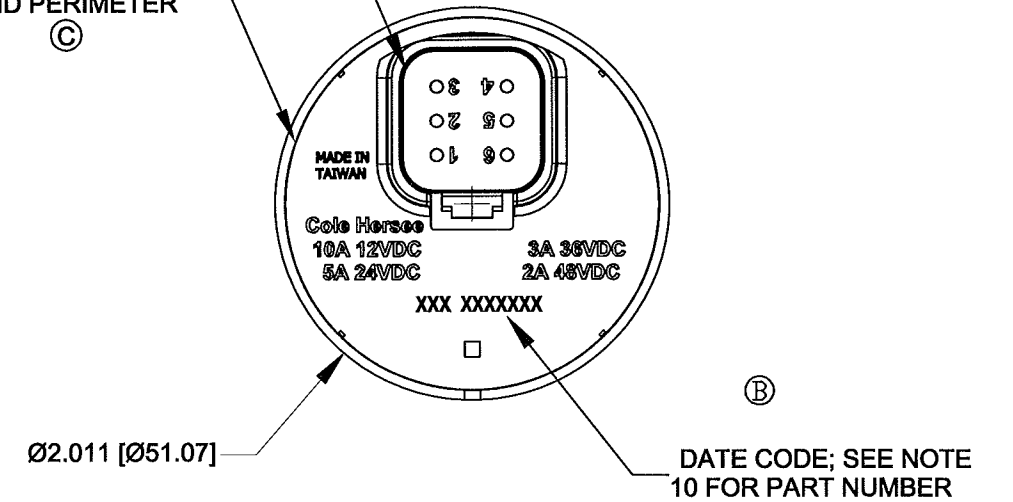
2

1

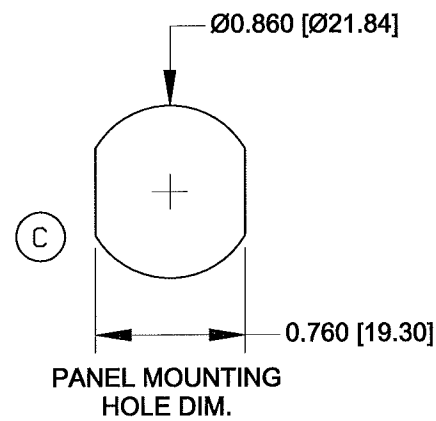
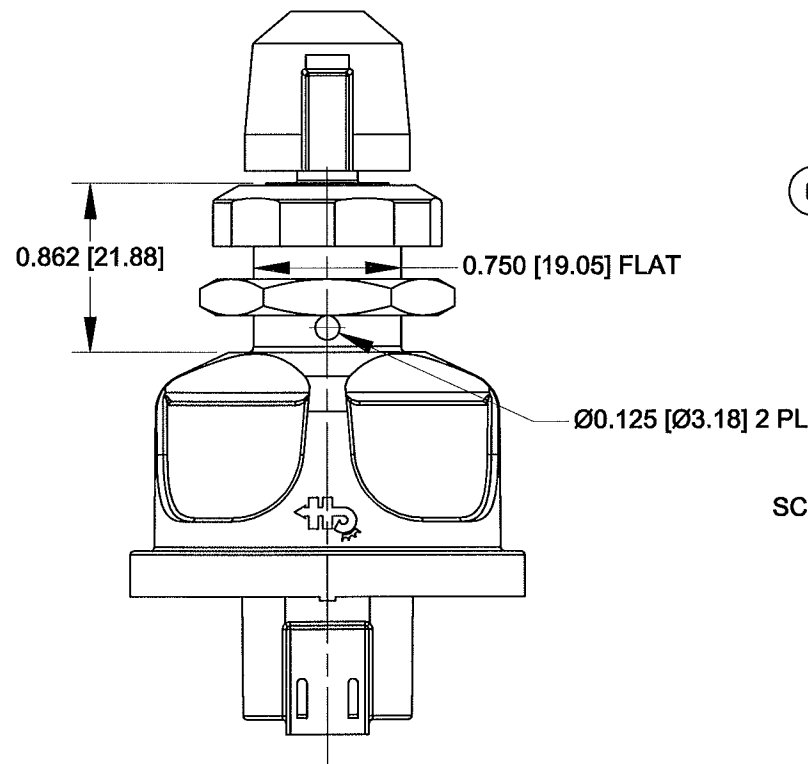


HENCOL 13 SEAL AROUND PERIMETER (C)

CONNECTOR TO ACCEPT DEUTSCH DT06-6S CONNECTOR OR EQUIV, SEE NOTE 8



- NOTES:
1. TOLERANCES PLUS OR MINUS 0.015 [0.38]
 2. CONTACT AREA SEALED TO IP67
 3. BACK OF SWITCH SEALED WHEN MATING CONNECTOR IS INSTALLED
 4. FOR RESISTIVE LOAD RATING SEE CHART OR BACK OF SWITCH
 5. FOR PIN LOCATIONS SEE CHART
 6. MATERIALS: HOUSING BLACK THERMOPLASTIC
ALL INTERNAL CONTACTS: COPPER
 7. SWITCH TESTED TO SAE J259.
 8. SWITCH MATES WITH COLE HERSEE'S 31101 CONNECTOR ASSEMBLY
 9. START LOCKOUT FEATURE: SWITCH MUST GO TO "OFF" POSITION BEFORE THE START CIRCUIT CAN BE RE-ENERGIZED.
 10. 95061-01 IS SAME AS 95061-101 EXCEPT ADDED LEVER.
 11. SW. MUST NOT BREAK CIRCUIT OR BE DAMAGED IF TORQUED TO 15 IN-LBS [1.69Nm]
 12. IF THE APPLICATION MOUNTS THE SWITCH WITH THE LOCK CYLINDER OR LEVER APPROACHING VERTICAL, CONTACT THE FACTORY FOR AN APPLICATION REVIEW AND POTENTIAL ALTERNATE PRODUCTS BEFORE DESIGN IS SET.



SCREW & LOCKWASHER

PIN NUMBER	CIRCUIT	12VDC RESISTIVE LOAD
2	START	5 AMPS
3	ACCESSORY	10 AMPS
4 & 5	IGNITION	10 AMPS
1 & 6	BATTERY	

PINS 1 & 6 CONNECTED TOGETHER INTERNALLY
PINS 4 & 5 CONNECTED TOGETHER INTERNALLY

Revision Control Record				Rev.	Description of Change	ECN No.	Date
Rev.	Description of Change	ECN No.	Date				
A	RELEASED DRAWING	12177	05/02/12				
B	DRAWING CORRECTION	13095	03/20/13				
C	ADDED HENCOL 13; ADDED TORQUE NOTE	13179	06/04/13				

Tolerances Unless otherwise specifically noted, the following are default tolerances:
2-places +/- 0.02" **3-places +/- 0.005"** **Angular +/- 1**
 Metric: Shown in [] refers to equivalent English Dim Tol
 "REF." or an Asterisk (*) = Non-Toleranced Reference Dimension, shown for clarification purposes only.
 NOTE: All tolerances are Non-Cumulative.

PROPRIETARY INFORMATION
 This Engineering Drawing, and the information contained herein, is proprietary to Cole Hersee Company and may not be disclosed, re-produced, or in any other way transferred or communicated to any other party without the express written consent of an authorized representative of Cole Hersee Company.

Special Characteristics:
 (CC) Critical Characteristic, relating to Safety and/or Regulatory Compliance
 (X) Significant Characteristic relating to Process Control
 (KC) Control Dimension relating to Form - Fit - Function as defined by Cole Hersee Company and/or the Customer

Cole Hersee Co.
 20 Old Colony Ave., South Boston, MA, 02127
 Phn: 617-268-2100 Web: www.colehersee.com

Description: **SW, ROT, LEVER, ANTI-RESTART**

Drawing / Part No.: **95061-01** **Current Rev. C**

4

3

2

1