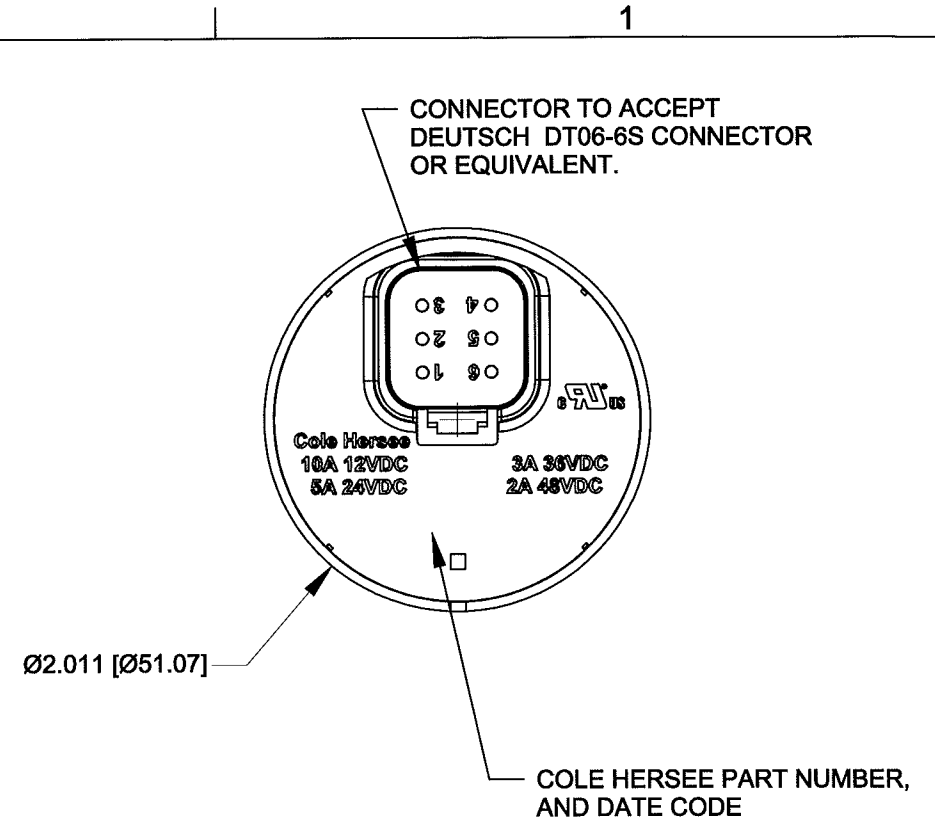
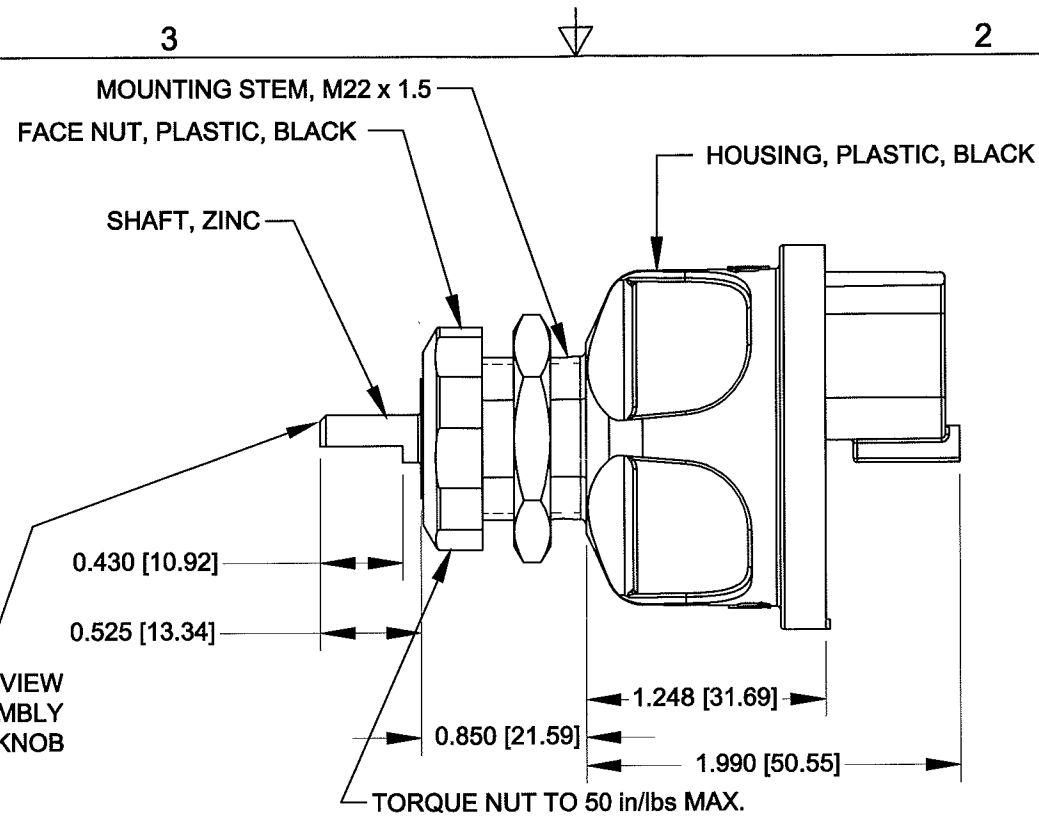


NOTE: THIS VIEW SHOWS ASSEMBLY WITHOUT THE KNOB



PIN NUMBER	CIRCUIT	12VDC RESISTIVE LOAD
2	START	5 AMPS
3	ACCESSORY	10 AMPS
4 & 5	IGNITION	10 AMPS
1 & 6	BATTERY	

PINS 1 & 6 CONNECTED TOGETHER INTERNALLY
PINS 4 & 5 CONNECTED TOGETHER INTERNALLY

- NOTES:
- TOLERANCES PLUS OR MINUS 0.015 [0.38]
 - ELECTRICAL CONTACT AREA SEALED TO IP67
 - BACK OF SWITCH IS SEALED WHEN MATING CONNECTOR IS INSTALLED.
 - FOR RESISTIVE LOAD RATING SEE CHART OR BACK OF SWITCH
 - PIN LOCATIONS SEE CHART.
 - SWITCH HOUSING: BLACK THERMOPLASTIC; STATIONARY CONTACTS: COPPER
SHAFT: ZINC DIE CAST; KNOB: BLACK PLASTIC WITH WHITE INDICATOR
 - SWITCH TESTED TO SAE J259.
 - SW. MUST NOT BREAK CIRCUIT OR BE DAMAGED IF TORQUED TO 15 IN-LBS [1.69Nm]

Revision Control Record				Rev.	Description of Change	ECN No.	Date	Tolerances	Unless otherwise specifically noted, the following are default tolerances:	PROPRIETARY INFORMATION	Special Characteristics:	Cole Hersee Co.	
Rev.	Description of Change	ECN No.	Date					2-places	3-places	Angular	CC	20 Old Colony Ave., South Boston, MA, 02127 Phn: 617-268-2100 Web: www.colehersee.com	
A	RELEASED DRAWING	12352	01/22/13					+/- 0.02"	+/- 0.005"	+/- 1°	<input checked="" type="checkbox"/> Critical Characteristic, relating to Safety and/or Regulatory Compliance <input checked="" type="checkbox"/> Significant Characteristic relating to Process Control <input checked="" type="checkbox"/> Control Dimension relating to Form - Fit - Function as defined by Cole Hersee Company and/or the Customer	Description: SW, ROT, 3POS, KNOB Drawing / Part No.: 95062-25 Current Rev.: A	
								FORM CHT-6 (2/07)	Used On or Ref.: EX28803	Scale: 1:1	Drawn BY: A.VISCO	Date Drawn: 11/26/2012	Pg. 1 of 1