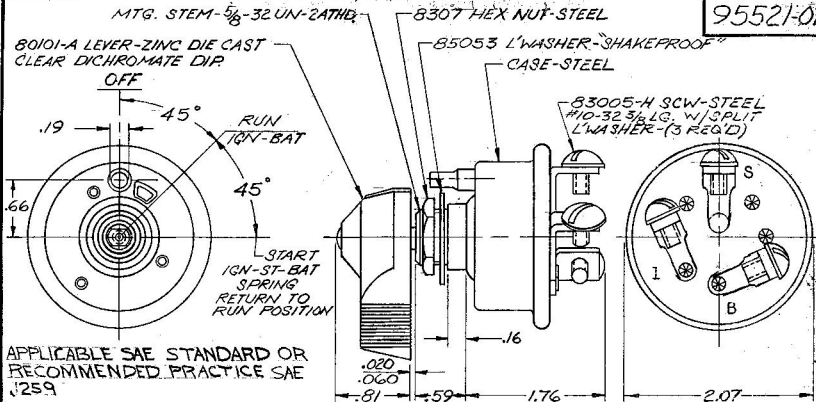


EX15049

95521-01



APPLICABLE SAE STANDARD OR RECOMMENDED PRACTICE SAE 1259

LEGEND	
I	IGNITION
B	BATTERY
S	START

NOTES:

1. SILVER LAMINATED CONTACT SURFACES AT START POSITION.
2. DESIGNED FOR MAX. OF 70 AMP AT START CIRCUIT (MAY PERMIT ELIMINATION OF SOLENOID.)
3. O'RING SEALED AT MTG. STEM.
4. ALL STEEL PARTS PLATED

Confidential Property of Cole Hersee

DO NOT SCALE

Ⓢ * 70 AMPS @ 12VDC
(* COMBINED LOAD)

LET	WAS	DATE	BY	LET	WAS	DATE	BY	MATERIAL	DRAWN	CHECKED	APPROV'D	SCALE	95521 EXCEPT W/ LEAD, PAN & SHOULDER GUSHING. Ⓢ	DATE DRAWN
				K	25234	1/20/12			CF	LPG		FULL		10-2-68
				J	SAE SPEC	3-14-67		FINISH	COLE-HERSEE COMPANY BOSTON, MASS. 02127, U.S.A.					DATE BLUEPRINT
				H	ADDED 10033	3-28-73	CT							
				G	DRATING DATA ADDED	2-22-77	N	TOLERANCES FRACTIONAL ± DECIMAL ±.01	WEATHERPROOF IGN. HEAVY DUTY SWITCH					95521-01
L	ECW 01041	1-17-01	MS	F	REDRAWN NO CHANGE	8-22-72	CT							