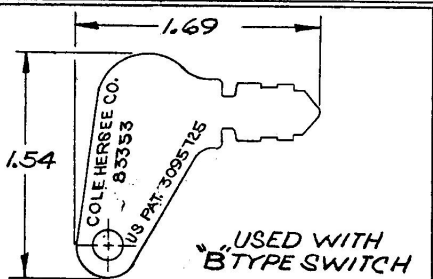
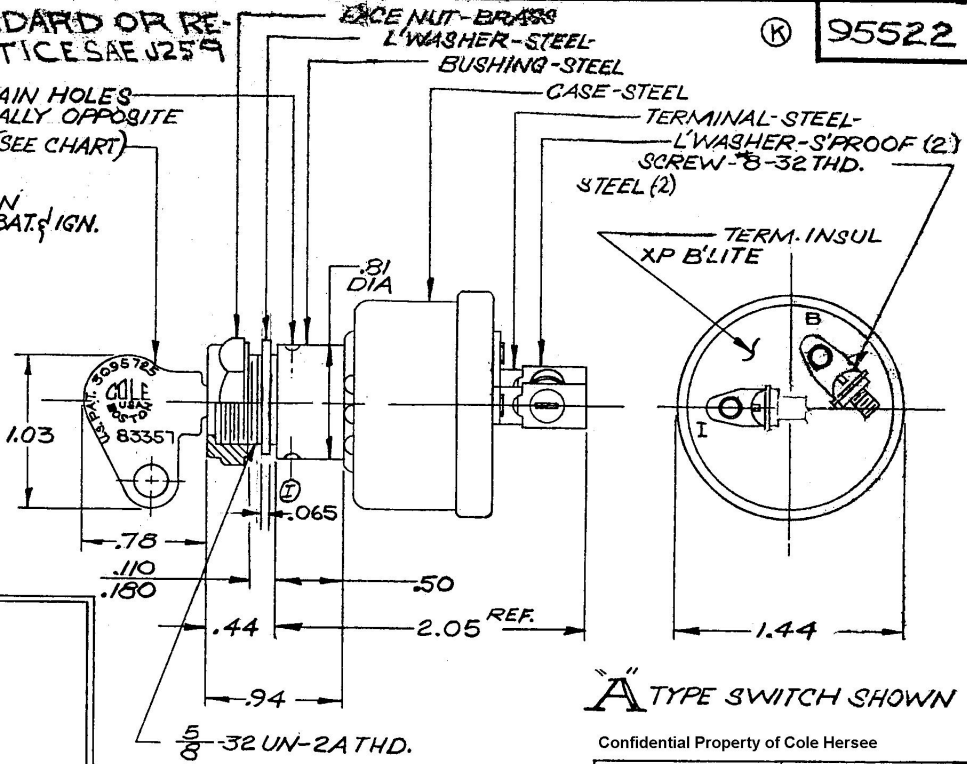
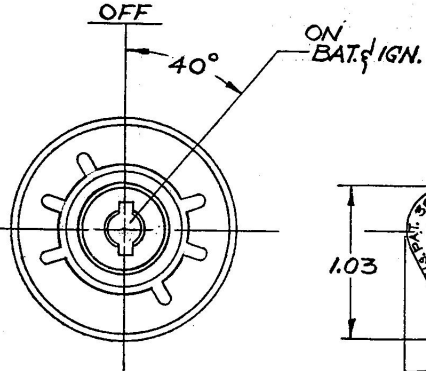


COLE-HERSEE CO. TSE #147

APPLICABLE SAE STANDARD OR RECOMMENDED PRACTICE SAE J259

(K) 95522

(2) .125 DIA DRAIN HOLES DIAMETRICALLY OPPOSITE
KEY-STEEL (SEE CHART)



OPTIONAL KEY

NOTE:
1. O'RING SEALED AT BUSHING
2 ALL STEEL PARTS PLATED
10 AMPS @ 12 VDC

A TYPE SWITCH SHOWN

Confidential Property of Cole Hersee

95522 B	83353-2 KEYS RINGED
95522A	83357-2 KEYS RINGED
95522 BASIC	_____
SWITCH NO.	KEY PART NO.

DO NOT SCALE

LET	WAS	DATE	BY	LET	WAS	DATE	BY	MATERIAL	DRAWN	CHECKED	APPR'D.	SCALE	DATE DRAWN			
				L	NOTE 2 ADDED / 25234	11/17/92	TN	FINISH	EA	✓		FULL	12-12-62			
				K	CAD 118606	6-12-74	DD		COLE-HERSEE COMPANY BOSTON, MASS. 02127, U.S.A.				DATE BLUEPRINT			
				J	SAE SPEC ADDED	3-14-74	JL									
				Z	REV 118038	3-5-79	RB									
				H	REDRAWN NO CHANGE	2-16-72	CT	TOLERANCES FRACTIONAL ± DECIMAL ± 01	WEATHERPROOF IGNITION SWITCH				95522			