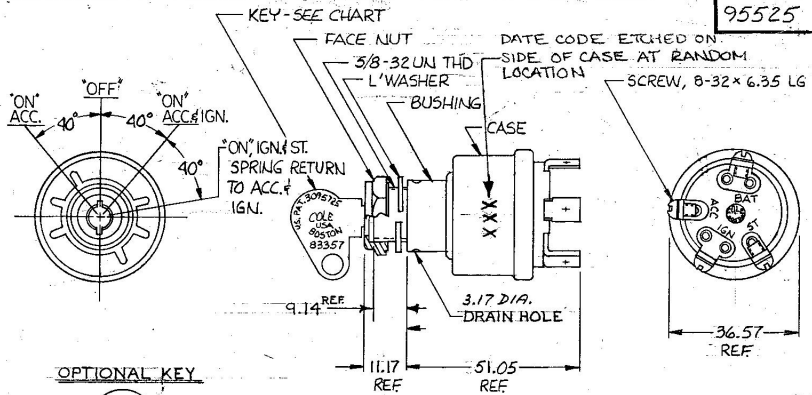
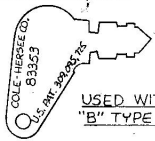


95525

MM IN
6.35 250
9.14 360
11.17 440
36.51 1440
51.05 2010



OPTIONAL KEY



USED WITH
"B" TYPE SWITCH

METRIC

NOTES:

1. APPLICABLE SAE STANDARD OR RECOMMENDED PRACTICE SAE J259
2. "A" TYPE SWITCH SHOWN.
3. "O" RING SEAL AT BUSHING.
4. ALL STEEL PARTS PLATED.

Confidential Property of Cole Hersee

95525B	83353 2 KEYS RINGED
95525A	83357 2 KEYS RINGED
95525 BASIC	—
SWITCH NO.	KEY PART NO.

DO NOT SCALE

LET	WAS	DATE	BY	LET	WAS	DATE	BY	MATERIAL	DRAWN	CHECKED	APPRVD.	SCALE	DATE DRAWN
								—	SB	SK		1:1	12-26-62
								FINISH					DATE BLUEPRINT
								—					
								TOLERANCES					
								DECIMAL ±					
								METRIC ±					
									CH Cole Hersee Co. <small>1000 COLONY AVENUE, BOSTON, MASS., U.S.A. 02117</small>				
									SWITCH, IGNITION & START, 4 POS.			95525	

TSE-1004