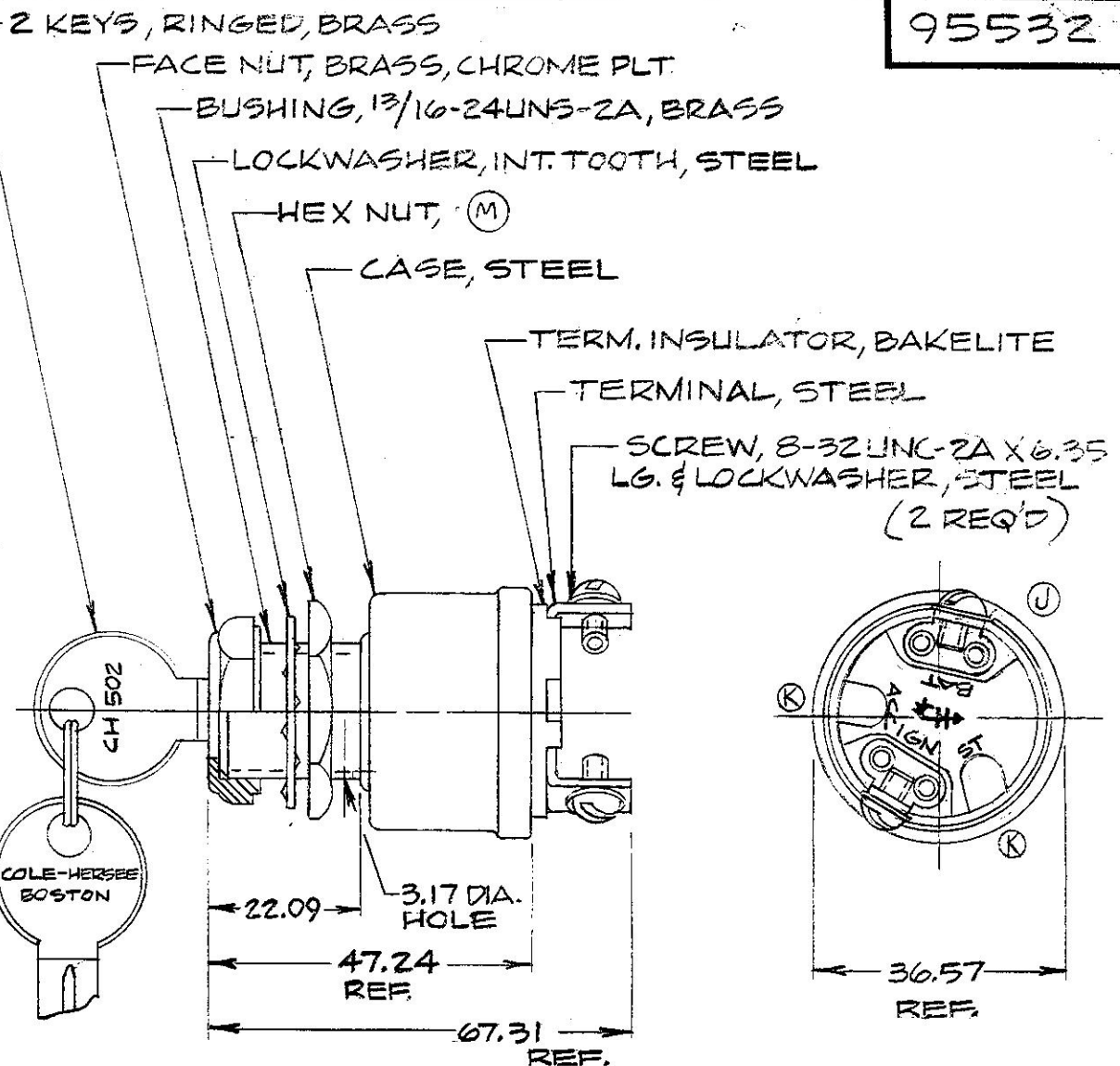
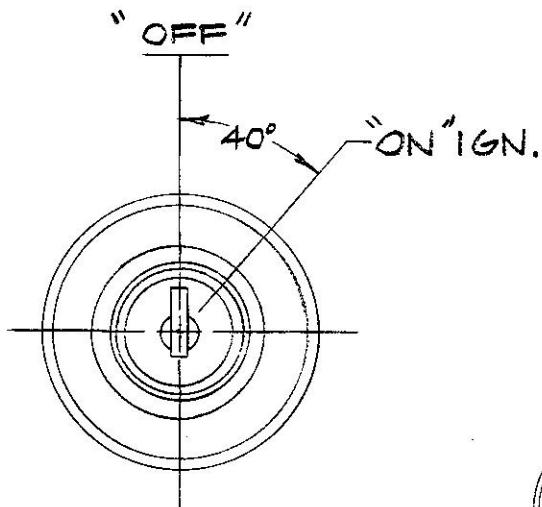


95532

|       |       |
|-------|-------|
| MM    | IN.   |
| 125   | .010  |
| 3.17  | .125  |
| 6.35  | .250  |
| 22.09 | .870  |
| 47.24 | 1.860 |
| 36.57 | 1.440 |
| 67.31 | 2.650 |

APPLICABLE SAE STANDARD OR RECOMMENDED PRACTICE SAE J259

COLE-HERSEE CO.



Confidential Property of Cole Hersee

NOTE:  
 (L) ALL STEEL PARTS PLATED

METRIC

DO NOT SCALE

| LET | WAS | DATE | BY | LET | WAS                | DATE     | BY   | MATERIAL     | DRAWN  | CHECKED | APPR'VD. | SCALE | DATE DRAWN     |
|-----|-----|------|----|-----|--------------------|----------|------|--------------|--|---------|----------|-------|----------------|
|     |     |      |    | M   | ECN 06023          | 2/2/66   | S/G  | — # —        | PH   | TY      |          | 1:1   | 12-11-61       |
|     |     |      |    | L   | CAD OR ZINC 125234 | 11/17/92 | J.H. | FINISH       | COLE-HERSEE COMPANY<br>BOSTON, MASS. 02127, U.S.A. |         |          |       | DATE BLUEPRINT |
|     |     |      |    | K   | ECN 2339A          | 2-2-87   | L.B. | — # —        |  |         |          |       |                |
|     |     |      |    | W   | 19872              | 3-8-77   |      | TOLERANCES   | 2 POSITION<br>IGNITION SW.                         |         |          |       | 95532          |
|     |     |      |    | H   |                    | 5-6-77   |      | FRACTIONAL ± |  |         |          |       |                |
|     |     |      |    |     |                    |          |      | DECIMAL ±    |  |         |          |       |                |