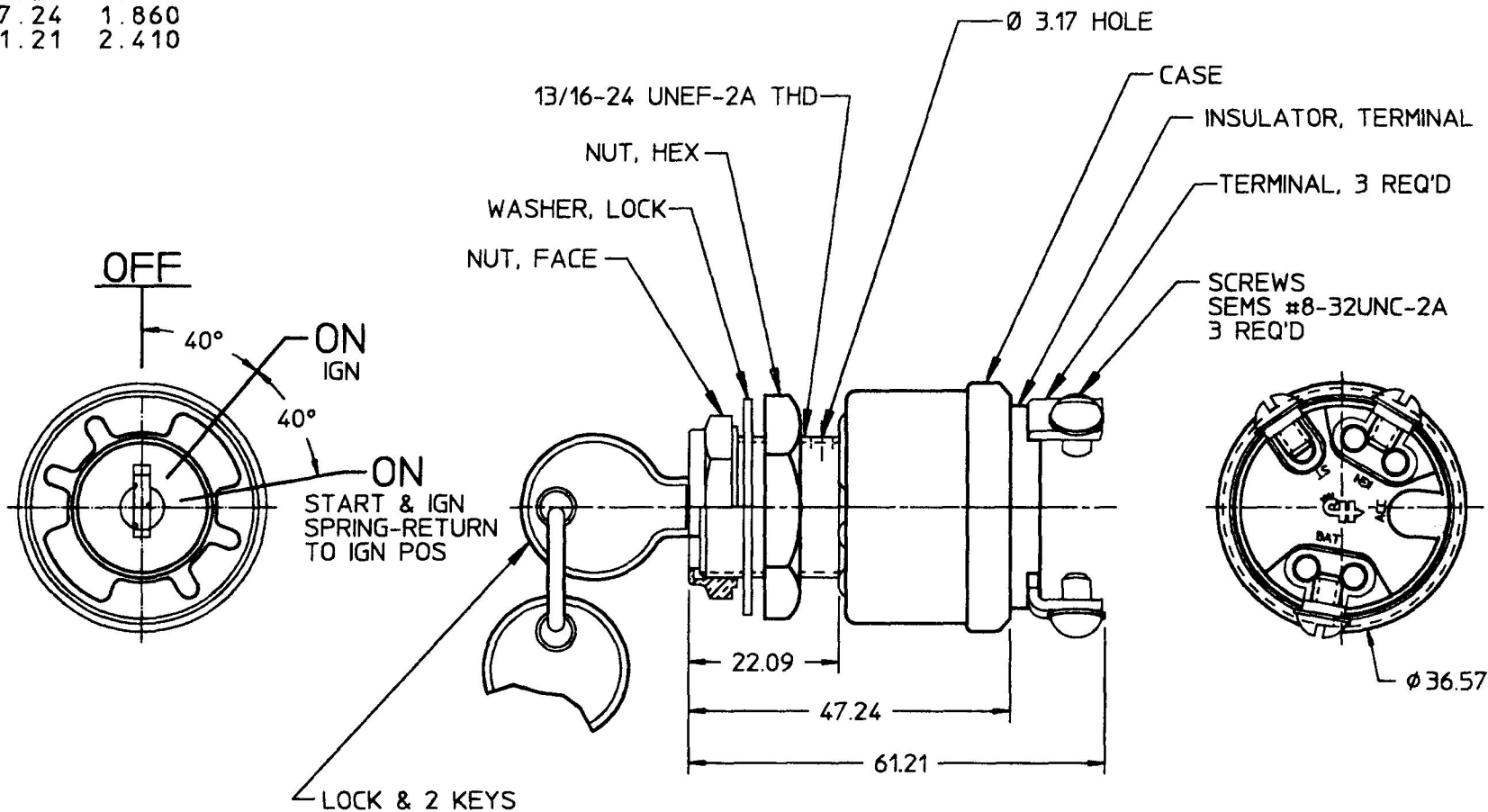


95534

MM	IN
3.17	0.125
22.09	0.870
36.57	1.440
47.24	1.860
61.21	2.410



NOTES:
1. APPLICABLE SAE STANDARD OR
RECOMMENDED PRACTICE SAE J259

METRIC

DO NOT SCALE

LET.	WAS	DATE	BY	LET.	WAS	DATE	BY	MATERIAL	DRAWN	CHK	APVD	SCALE	DATE DRAWN
									SB	AF		1:1	12/10/62
								FINISH	Cole Hersee Co. 20 OLD COLONY AVENUE, BOSTON, MA., U.S.A., 02127				DATE BLUEPRINTED
				P	PUT ON CAD ECN# 26017	11/1/95	JPT	TOLERANCES DECIMAL ±0.01 ANGLE ±	SW, ROT, 3 POS				95534