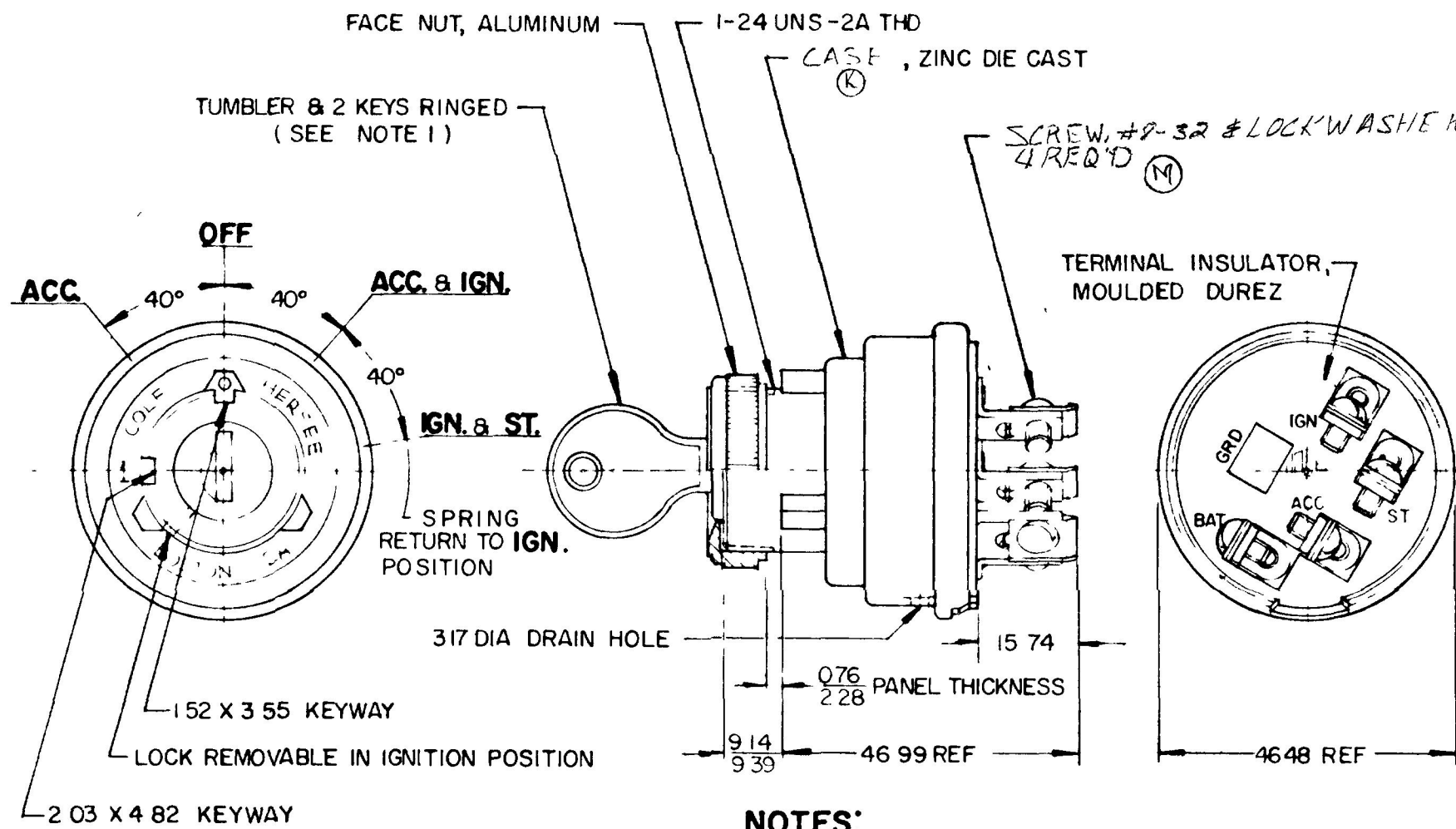


MM	IN
0.76	0.03
1.52	0.06
2.28	0.09
3.05	0.12
3.81	0.15
4.57	0.18
5.33	0.21
6.09	0.24
6.85	0.27
7.62	0.30
8.38	0.33
9.14	0.36
9.90	0.39
10.66	0.42
11.42	0.45
12.18	0.48
12.94	0.51
13.70	0.54
14.46	0.57
15.22	0.60
15.98	0.63
16.74	0.66
17.50	0.69
18.26	0.72
19.02	0.75
19.78	0.78
20.54	0.81
21.30	0.84
22.06	0.87
22.82	0.90
23.58	0.93
24.34	0.96
25.10	0.99
25.86	1.02
26.62	1.05
27.38	1.08
28.14	1.11
28.90	1.14
29.66	1.17
30.42	1.20
31.18	1.23
31.94	1.26
32.70	1.29
33.46	1.32
34.22	1.35
34.98	1.38
35.74	1.41
36.50	1.44
37.26	1.47
38.02	1.50
38.78	1.53
39.54	1.56
40.30	1.59
41.06	1.62
41.82	1.65
42.58	1.68
43.34	1.71
44.10	1.74
44.86	1.77
45.62	1.80
46.38	1.83
47.14	1.86
47.90	1.89
48.66	1.92
49.42	1.95
50.18	1.98
50.94	2.01
51.70	2.04
52.46	2.07
53.22	2.10
53.98	2.13
54.74	2.16
55.50	2.19
56.26	2.22
57.02	2.25
57.78	2.28
58.54	2.31
59.30	2.34
60.06	2.37
60.82	2.40
61.58	2.43
62.34	2.46
63.10	2.49
63.86	2.52
64.62	2.55
65.38	2.58
66.14	2.61
66.90	2.64
67.66	2.67
68.42	2.70
69.18	2.73
69.94	2.76
70.70	2.79
71.46	2.82
72.22	2.85
72.98	2.88
73.74	2.91
74.50	2.94
75.26	2.97
76.02	3.00
76.78	3.03
77.54	3.06
78.30	3.09
79.06	3.12
79.82	3.15
80.58	3.18
81.34	3.21
82.10	3.24
82.86	3.27
83.62	3.30
84.38	3.33
85.14	3.36
85.90	3.39
86.66	3.42
87.42	3.45
88.18	3.48
88.94	3.51
89.70	3.54
90.46	3.57
91.22	3.60
91.98	3.63
92.74	3.66
93.50	3.69
94.26	3.72
95.02	3.75
95.78	3.78
96.54	3.81
97.30	3.84
98.06	3.87
98.82	3.90
99.58	3.93
100.34	3.96

APPLICABLE SAE STANDARD OR RECOMMENDED PRACTICE SAE J259

956-4104

EX-14258



NOTES:

- 1 SHUTTER TYPE SEAL ON LOCK FACE
- 2 ALL STEEL PARTS PLATED

METRIC

RATINGS AT 12 VDC	
ACC CIRCUIT	10 AMPS
IGN CIRCUIT	10 AMPS
ST CIRCUIT	5 AMPS

DO NOT SCALE

LET	WAS	DATE	BY	LET	WAS	DATE	BY	ATERIAL	DRAWN	HEIGHTER D	SCALE	DATE DRAWN
								—#—	MF	1-26-79	1:1	3-15-66
				M	ECN 00137	3/1/00	MA	FINISH				DATE BLUEPRINT
				L	CADOK ZINC 125254	12/22/92	JH					
				K	HOUSING	8/15/87	PS					
				J	REDRAWN	1/18/79	J	TOLERANCES FRACTIONAL ± DECIMAL ± .25	4 - POSITION IGNITION & START SWITCH			956-4104

CH 188 (4 78)