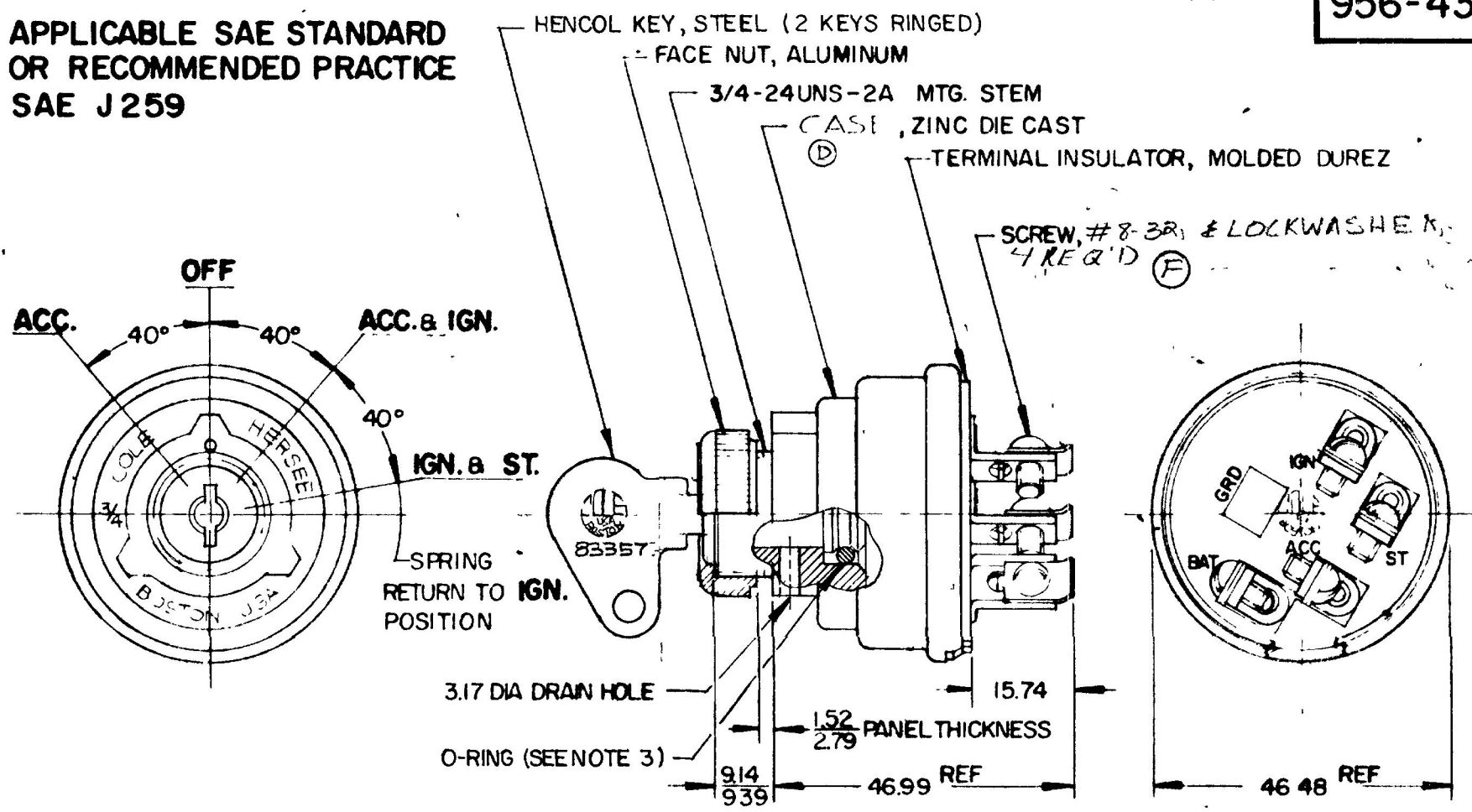


MM	IN
0.25	.010
1.27	.050
2.54	.100
3.81	.150
5.08	.200
6.35	.250
7.62	.300
8.89	.350
10.16	.400
12.70	.500
15.24	.600
17.78	.700
20.32	.800
22.86	.900
25.40	1.000
27.94	1.100
30.48	1.200
33.02	1.300
35.56	1.400
38.10	1.500
40.64	1.600
43.18	1.700
45.72	1.800
48.26	1.900
50.80	2.000

956-4307

APPLICABLE SAE STANDARD  
OR RECOMMENDED PRACTICE  
SAE J259



RATINGS AT 12 V.D.C.	
ACC. CIRCUIT	10 AMPS
IGN. "	10 "
ST. "	5 "

METRIC

NOTES:

- 1 TERMINAL INSUL GASKET SEALED
- 2 ALL STEEL PARTS PLATED
- 3 SHAFT O-RING SEALED TO HOUSING.

DO NOT SCALE

LET	WAS	DATE	BY	LET	WAS	DATE	BY	MATERIAL	DRAWN	APPRVD	SCALE	DATE DRAWN
								#	CF		11	12-12-66
				F	ECN 00137	3/1/00	HA	FINISH				DATE BLUEPRINT
				I	CAD OR ZINC/25234	12/18/92	111	#				
				D	HOUSING	8-16-82	PB	TOLERANCES				
				C	REDRAWN	5-21-79	JV	DECIMAL ± .010				
								METRIC ± .25				

**CH** Cole Hersee Co.  
3700 AVENUE SIX - BOSTON, MASS. U.S.A. 02134

4- POSITION  
IGNITION & START SWITCH

956-4307

CH 188(4 78)