

APPLICABLE SAE STANDARD OR RECOMMENDED PRACTICE SAE J259

956-5109

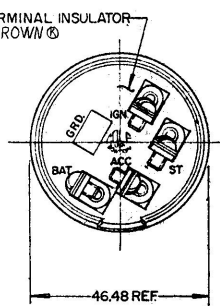
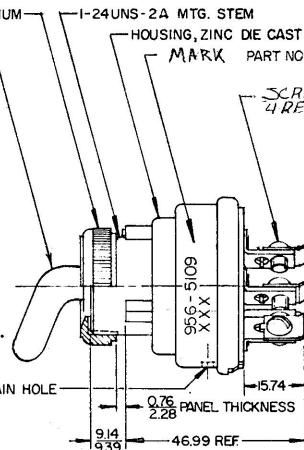
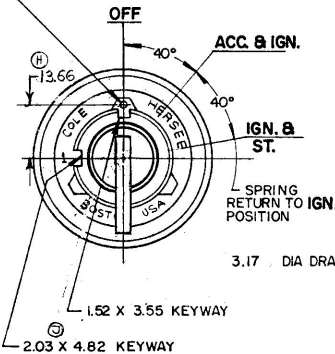
FACE NUT, ALUMINUM
 LEVER, ZINC DIE CAST, CHROME PLT.
 HOUSING, ZINC DIE CAST
 MARK PART NO. & DATE CODE AT RANDOM (N)

1.57 DIA. x 1.01 HIGH PIN

SCREW, # 8-32, & LOCKWASHER
 4 REQ'D (M)

MM
 0.001
 0.002
 0.005
 0.010
 0.020
 0.030
 0.040
 0.050
 0.062
 0.080
 0.090
 0.100
 0.125
 0.150
 0.160
 0.170
 0.200
 0.250
 0.300
 0.375
 0.450
 0.500
 0.562
 0.625
 0.750
 0.875
 1.000
 1.250
 1.500
 1.875
 2.000

FORM 9-28-71
 -X-16009C



- NOTE:
 1. TERMINAL INSULATOR GASKET SEALED
 2. SHOULDER TYPE RIVET CONSTRUCTION
 3. SILVER LAMINATED CONTACT SURFACES
 4. ALL STEEL PARTS PLATED

METRIC

Confidential Property of Cole Hersee

DO NOT SCALE

LET	WAS	DATE	BY	LET	WAS	DATE	BY	MATERIAL	DRAWN	CHECKED	APPR'D	SCALE	DATE DRAWN
				L	ZINC	25034	12/29/70	54	—	RW	1-30-71	1:1	9-16-71
				K	ECN	25189	8/13/72	54	FINISH				
				J	DELTA NOTE	23263	9-30-86	ZU	—				DATE BLUEPRINT
N	ECN #00422	6/6/08	MK	H	REVISED	22457	6/6/04	1/4X	TOLERANCES	CH Cole Hersee Co. 3-POSITION IGNITION & START SWITCH			
M	ECN 00137	3/1/00	WH	G	REDRAWN		1-19-71	R	FRACTIONAL ± DECIMAL ±.25				ALL EXCEPT 3-POS & W/SCREW TERM. & LEVER