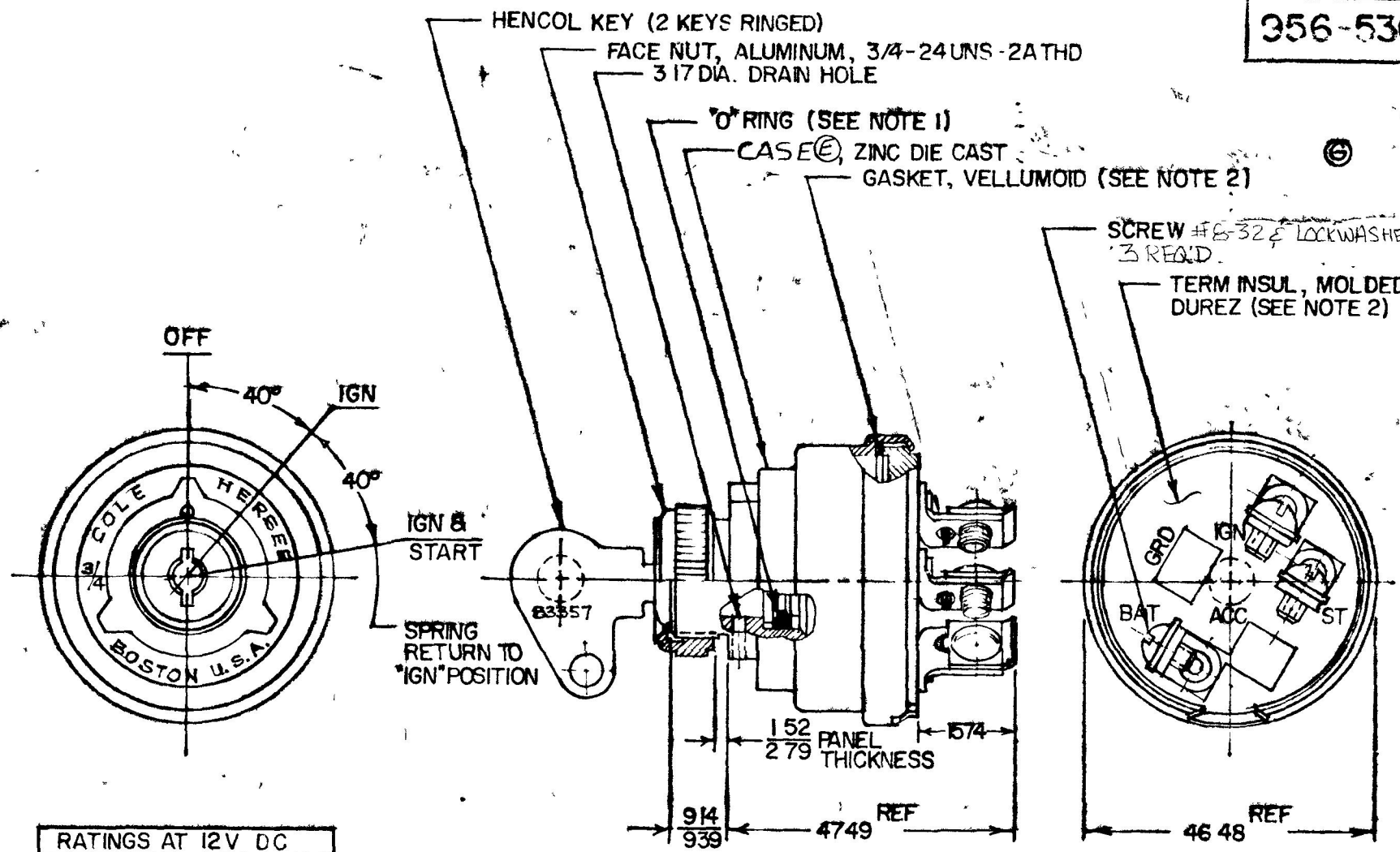


MM	IN
1.52	.010
2.79	.110
3.18	.125
3.30	.125
3.39	.130
3.74	.145
4.48	.175
5.49	.210
6.35	.250
7.14	.280
8.27	.325
9.14	.350
10.16	.390
11.18	.430
12.19	.470
13.17	.510

356-5307



RATINGS AT 12V DC	
IGN CIRCUIT	10 AMPS
START	5

- NOTE
1. SHAFT O-RING SEALED TO CASE
 2. TERM INSUL GASKET SEALED
 3. ALL STEEL PARTS PLATED 11T W/DIC-IRON, FL DIP OR CAL 17
 4. APPLICABLE SAE STANDARD OR RECOMMENDED PRACTICE SAE J259

METRIC

DO NOT SCALE

LET	WAS	DATE	BY	LET	WAS	DATE	BY	MATERIAL	DRAWN	CHECKED	APPRV D	SCALE	DATE DRAWN
									CF	11-20-78		1:1	1-10-66
				G	LEN # 60139	3/1/00	KF	FINISH	 WOLD COLONY AVENUE SOUTH BOSTON MA U.S.A. 02127				DATE BLUEPRINT
				F	CADU 725239	12/18/92	JH						
				E	HOUSING	8-17-82	PS	TOLERANCES	3 POS IGNITION & START SW 956-5307				
				D	REDRAWN	11-8-78	RR	FRACTIONAL ±					
								DECIMAL ±.25					

CH-188 (4-78)