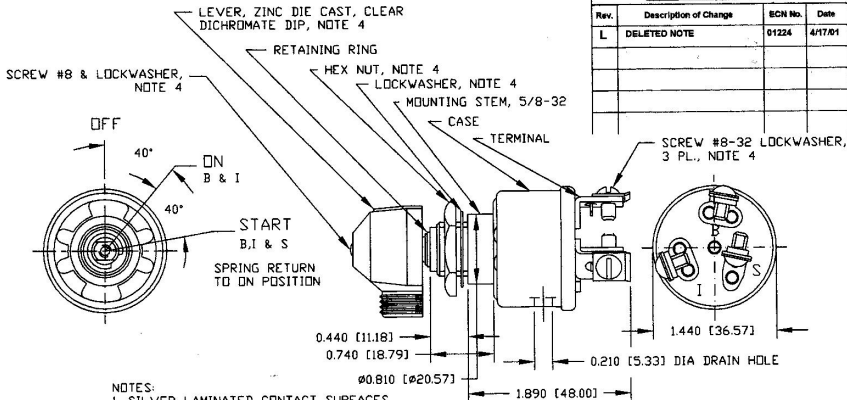


Revision Control Record

Rev.	Description of Change	ECN No.	Date
L	DELETED NOTE	01224	4/17/01



NOTES:

1. SILVER LAMINATED CONTACT SURFACES
2. MELAMINE LINER
3. ALL STEEL PARTS PLATED
4. PARTS MAY BE ASSEMBLED OR SHIPPED IN A BAG
5. RATING: START 20 AMPS @ 12V DC
IGN 25 AMPS @ 12V DC
6. APPLICABLE SAE STANDARD OR RECOMMENDED PRACTICE SAE J259
7. ALL DIMENSIONS REFERENCE ONLY

I	IGNITION
S	START
B	BATTERY
LEGEND	

Tolerances - Unless otherwise specifically noted, the following are default tolerances:
 * 2 place Decimal Dimensions $\pm 0.25^\circ$
 * 3 place Decimal Dimensions $\pm 0.05^\circ$
 * Angular Dimensions ± 1.0 Deg.
 * Metric: Refer to equivalent English Dimension Tolerance
 *** NOTE: All tolerances are Non-Cumulative, unless otherwise specified.

Dimensional Units - All dimensions are expressed in inches except those shown in brackets (mm) are expressed in millimeters.

"REF." or an Asterisk (*) = Non-Toleranced Reference Dimension, shown for clarification purposes only.

PROPRIETARY INFORMATION - This Engineering Drawing, and the information contained herein, is proprietary to Cole Hersee Company and may not be disclosed, re-produced, or in any other way transferred or communicated to any other party without the express written consent of an authorized representative of Cole Hersee Company.

DESIGN CONTROL - It is the responsibility of the individual using/referencing this drawing to assure that the noted design revision level agrees with the revision level of the Controlled Document (Master Drawing). This is a NON-CONTROLLED DOCUMENT unless otherwise specifically noted.

DO NOT SCALE - Dimensional variation may occur during printing/ reproduction.

Key for Special Characteristics

- Critical Characteristic, relating to Safety and/or Regulatory Compliance
- Significant Characteristic relating to Process Control (MPC)
- Control Dimension relating to Form - Fit - Function as defined by Cole Hersee Company and/or the Customer.

Note that the identification of any Characteristics as being "Special" does not alter the requirement that ALL specified dimensions & tolerances must be met.

Cole Hersee Co.

20 Old Colony Ave., South Boston, MA, 02127
 Ptn: 617-288-2100 Web: www.coleshersee.com

Description: SWITCH, IGNITION & START
 HEAVY DUTY, 3 POSITION

Drawing / Part No.:

95610

Current Rev.

L

Used On or Ref.: Scale: 1:1

Drawn By: MF

Date: 2/8/65

Responsible Engineer: N/A

Pg. 1 of 1