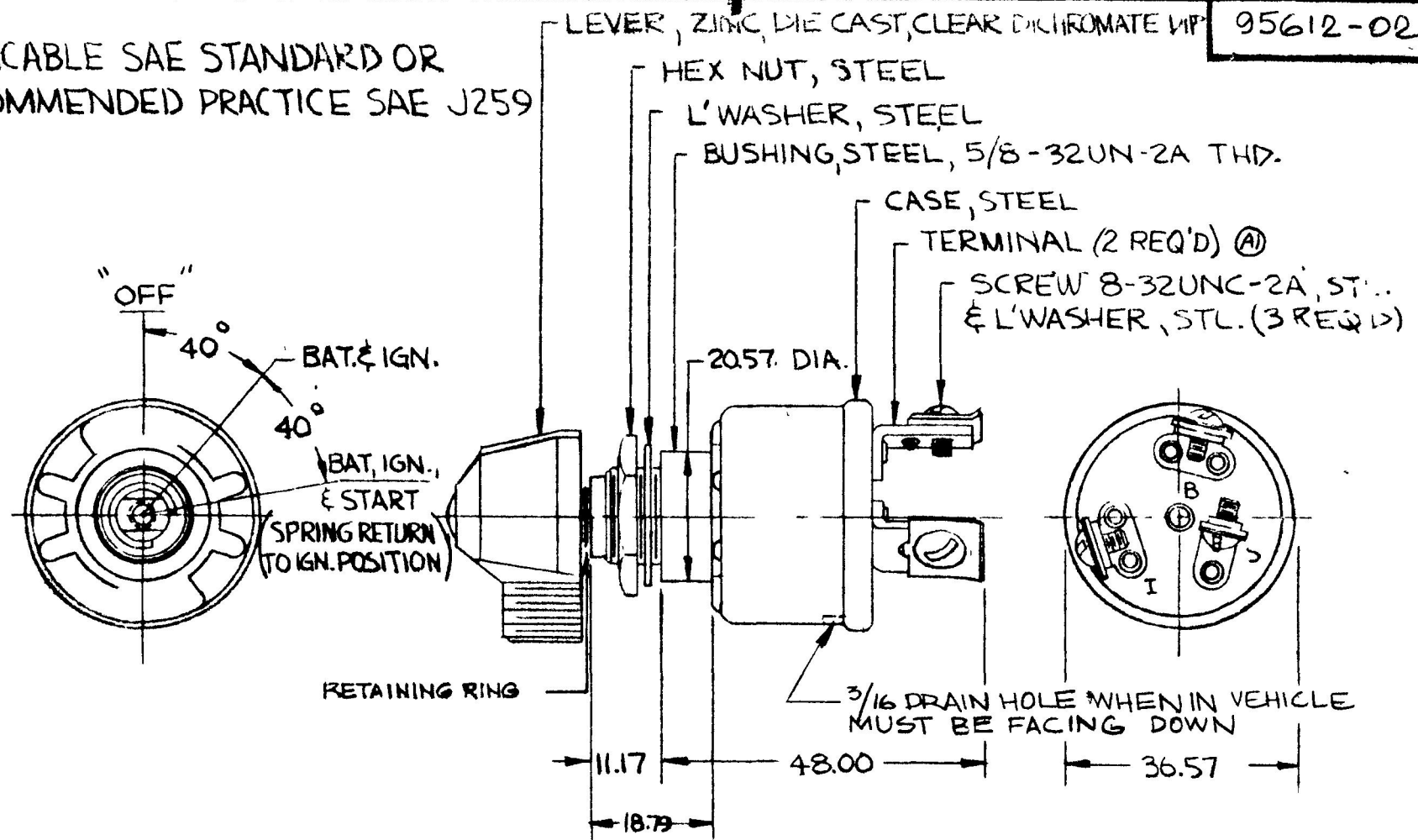


COLE-HERSEE CO.

0.25	0.010
0.17	0.0040
0.79	0.0310
0.57	0.0220
0.57	0.0220
0.80	0.0310

APPLICABLE SAE STANDARD OR  
RECOMMENDED PRACTICE SAE J259

95612-02



LEGEND	
I	IGNITION
S	START
B	BATTERY

START	20 AMPS
IGN	25 AMPS
RATING @ 12V DC	

- NOTES
- 1 SILVER LAMINATED CONTACT SURFACES
  - 2 MELAMINE LINER.
  - ③ ALL STEEL PARTS PLATED

METRIC

4.0" RING SEALED AT BUSHING.

REV	WAS	DATE	BY	LET	WAS	DATE	BY	MATERIAL	DRAWN	CHECKED	APPRV'D	SCALE	DATE DRAWN
								NOTED	RO	<i>[Signature]</i>		FULL	5-2-89
								FINISH	<b>COLE-HERSEE COMPANY</b> BOSTON, MASS 02127, U.S.A.				DATE BLUEPRINT
							NOTED						
								TOLERANCES	HEAVY DUTY WEATHERPROOF 3 POS IGN & START SWITCH				95612-02
								FRACTIONAL ±					
								DECIMAL ±0.25					