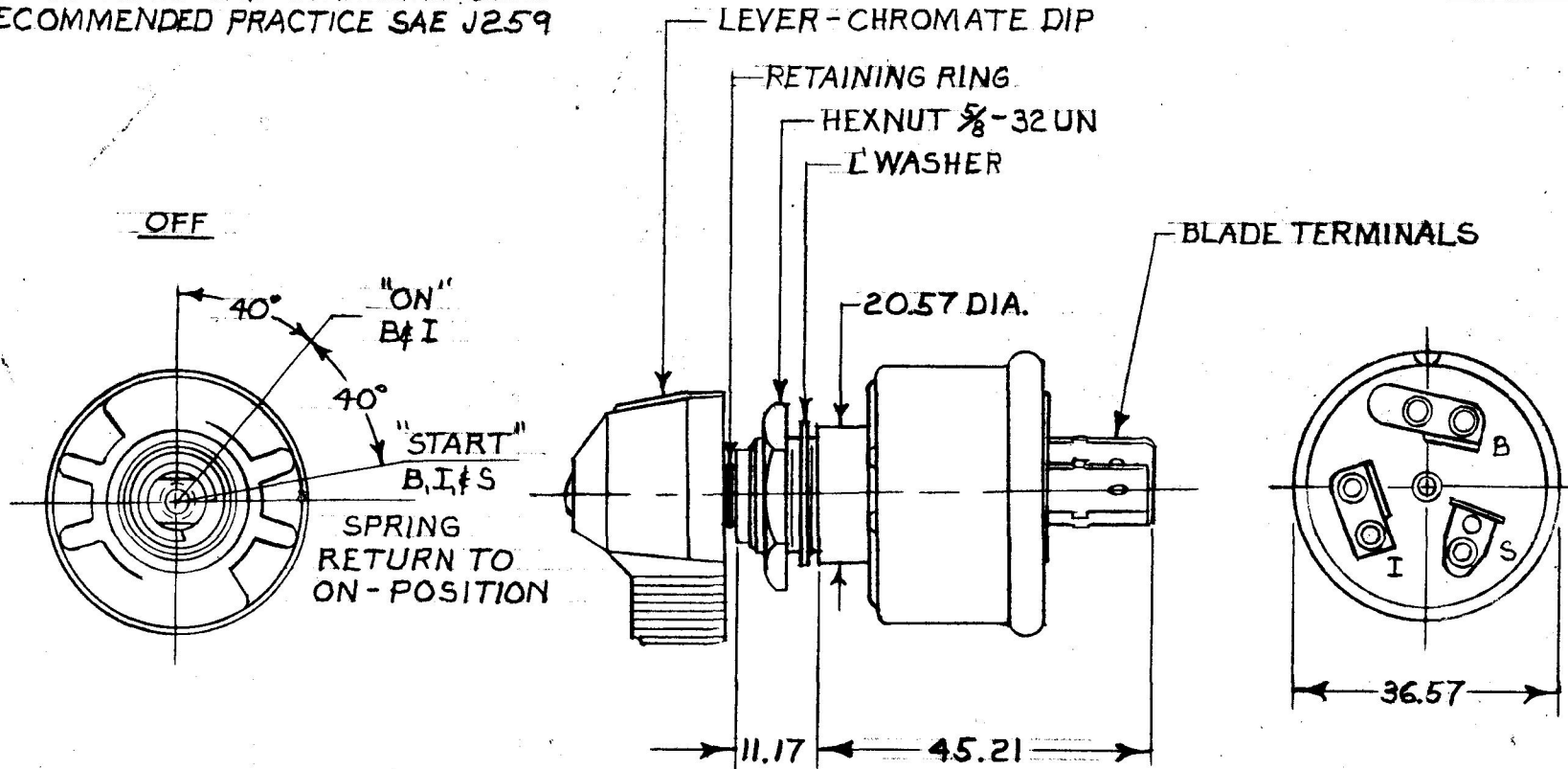


MM INCH

11.17 .44
20.57 .81
36.57 1.44
45.21 1.78

95613

APPLICABLE SAE STANDARD OR
RECOMMENDED PRACTICE SAE J259



METRIC

NOTES:

- 1. MELAMINE LINER.
- 2. SILVER CONTACTS.
- 3. "O" RING SEAL AT BUSHING.
- 4. ALL STEEL PARTS PLATED
- 5. ALL DIM'S. ARE REF.

START	20 AMPS
IGN.	25 AMPS
RATING @ 12 VDC	

LEGEND	
I	IGNITION
S	START
B	BATTERY

DO NOT SCALE

LET.	WAS	DATE	BY	LET	WAS	DATE	BY	MATERIAL	DRAWN	CHECKED	APPR'D.	SCALE	DATE DRAWN
								X	MF			FULL	4-14-65
								FINISH					DATE BLUEPRINT
								X					
								TOLERANCES	CH Cole Hersee Co. <small>20 OLD COLONY AVENUE, SOUTH BOSTON, MA. U.S.A. 02127</small> HEAVY DUTY 3 POS. IGNITION & START SW.				
								DECIMAL ±					
				F	REDRAWN	6-1-84	AK	METRIC ±					

CH-188(4-78)