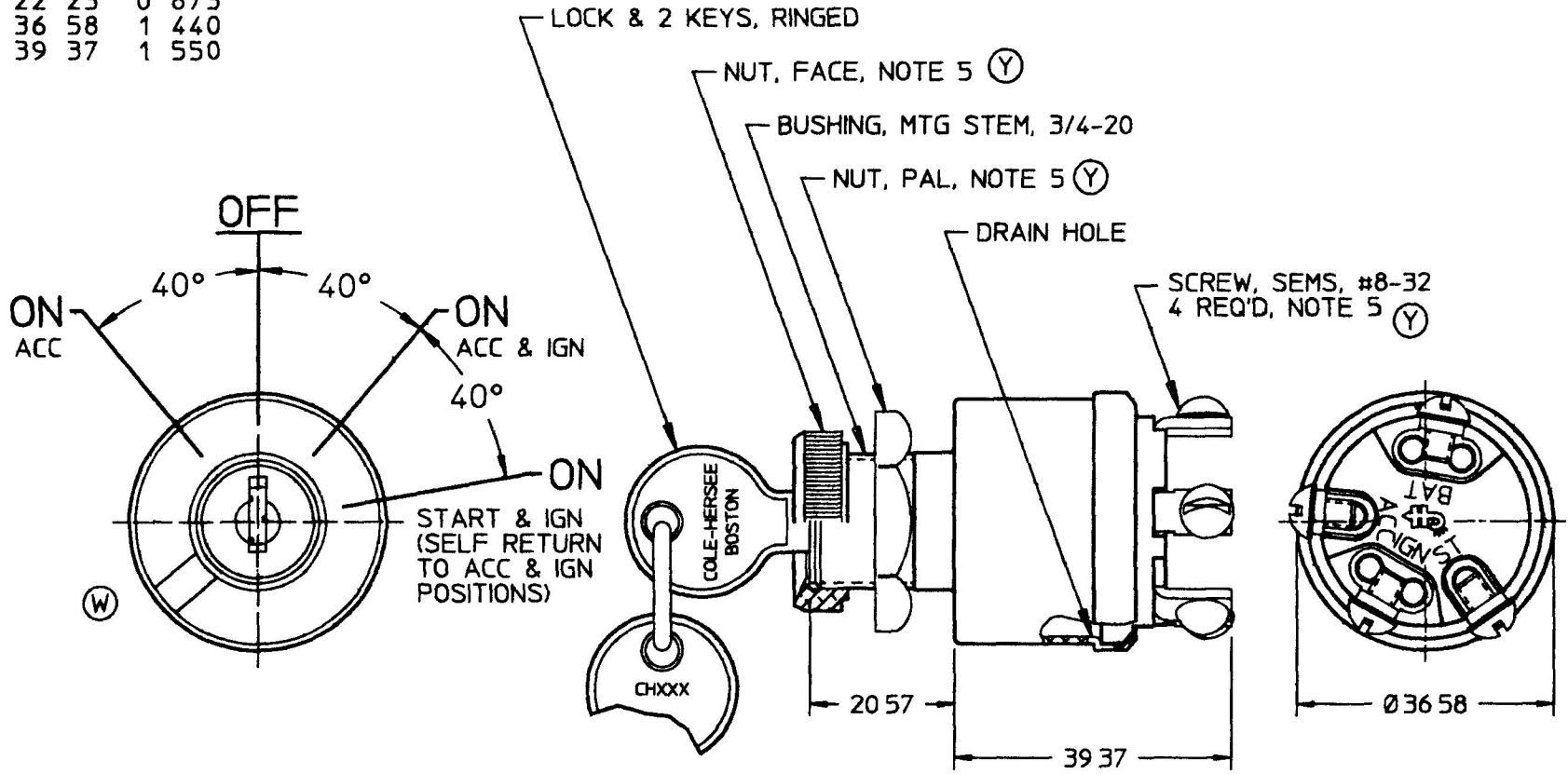


MM	IN
19 05	0 750
20 57	0 810
22 23	0 875
36 58	1 440
39 37	1 550



METRIC

ACC	10 AMPS
IGN	5 AMPS
ST	5 AMPS

RATING @ 12V DC

NOTES

- 1 ALL STEEL PARTS PLATED
- 2 ALL DIMENSIONS ARE REFERENCE
- 3 ADAPTER FACE NUT PERMITS ASSEMBLY OF SWITCH TO Ø19 05 & Ø22 23 PANEL HOLES
- 4 APPLICABLE SAE STANDARD OR RECOMMENDED PRACTICE SAE J259
- (Y) 5 PARTS MAYBE ASSEMBLED OR SUPPLIED IN A PLASTIC BAG

DO NOT SCALE

LET	WAS	DATE	BY	LET	WAS	DATE	BY	MATERIAL	DRAWN	CHK	APVD	SCALE	DATE DRAWN	
									AA	JmØ		11	9/24/57	
				Y	ECN #26813	7/16/97	AJS	FINISH	<b>Cole Hersee Co.</b> 20 OLD COLONY AVENUE, BOSTON, MA, U.S.A. 02127				DATE BLUEPRINTED	
				W	CORRECTED HSG ECN 26059	11/28/95	DPS	TOLERANCES DECIMAL ± ANGLE ±					SW, ROT, 4 POS	9579
				V	PUT ON CAD	7/3/95	MJT							