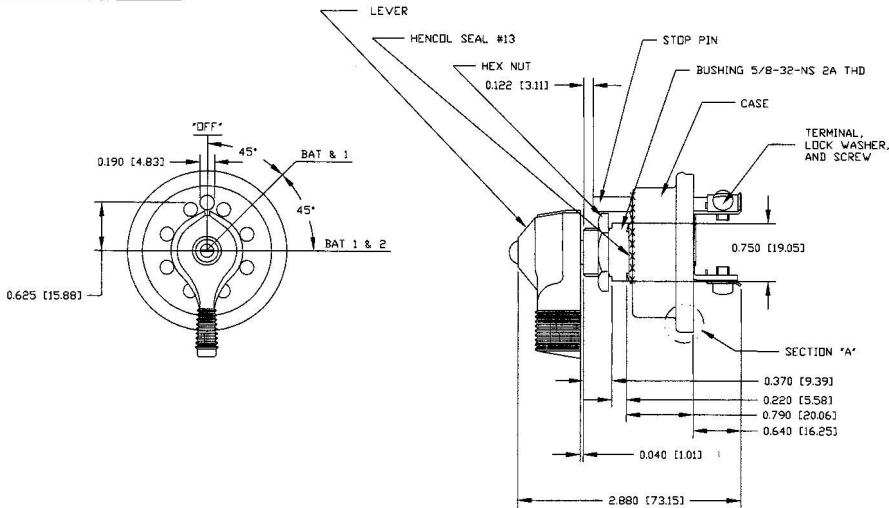


GASKET-NEOPRENE OR EQUIVALENT

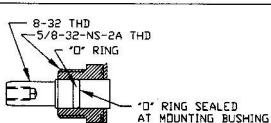
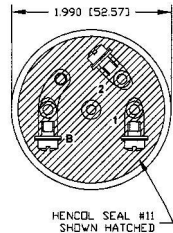
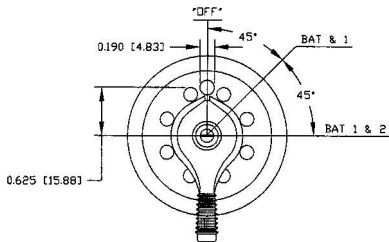


SCALE 2:1
VIEW OF SECTION "A"



Revision Control Record

Rev.	Description of Change	ECN No.	Date
N	ADDED HENCOL SEAL	01421	7/19/01
P	BOM CHANGE	17464	5/10/17



- NOTES:
1. SOLDER LAMINATED SHOULDER RIVETS & SOLID SILVER RIVETS (3 REQ'D) ON INTERNAL CONTACT PLATE
2. MELAMINE LINER
3. SWITCH HAS 20 AMP CAPACITY

Tolerances: Unless otherwise specifically noted, the following apply:
 ALL DIMENSIONS:
 • 2-place Decimal Dimension: $\pm 0.25^{\circ}$
 • 3-place Decimal Dimension: $\pm 0.25^{\circ}$
 • Angular Dimension: $\pm 1.5^{\circ}$ (Min)
 • Holes: Refer to applicable English Dimensional Tolerances
 • Holes: All tolerances are Non-Compliance, min

Dimensional Note: All dimensions are expressed in inches unless noted in brackets (inch) are expressed in millimeters.
UNIT: or as specified in a Non-Toleranced Dimension Dimension, all from the indicated reference only.

Used On: _____ Date: _____
 Drawn By: _____
 Date: 4/16/04

PROPRIETARY INFORMATION: This Engineering Drawing, and the Information contained herein, is proprietary to Cole Hersee Company and may not be disclosed, reproduced, or in any other way transmitted or communicated to any other party without the express written consent of an authorized representative of Cole Hersee Company.

DESIGN CONTROL: It is the responsibility of the individual using information derived from drawings to ensure that the material design remains valid against the revision level of the Completed Document (Shaded Drawing). This is a NON-COMPLIANCE OCCURRENCE unless otherwise specifically noted.

DO NOT SCALE: Dimensional variation may occur during printing/ reproduction.

For Use Based Characteristics:
 Critical Characteristics: relating to safety and/or Regulatory Compliance
 Significant Characteristics: relating to Process Control (PC)

Control Information: relating to Form - Fit - Function as defined by Cole Hersee Company and/or the Customer.
 Note that the identification of any characteristic as being "Special" does not alter the requirement that ALL specified dimensions & tolerances must be met.

Reasons for: N/A

Cole Hersee Co.
 20 Old Colony Ave., South Boston, MA, 02127
 P.O. Box 617-309-2100 Web: www.colehersee.com

Description: 3 POSITION ROTARY SWITCH

Drawing / Part No.: 9802
 Current Rev.: P