

# ARC-FLASH PROTECTION FOR ANY APPLICATION



PGR-8800



AF0500



AF0100

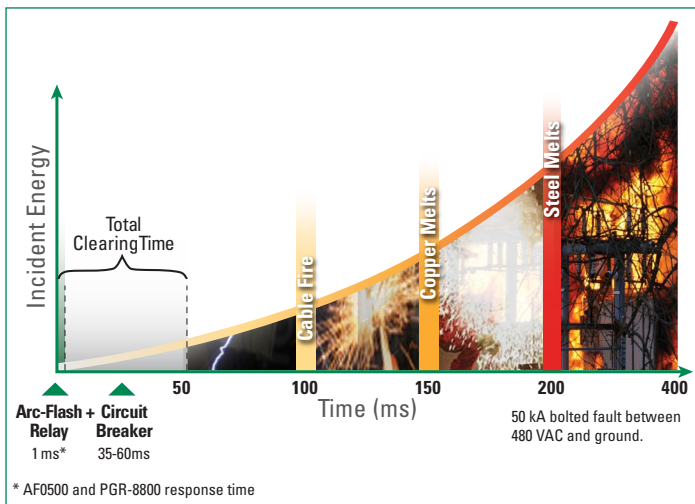


NEW AF0025

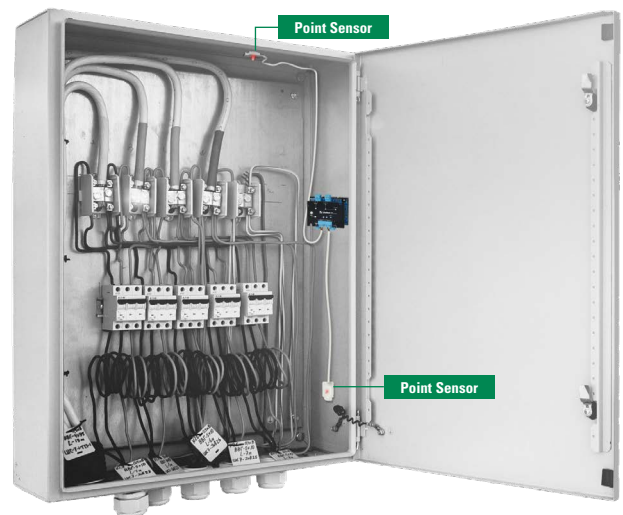
## Design Arc-Flash Safety Into the Panel with Industry-Leading Technology

- Detect and stop an arc flash in milliseconds
- Reduce arc-flash incident energy of the panel
- Simple plug & play installation
- Interchangeable light sensor flexibility
- Satisfies NFPA 70E, NEC 240.67, and NEC 240.87 without compromising coordination
- Always active; no complicated maintenance switches required

### Arc-Flash Relays Significantly Reduce Damage



### Combiner Box Protection with AF0025

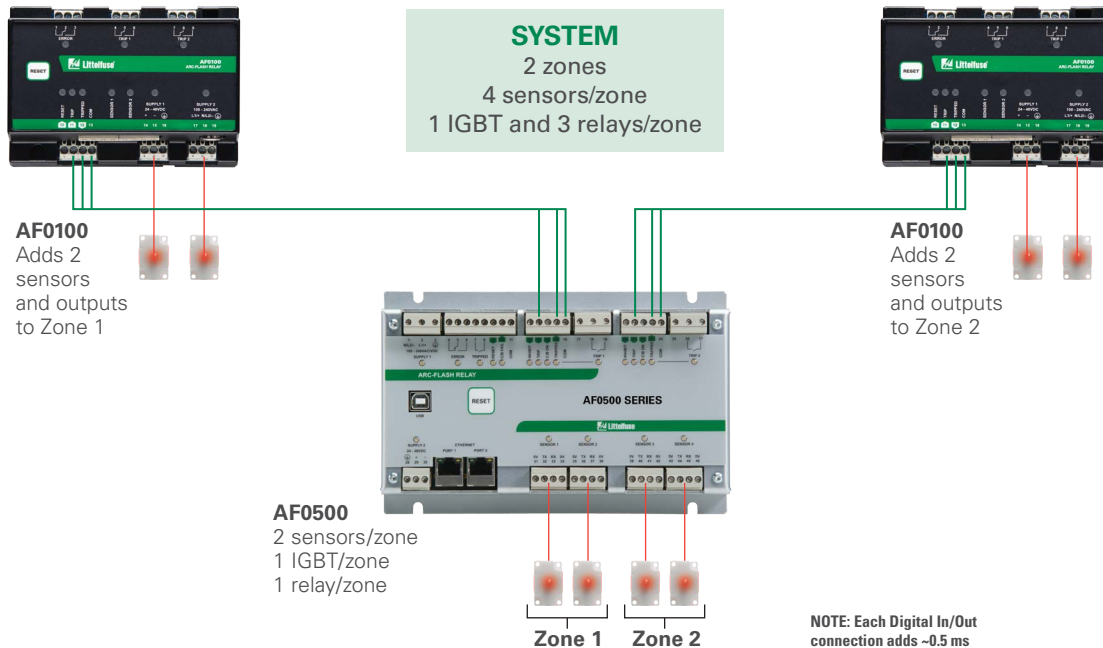


## Feature Comparison

Feature	AF0025 Space Saver	AF0100 Small & Scalable	AF0500 Zone & Tie-Breaker Trip	PGR-8800 Advanced Light & Current Sensing
Reliable Light Detection: inputs for point or fiber-optic sensors	2	2	4	6
High-Speed Trip Output	<5 ms typical	<3 to <8 ms depending on configuration	<1 ms	<1 ms
Redundant Internal Trip Path for added reliability	✓	✓	✓	✓
Light Sensor Health Monitoring	✓	✓	✓	✓
Breaker-Failure Detection and Upstream Tripping			✓	✓
Data Logging			✓	✓
Tie-Breaker Tripping			✓	
Zone Tripping			✓	
Network Communications			Dual Modbus-TCP	Modbus RTU
Light Waveform Capture				✓
Optional Current Sensing for Fault Verification				✓

### Build an Arc-Flash Protection System

Design a flexible protection system using the AF0100 and AF0500 together. Innovative digital input and output terminals let you interconnect as many arc-flash relays as needed to include the right number of light sensors, and create several zones. The result is customized protection without complex programming or configuration.



#### Authorized Distributor:

Disclaimer Notice—Information furnished is believed to be accurate and reliable. However, users should independently evaluate the suitability of and test each product selected for their own applications. Littelfuse products are not designed for, and may not be used in, all applications. Read complete Disclaimer Notice at [www.littelfuse.com/product-disclaimer](http://www.littelfuse.com/product-disclaimer).