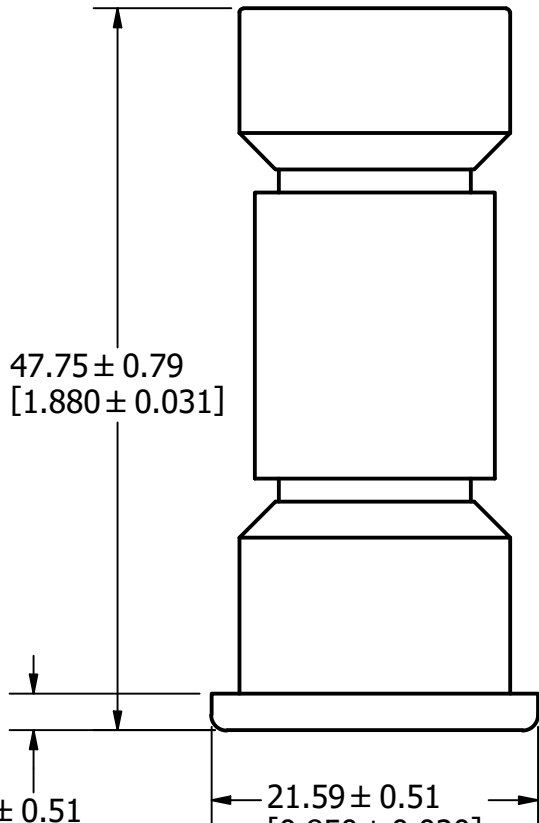


Ø17.91 ± 0.13  
[Ø0.705 ± 0.005]



47.75 ± 0.79  
[1.880 ± 0.031]

2.44 ± 0.51  
[0.096 ± 0.020]

21.59 ± 0.51  
[0.850 ± 0.020]

REVISION		
REV	DATE	DESCRIPTION
A	6/21/22	525330GCP - RELEASE MRY

APPROX. SHIPPING WEIGHT: 10 FUSES = 0.60 LB

1	NO	COMPONENT NO	DESCRIPTION	QTY/M	U/M
<b>BILL OF MATERIAL</b>					
<S>	CRITICAL CHARACTERISTIC FOR PART SAFETY/COMPLIANCE				
●	DENOTES CRITICAL CHARACTERISTICS.				
CPK	DENOTES CPK DIMENSIONS, -MINIMUM CPK VALUE				
⊠	DENOTES A CHARACTERISTIC THAT PROVIDES AN INDICATION OF PROCESS PERFORMANCE. PROCEDURE FOR MEASUREMENT AND TRACKING TO BE DEFINED IN LITTELFUSE INSPECTION INSTRUCTIONS.				
CP	DENOTES CP DIMENSIONS, -MINIMUM CP VALUE MUST BE WITHIN THE DIMENSIONAL LIMITATIONS SHOWN ON DRAWING AND INITIALLY LOCATED TO ALLOW FOR MAXIMUM TOOL LIFE.				<b>A</b>
MATL SPEC			FINISH		
DRW Jeff Moler	DATE 6/14/2022	SCALE NTS	FINISH GOOD WT GRAMS/PIECE		
UNLESS OTHERWISE SPECIFIED, DIMENSIONS ARE IN MILLIMETERS, DIMENSIONS IN BRACKETS [ ] ARE INCHES DIMENSIONING AND DO NOT INCLUDE PLATING. TOLERANCING TO BE INTERPRETED IN ACCORDANCE WITH ANSI Y14.5M-1994					
3RD ANGLE PROJECTION					
<b>TITLE</b> CCMR 35-60A OUTLINE					
<b>Littelfuse</b> CHICAGO, ILLINOIS 60631			REVISION <b>A</b>	DRWG NO. <b>OL-CCMR060</b>	SHEET 1 OF 1