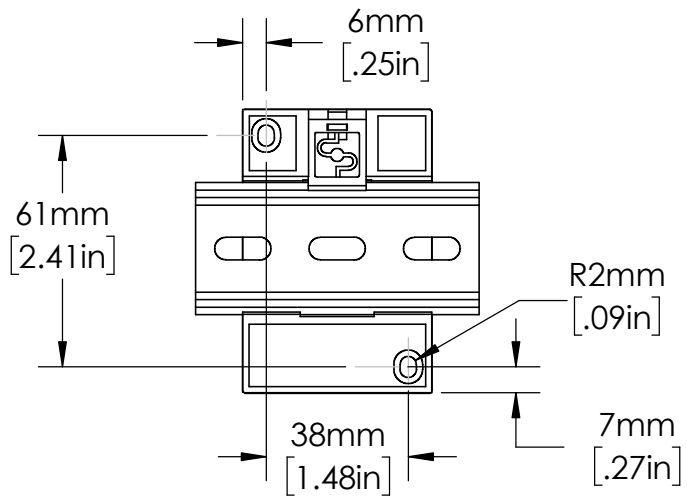
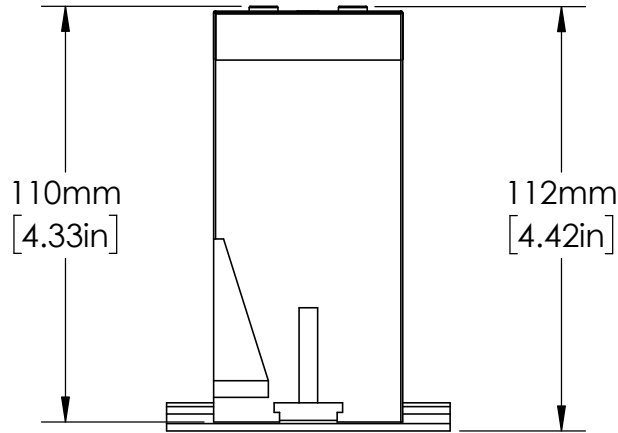
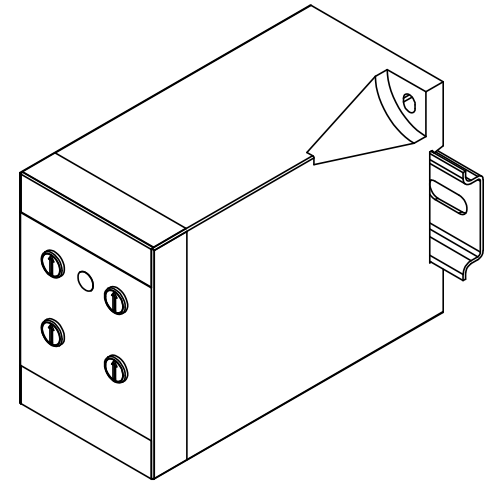


EN550022 (35.0 x 7.5mm)
DIN RAIL SHOWN



UNLESS NOTED OTHERWISE
DIMENSIONS ARE IN INCHES
TOLERANCES:
TWO PLACE DECIMAL ±0.05
NOT DRAWN TO SCALE

| | |
|------------------|---------|
| MATERIAL | |
| NAME | DATE |
| DRAWN BY J.MOLER | 1/27/23 |



DESCRIPTION:
VOLTAGE MONITORING
PROTECTION

PART NUMBER:
DLM SERIES

REV
A

WEIGHT:

SHEET 1 OF 1