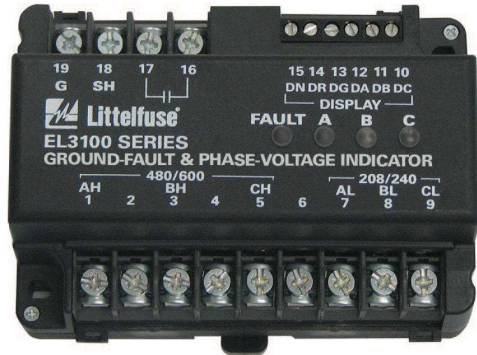


Protection Relays & Controls

EL3100 SERIES

Ground-Fault Protection – Grounded/Ungrounded AC •
Systems Ground-Fault & Phase-Voltage Indicator



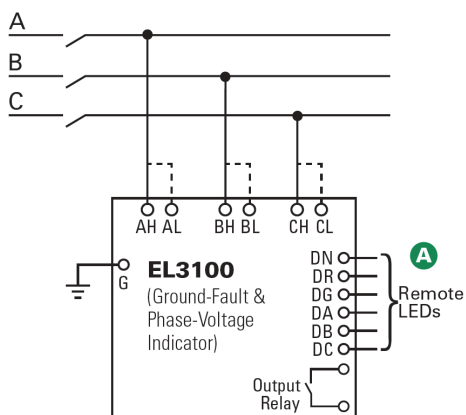
Description

The EL3100 is a self-powered ground-fault and phasevoltage indication system for 3-phase systems. The EL3100 meets the National Electrical Code (NEC) and the Canadian Electrical Code (CE) requirements for ground detectors for ungrounded alternating-current systems. Voltage connections are provided on the EL3100 for 208, 240, 480, and 600-V systems. Three green LED's on the EL3100 indicate the presence of phase-to-ground voltage and one red LED indicates a ground fault. The EL3100 can operate stand-alone or with up to five remote LED indicators. A solid-state relay output provides indication of a ground fault. The output relay is closed when the 3-phase neutral voltage shifts as the result of ground leakage.

Features & Benefits

FEATURES	BENEFITS
NEC® and CE Code compliant	Meets National Electrical Code (NEC®) Article 250.21 and Canadian Electrical Code Part 1, Rule 10-400 (2) requirements for ungrounded systems
Low-voltage remote LEDs	System voltage is not present at the remote LED location
Phase-voltage indication	Indicates the presence of voltage on both grounded and ungrounded systems
Output relay	Allows for remote ground-fault indication

Simplified Circuit Diagram



Protection Relays & Controls

EL3100 SERIES

Ground-Fault Protection – Grounded/Ungrounded AC •
Systems Ground-Fault & Phase-Voltage Indicator

Accessories

A



Remote LEDs

High-intensity 16-mm IP67 LED lamps available in red and green colors.

Specifications

Input Voltage	Input L: 208/240 Vac Input H: 480/600 Vac
Dimensions	H 87.0 mm (3.43") W 112.5 mm (4.43") D 56.0 mm (2.2")
Approvals	CSA certified, UL Listed (E340889)
Conformally Coated	Standard feature
Warranty	5 years
Mounting	DIN, Surface

Ordering Information

ORDERING NUMBER	MOUNTING	ACCESSORIES	REQUIREMENT
EL3100-00	DIN, Surface	RK-310X-0Y	Optional

Note: X=R for red LED and G for green LED
Y=0 for no label and 1 for a ground-fault label

Disclaimer Notice – Information furnished is believed to be accurate and reliable. However, users should independently evaluate the suitability of and test each product selected for their own applications. Littelfuse products are not designed for, and may not be used in, all applications. Read complete Disclaimer Notice at www.littelfuse.com/product-disclaimer.