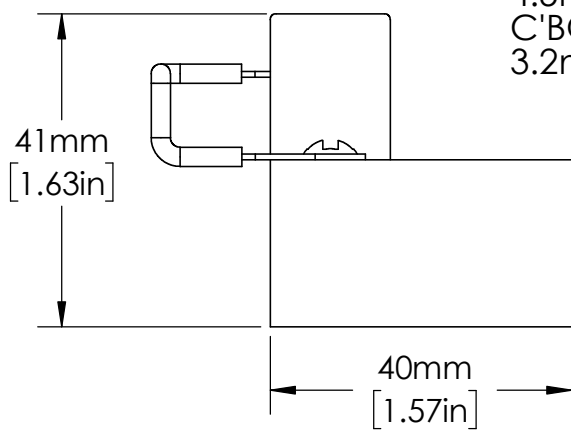
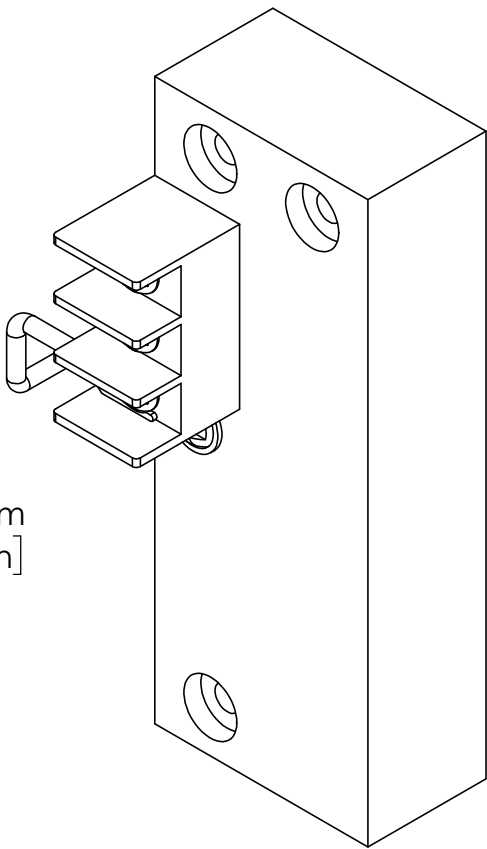


MOUNTING HOLES
 4.5mm (.18) DIA.
 C'BORE 10mm (.39) DIA.
 3.2mm (.13) DEEP



MATERIAL	
NAME	DATE
DRAWN BY J.MOLER 03/09/23	

UNLESS NOTED OTHERWISE
 DIMENSIONS ARE IN INCHES
 TOLERANCES:
 TWO PLACE DECIMAL ±0.05
 NOT DRAWN TO SCALE



DESCRIPTION: SENSING RESISTER	
PART NUMBER: ER-1000HV	REV A
WEIGHT:	SHEET 1 OF 1