

# General Purpose Switching Relay

## HCR-6 Series

3/4 Hp 125/250 V ac • 12 FLA 60 LRA 15 A Res. @ 125 V ac • 6 FLA 35 LRA 15 A Res. @ 250/277



### Description

The HCR-6 Series relay can be used in many HVAC applications along with general purpose switching applications involving appliances and fan controls. The relay is a single pole or double pole unit that can be provided in various contact forms with power or pilot duty ratings.

### Features & Benefits

FEATURES	BENEFITS
<b>SPNO, SPDT, DPNO &amp; DPDT switching configurations</b>	Meets multiple application needs
<b>Single make/single make contacts</b>	Ideal for single contact arrangements
<b>.250" (6.35 mm) quick connect terminals</b>	For easy installation
<b>Multi-positional mounting options</b>	For increased flexibility
<b>Dual coil terminals</b>	Simplifies coil resetting

### Applications

- HVAC/R
- Standby Power Supplies
- Telephone Exchanges

### Specifications

<b>Unit Weight</b>	6.08 oz
<b>Power Pole Terminations</b>	0.250" quick connects
<b>Coil Terminal Connections</b>	0.250" quick connects
<b>Operating Temperature</b>	-55 °C to 125 °C
<b>Arrangement</b>	SPST-NO; SPST-NC; SPDT; DPST-NO; DPST-NC; DPDT
<b>Specification Special Function</b>	Class B insulation system
<b>Mounting Method</b>	Chassis Mount
<b>Contact Material</b>	Silver Cadmium Oxide Alloy
<b>Power Rating</b>	3/4 Hp 125/250 V ac; 12 FLA 60 LRA 15 A Res. @ 125 V ac; 6 FLA 35 LRA 15A Res. @ 250/277 V ac; 3 FLA 18 LRA 12.5A Res. @ 480 V ac; 3 FLA 14 LRA 600 V ac
<b>Pilot Duty Rating</b>	1/10 Hp 125/250 V ac; 125 Va @ 125/250/480 VAC; 3 A 277 V ac
<b>Mechanical Life Expectancy</b>	1 million cycles
<b>Electrical Life Expectancy Resistive</b>	250,000 cycles
<b>Electrical Life Expectancy Inductive</b>	100,000 cycles
<b>Nominal Coil Power</b>	AC 9.5 VA

# General Purpose Switching Relay

## HCR-6 Series

### Certification & Compliance

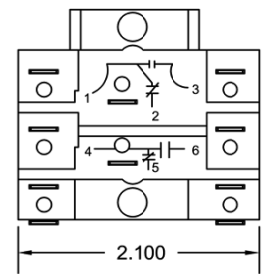
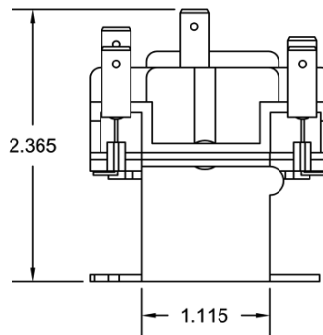
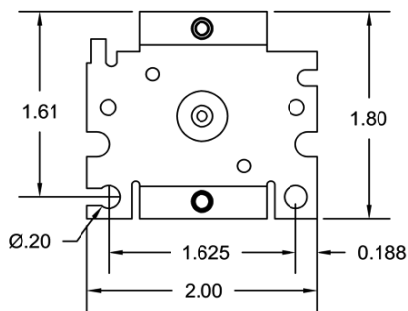
UL 508

File No. E227250

### Ordering Information

LITTELFUSE CATALOG NUMBER	SPECIFICATION CONTACTOR FORM PER CIRCUIT	FULL LOAD CURRENT INDUCTIVE	FULL LOAD CURRENT INDUCTIVE	FULL LOAD CURRENT RESISTIVE	LOCKED ROTOR CURRENT	SPECIFICATION LOCKED ROTOR CURRENT	SPECIFICATION PULL IN VOLTAGE	NOMINAL COIL VOLTAGE	WEIGHT
90340	DPDT	12 A @ 125 V ac	6 A @ 250/277 V ac	15 A	60 A @ 125 V ac	35 A @ 250/277 Vac	20.4 V	24 V	0.4 Lb
90341	DPDT	12 A @ 125 V ac	6 A @ 250/277 V ac	15 A	60 A @ 125 V ac	35 A @ 250/277 Vac	102 V	120 V	0.4 Lb
90342	DPDT	12 A @ 125 V ac	6 A @ 250/277 V ac	15 A	60 A @ 125 V ac	35 A @ 250/277 Vac	176 V	240 V	0.4 Lb

### Dimensions



**Disclaimer Notice** – Information furnished is believed to be accurate and reliable. However, users should independently evaluate the suitability of and test each product selected for their own applications. Littelfuse products are not designed for, and may not be used in, all applications. Read complete Disclaimer Notice at [www.littelfuse.com/product-disclaimer](http://www.littelfuse.com/product-disclaimer).