

# INSTALLATION INSTRUCTIONS

Revision B1  
Rapid City, SD, USA, 08/2009

# PumpSaver® Plus

ELECTRONIC PUMP  
CONTROL & PROTECTION

## MODEL 235P



II-235P-B

## DANGER!



HAZARDOUS VOLTAGES MAY BE PRESENT DURING INSTALLATION.

Electrical shock can cause death or serious injury.

Installation should be done by qualified personnel following all national, state and local electrical codes.



**BE SURE POWER IS DISCONNECTED PRIOR TO INSTALLATION!  
FOLLOW NATIONAL, STATE AND LOCAL CODES.  
READ THESE INSTRUCTIONS ENTIRELY BEFORE INSTALLATION.**

The Model 235P Single-phase PumpSaver®Plus is a pump monitor designed to protect single-phase pumps from dry-well, dead-head, rapid-cycle, jammed impeller, and over/under voltage conditions. The PumpSaver®Plus Model 235P protects 5 to 15 HP, 230VAC pumps. Typical applications include submersible pumps, centrifugal pumps, cooling pumps, environmental pumps, residential water wells, commercial water wells, irrigation wells, and golf course or other sprinkler equipment.

### CONNECTIONS

**NOTE: Use with UL/CSA listed overload or impedance protected pumps or motors only.**

1. Mount the PumpSaver®Plus Model 235P in a convenient location in or near the pump control box. If the location is wet or dusty, a NEMA 3R, 4, or 12 enclosure should be used. The PumpSaver®Plus must be protected by a fuse or circuit breaker.
2. Connect a current transformer (CT) to the PumpSaver's terminals marked CT1 and CT2. (see Table 1 for proper CT sizing).

**NOTE: The Model 235P will not function without an external current transformer. A UL Listed current transformer must be selected based on Table 1.**

3. Connect the PumpSaver's terminals marked 'L1', 'L2 IN' and 'L2 OUT'.
4. Refer to the appropriate wiring diagram for your specific application.
  - Typical wiring diagram – Figure 1
  - Standard 3-wire control box – Figure 2
  - Deluxe control box – Figure 3

**NOTE: One line from the fused disconnect must pass through the current transformer.**

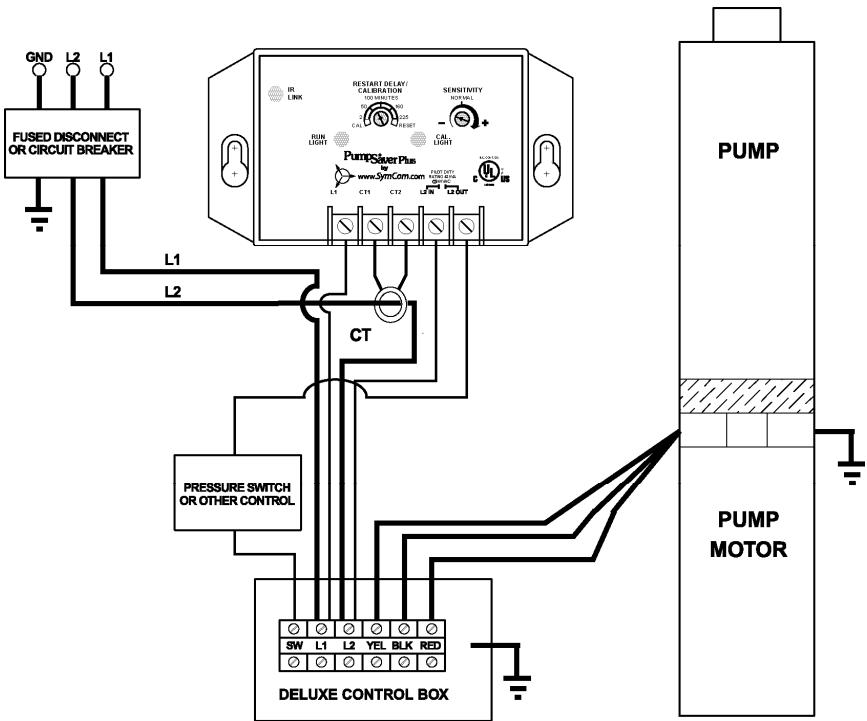
**NOTE: The PumpSaver®Plus may not detect a dead-head (blocked pipe) condition on applications where the pump is undersized for a given motor or flow restrictors are used on high stage pumps or low yield wells.**

**\*\*\* WARNING \*\*\***

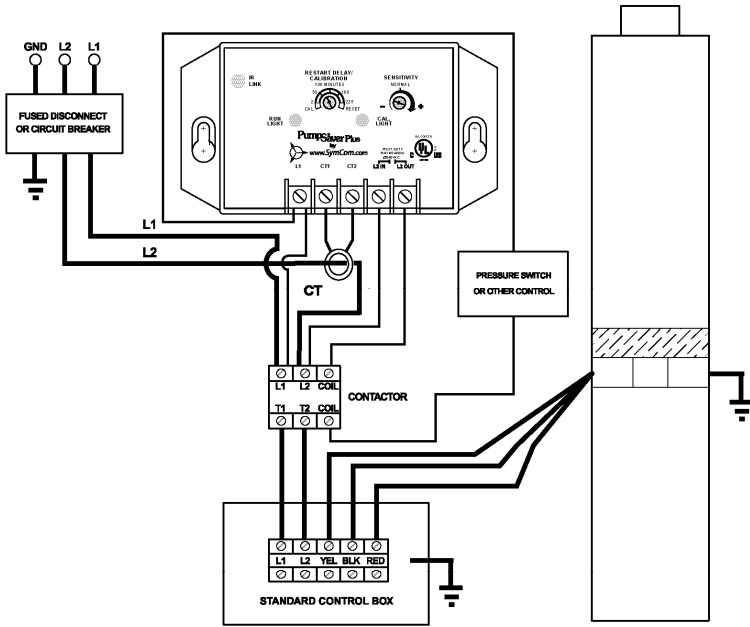
**PROPER OPERATION REQUIRES FIELD CALIBRATION**

Size	Current	CT
5-7 ½ HP	27.5 – 42.1	50:5
10 HP	51	75:5
15 HP	75	100:5

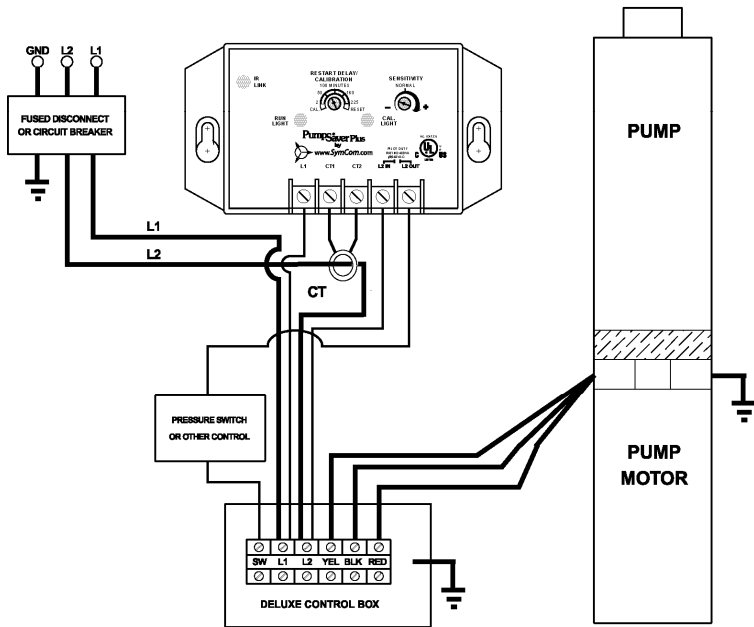
**TABLE 1: Current Transformer Selection**



**FIGURE NO.1: Typical Wiring Diagram**



**FIGURE NO. 2: Standard Control Box**



**FIGURE NO. 3: Deluxe Control Box**

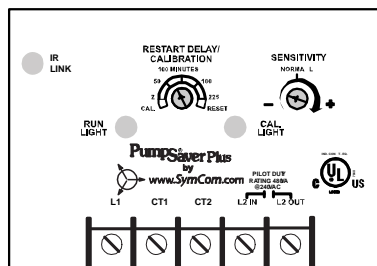
## OPERATION

The PumpSaver®Plus monitors pump load in amps and kilowatts. When the current (amps) exceeds approximately 125% of calibrated current, or power (kW) drops below the adjustable underload trip point, the PumpSaver®Plus—after the trip delay—will turn off the pump. The PumpSaver®Plus will time through the restart delay, and then restart the pump. The calibration is stored in permanent memory—it **does not need to be recalibrated if power is lost**.

## CALIBRATION

**NOTE: The PumpSaver®Plus should be calibrated during normal pumping conditions.**

1. Turn the **RESTART DELAY/ CALIBRATION** knob fully counter-clockwise to the **CAL.** position.
2. Apply power—the pump will run for approximately 10 seconds then shut off.
3. Set the **RESTART DELAY/ CALIBRATION** knob to the desired restart delay (dry-well recovery time)—the pump will turn on.



**NOTE: If the PumpSaver®Plus immediately trips (blinking green) upon completion of the calibration process, the current transformer may be installed incorrectly. Swap the CT1 and CT2 wires on the terminal strip, then repeat the calibration process beginning with Step #1.**

## CALIBRATING WHILE PUMPING

The PumpSaver®Plus can also be calibrated while the pump is running. Turn the **RESTART DELAY/ CALIBRATION** knob to **CAL.** while pumping. Wait for the pump to turn off (approximately 10 seconds), then adjust the **RESTART DELAY/ CALIBRATION** knob to the desired setting.

## SENSITIVITY

The PumpSaver®Plus has an adjustment knob to set the underload trip sensitivity. Setting **SENSITIVITY** to the middle position (straight up) is equivalent to SymCom's standard underload trip level. Adjust the **SENSITIVITY** knob to increase/decrease underload sensitivity up to approximately 10% of the standard trip. It may be necessary to increase the sensitivity if the PumpSaver®Plus does not trip on dry-run or dead-head or it is known that the water level in the well is very low relative to the pump's capabilities.

**WARNING: Decreasing the SENSITIVITY may compromise the PumpSaver®Plus' ability to detect dry-run and/or dead-head conditions.**

## RESET MODE / RESTART DELAY

Any restart delay can be by-passed by rotating the **RESTART DELAY/ CALIBRATION** knob to the **RESET** position and back to the desired restart delay setting.

**NOTE: The restart delay setting can be changed at any time. The current and subsequent trips will follow the new restart delay setting.**

The **RESTART DELAY/ CALIBRATION** knob can be placed in the **RESET** position for manual reset. If the PumpSaver®Plus trips off in this mode due to a voltage or load problem, the **RESTART DELAY/ CALIBRATION** knob must be rotated out of the **RESET** position to restart the pump.

## **RUN HOURS / FAULT HISTORY**

The PumpSaver®Plus records pump run hours and the last 20 faults. These values can be displayed by a PumpSaver® Informer (see **USING AN INFORMER** later in this document). Run hours and fault history can be cleared on the PumpSaver®Plus. Read the following instructions fully before performing the procedure.

**NOTE: Turn the SENSITIVITY knob completely to the left (counter-clockwise) or completely to the right (clockwise) when directed. The knob must be turned in quick succession.**

### **To Reset Run Hours and Clear Fault History:**

1. Remove power to the PumpSaver®Plus.
2. Set the **RESTART DELAY/ CALIBRATION** knob to **RESET** and the **SENSITIVITY** knob to the middle (12:00) position.
3. Apply power to the PumpSaver®Plus—the **CAL. LIGHT** will turn on.
4. Turn the **SENSITIVITY** knob to the **right**—the **CAL. LIGHT** will turn off and the **RUN LIGHT** will turn on.
5. Turn the **SENSITIVITY** knob to the **left**—both lights will turn on.
6. Turn the **SENSITIVITY** knob to the **right**.
7. After 10 seconds, the **CAL.** and **RUN LIGHTS** will blink twice indicating the run hours and fault history have successfully been cleared.

## **RAPID CYCLING**

Rapid cycling is defined as more than 4 restarts in a 60-second period. The PumpSaver®Plus is capable of detecting a rapid-cycle condition whether a control device, such as a pressure switch, is installed before\* or after it. Upon detecting either form of rapid cycling, the PumpSaver®Plus will lock-out, preventing damage to the pump. To reset the PumpSaver®Plus, remove and re-apply power.

### **RAPID CYCLING (Line-Side / Upstream)**

Rapid cycling of the line side of the PumpSaver®Plus may be caused by several naturally occurring conditions which are indistinguishable from true rapid cycling. For this reason, once tripped, the PumpSaver®Plus will wait 30 minutes and restart. If the restart is successful (the pump runs for more than one minute), the rapid cycle counter will reset to zero. If the PumpSaver®Plus encounters rapid cycle 4 times without a successful restart, it will lock-out and require a manual reset. To reset the PumpSaver®Plus, remove and re-apply power.

\*Protection against rapid cycling of a control device installed **before** the PumpSaver®Plus is disabled by default. Read the following instructions fully before performing the procedure to enable his feature.

**NOTE: Turn the SENSITIVITY knob completely to the left (counter-clockwise) or completely to the right (clockwise) when directed. The knob must be turned in quick succession.**

### **To Enable Line-Side/Upstream Rapid-Cycle Protection:** (to disable, follow the same procedure)

1. Remove power to the PumpSaver®Plus.
2. Set the **RESTART DELAY/ CALIBRATION** knob to **RESET** and the **SENSITIVITY** knob to the middle (12:00) position.
3. Apply power to the PumpSaver®Plus —the **CAL. LIGHT** will turn on.
4. Turn the **SENSITIVITY** knob to the **right**—the **CAL. LIGHT** will turn off, **RUN LIGHT** will turn on.

5. Turn the **SENSITIVITY** knob to the **left**—both lights will turn on.
6. Turn the **SENSITIVITY** knob **right—left—right—left—right**.
7. After 2 seconds, the **CAL.** and **RUN LIGHTS** will blink once indicating line-side rapid-cycle protection has been enabled.

### **RAPID CYCLING (Load-Side / Downstream)**

Load-side rapid cycling of the pump will immediately result in a manual lock-out. The pump will not restart automatically. To reset the PumpSaver®Plus, remove and re-apply power.

Note: Protection against rapid cycling of a control device installed **after** the PumpSaver®Plus is always enabled. Disabling line-side detection will **not** disable load-side detection.

### **USING AN INFORMER**

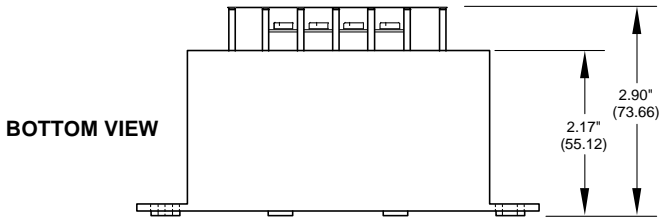
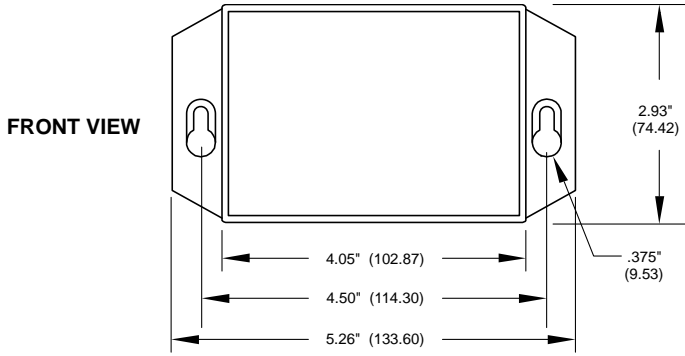
PumpSaver®Plus products are equipped with an infrared LED that will communicate to a SymCom Informer—a handheld, battery-operated, diagnostic tool. The Informer—when directed at the PumpSaver®Plus—will display real-time voltage, current and power; dry-well and overcurrent trip points; calibration voltage; last 20 faults; voltage, current and power at the last fault; highest/lowest voltage and current since calibration; the model number; and the CT size if applicable. The Informer can be used on any single-phase PumpSaver®Plus equipped with an infrared LED transmitter. Contact SymCom for more information at 800-843-8848 or visit our website: [www.symcom.com](http://www.symcom.com).

## TROUBLESHOOTING

<b>RUN LIGHT</b>	<b>CAL. LIGHT</b>	<b>PROBLEM or FUNCTION</b>	<b>CORRECTIVE ACTION</b>
On Steady	Off	<b>RUN:</b> Pump is running—or ready to run—no problems in operation	None
On Steady	On Steady	<b>CAL:</b> The PumpSaver®Plus is in the calibration process.	None
Off	On Steady	<b>CAL COMPLETE:</b> The PumpSaver®Plus is calibrated, the <b>RESTART DELAY/ CALIBRATION</b> knob was left in the <b>CAL.</b> position. Pump is off.	Pump will restart as soon as the <b>RESTART DELAY/ CALIBRATION</b> knob is rotated out of the <b>CAL.</b> position.
Off	Off	<b>OFF / MANUAL RESTART:</b> The pump is not running. Either the PumpSaver®Plus has tripped on dry-run, dead-head, or overcurrent while the <b>RESTART DELAY/ CALIBRATION</b> knob was in the <b>RESET</b> position or source power is not present.	If knob is in the <b>RESET</b> position, rotate out of <b>RESET</b> —If the <b>CAL.</b> light blinks, check for an overcurrent condition. If the <b>RUN</b> light blinks, look for a dry-run or dead-head condition. If no lights come on, check incoming power for adequate voltage.
Blinking	Off	<b>DRY RUN / DEAD HEAD:</b> The PumpSaver®Plus has shut the pump off due to a dry-run or dead-head condition. The unit is timing through the restart delay and will try to restart.	Check for restricted flow or inadequate supply of liquid.
Off	Blinking	<b>OVERCURRENT:</b> The PumpSaver®Plus has shut the pump off due to an overcurrent condition. The unit is timing through the restart delay and will try to restart if line voltage is at an acceptable level.	Check for low or high voltage or jammed pump impellers. If these conditions do not exist, recalibrate the unit while it is drawing higher current (amps should not exceed SFA).
Blinking alternately with the <b>CAL. LIGHT</b>	Blinking alternately with the <b>RUN LIGHT</b>	<b>VOLTAGE FAULT:</b> The PumpSaver®Plus is preventing the pump from starting due to voltage problems. The voltage is being interrogated and the unit will remain in this mode until the voltage is at an acceptable level.	If the unit remains in this state for more than 5 seconds, check for high or low voltage.
Blinking in unison with the <b>CAL. LIGHT</b>	Blinking in unison with the <b>RUN LIGHT</b>	<b>RAPID CYCLE:</b> The PumpSaver®Plus has shut down on rapid cycling. Power must be removed and reapplied to reset the unit.	Check for a broken bladder in the pressure tank (if used), or check for a defective pressure or float switch.



# PHYSICAL DIMENSIONS



## **SPECIFICATIONS**

<b>Functional Specifications</b>	
Adjustments/Settings	
Overcurrent	125% of calibration point
Underload (dry-well)	Adjustable (70-90% of calibrated run power)
Overvoltage	265VAC
Undervoltage	190VAC
Number of restarts allowed in 60 second period (rapid-cycling)	4
Trip Delay Times	
Overcurrent	5 seconds
Dry-well	4 seconds
Restart Delay Times	
Over/undervoltage	2 seconds
All other faults	Manual, 2-225 minutes
<b>Input Characteristics</b>	
Supply Voltage	230VAC
Load Range	5 to 15hp (external current transformer required)
Frequency	50/60 Hz (note: 50Hz will increase all delay timers by 20%)
<b>Output Characteristics</b>	
Output Contact Rating-SPST	720VA @ 240VAC
<b>General Characteristics</b>	
Ambient Operating Temperature	-40° to 55°C (-40° to 131°F)
Maximum Input Power	5 W
Wire Gauge	Solid or stranded 10 - 22AWG
Terminal Torque	13 in.-lbs.
Standards Passed	
Electrostatic Discharge (ESD)	IEC 61000-4-2, Level 2, 4kV contact, 6kV air
Surge Immunity	IEC 61000-4-5, Level 4, 4kV line-to-line and line-to-ground
Safety Marks	
ULC Listed	UL508, C22.2 No. 14
Dimensions	2.90" H x 5.26" W x 2.93" D
Weight	14 oz.
Mounting Methods	#8 screws

**NOTES**

For warranty information, please see **Terms and Conditions** at  
[www.symcom.com](http://www.symcom.com)

*Visit us at [www.symcom.com](http://www.symcom.com) to see  
our complete product listing!*

*Need something special?*

*Contact SymCom today  
for your custom solution!  
800-843-8848*