



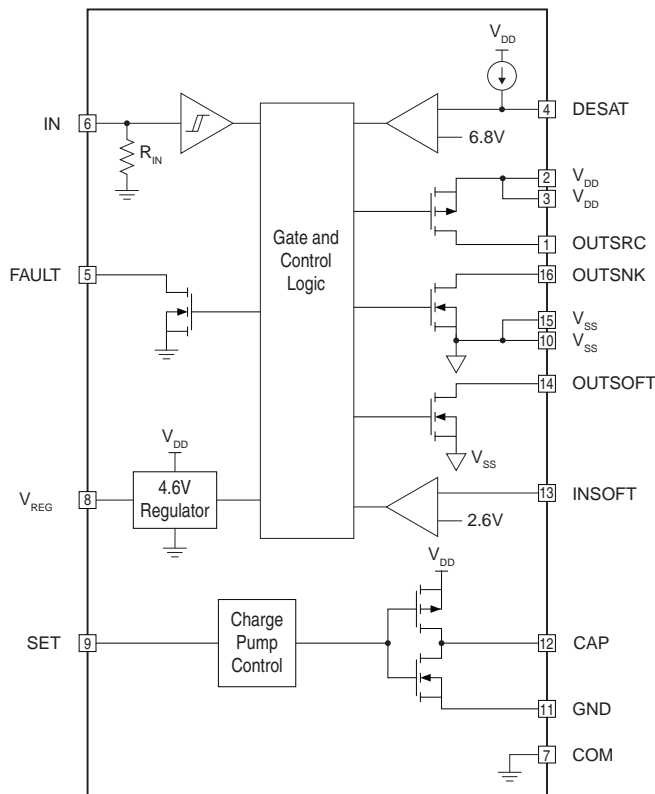
Features

- AEC-Q100 qualified
- Separate 9A peak source and sink outputs
- Operating Voltage Range: -10V to +25V
- AEC-Q100 Operating Temperature Grade 1: -40°C to +125°C
- AEC-Q100 Human Body Model (HBM) ESD Classification 2: ± 2kV
- Internal charge pump regulator for selectable negative gate drive bias
- Desaturation detection with soft shutdown sink driver
- TTL and CMOS compatible input
- Under Voltage lockout (UVLO)
- Thermal shutdown
- Open drain FAULT output

Applications

- On-board chargers
- DC-DC converters
- Electric vehicle charging stations
- Motor controllers
- Power inverters

IX4351NEAU Functional Block Diagram



Description

The IX4351NEAU is an automotive grade, AEC-Q100 qualified gate driver, designed specifically to drive SiC MOSFETs and high power IGBTs. Separate 9A source and sink outputs allow for tailored turn-on and turn-off timing while minimizing switching losses. An internal negative charge regulator provides a selectable negative gate drive bias for improved dV/dt immunity and faster turn-off.

Desaturation detection circuitry senses an over current condition of the SiC MOSFET and initiates a soft turn off, thus preventing a potentially damaging dV/dt event. The non-inverting logic input, IN, is TTL and CMOS compatible; internal level shifters provide the necessary bias to accommodate negative gate drive bias voltages. Additional protection features include UVLO detection and thermal shutdown. An open drain FAULT output signals a fault condition to the microcontroller.

The IX4351NEAU is AEC-Q100 Grade1 rated for an operational ambient temperature range of -40°C to +125°C, and is available in a thermally enhanced 16-pin narrow SOIC package.

Ordering Information

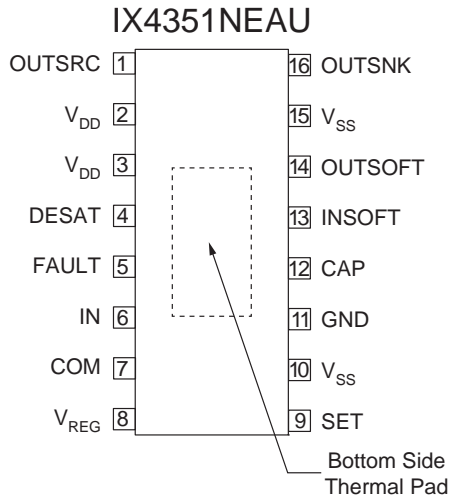
| Part | Description |
|--------------|---|
| IX4351NEAU | 16-Pin narrow SOIC with exposed thermal pad. In tubes (50/Tube) |
| IX4351NEAUTR | 16-Pin narrow SOIC with exposed thermal pad. In Tape & Reel (2000/Reel) |



| | |
|---|-----------|
| 1. Specifications | 3 |
| 1.1 Package Pinout | 3 |
| 1.2 Pin Description | 3 |
| 1.3 Absolute Maximum Ratings | 4 |
| 1.4 Recommended Operating Conditions | 4 |
| 1.5 Electrical Characteristics | 4 |
| 1.6 Thermal Characteristics | 6 |
| 2. Performance Data | 7 |
| 3. Functional Description | 9 |
| 3.1 Power Supplies | 9 |
| 3.2 Logic Input (IN) | 9 |
| 3.3 Gate Drive Outputs | 9 |
| 3.4 Internal 4.6V Regulator (V_{REG}) | 10 |
| 3.5 Negative Supply Voltage (V_{SS}) Generation | 10 |
| 3.6 Desaturation Detection and Protection | 10 |
| 3.7 DESAT Input Component Selection | 11 |
| 3.8 DESAT Blanking Time Stretching | 12 |
| 3.9 Thermal Shutdown | 12 |
| 3.10 FAULT Output | 12 |
| 4. Manufacturing Information | 13 |
| 4.1 Moisture Sensitivity | 13 |
| 4.2 ESD Sensitivity | 13 |
| 4.3 Soldering Profile | 13 |
| 4.4 Board Wash | 13 |
| 4.5 Mechanical Dimensions | 14 |

1 Specifications

1.1 Package Pinout



1.2 Pin Description

| Pin# | Name | Pin Type | Description |
|--------|------------------|----------|---|
| 1 | OUTSRC | Output | Gate driver, source |
| 2, 3 | V _{DD} | Power | Positive supply voltage: Connect pin 2 to pin 3 on printed circuit board (PCB) |
| 4 | DESAT | Input | Sense input for desaturation detection |
| 5 | FAULT | Output | Fault status, Open-Drain, active low. |
| 6 | IN | Input | Logic input |
| 7 | COM | Power | Common ground connection: Connect to GND |
| 8 | V _{REG} | Output | 4.6V regulator output |
| 9 | SET | Input | Sets negative supply voltage (V _{SS}) level |
| 10, 15 | V _{SS} | Power | Negative supply voltage: Connect pin 10 to pin 15 on the PCB |
| 11 | GND | Power | Charge pump ground connection: Connect to COM |
| 12 | CAP | Output | Charge pump output |
| 13 | INSOFT | Input | Soft Shutdown sense input |
| 14 | OUTSOFT | Output | Soft Shutdown - Gate driver, sink |
| 16 | OUTSNK | Output | Gate driver, sink |
| - | Thermal Pad | Thermal | Must be connected to V _{SS} or left floating. Do not connect to any other signal or net. |

1.3 Absolute Maximum Ratings

Unless otherwise specified all voltages are with respect to V_{COM} and electrical ratings are over the operational ambient temperature range.

| Parameter | Symbol | Minimum | Maximum | Units |
|----------------------------|---------------------------------------|----------------|----------------|----------------|
| Positive Supply Voltage | V_{DD} | -0.3 | 32 | V |
| Negative Supply Voltage | V_{SS} | -10 | 0 | V |
| Supply Voltage Range | $V_{DD} - V_{SS}$ | -0.3 | 40 | V |
| Ground Separation | V_{GND} | -0.3 | +0.3 | V |
| Gate Drive Output Voltages | $V_{OUTSRC}, V_{OUTSNK}, V_{OUTSOFT}$ | $V_{SS} - 0.3$ | $V_{DD} + 0.3$ | V |
| Gate Drive Output Current | I_{OUTSRC}, I_{OUTSNK} | - | ± 9 | A _P |
| IN Input Voltage | V_{IN} | -0.3 | 7 | V |
| DESAT Input Voltage | V_{DESAT} | -0.3 | $V_{DD} + 0.3$ | V |
| SET Input Voltage | V_{SET} | -1 | 7 | V |
| FAULT Output Voltage | V_{FAULT} | -0.3 | $V_{DD} + 0.3$ | V |
| V_{REG} Output Voltage | V_{REG} | -0.3 | 7 | V |
| Junction Temperature | T_J | -55 | +150 | °C |
| Storage Temperature | T_{STG} | -55 | +150 | °C |

1.4 Recommended Operating Conditions

| Parameter | Symbol | Minimum | Maximum | Units |
|-------------------------------|----------|---------|---------|-------|
| Positive Supply Voltage | V_{DD} | 13 | 25 | V |
| Negative Supply Voltage | V_{SS} | -3.5 | -10 | V |
| Input Voltage | V_{IN} | 0 | 5.5 | V |
| Operating Ambient Temperature | T_A | -40 | 125 | °C |

1.5 Electrical Characteristics

Unless otherwise specified, electrical characteristics are guaranteed at: $V_{DD}=20V$, $V_{SS}=-5V$, $COM=GND=0V$, $V_{INH}=5V$, $V_{INL}=0V$, $C_{DD}=C_{REG}=4.7\mu F$, $C_{SS}=10\mu F$, and $-40^\circ C \leq T_A \leq +125^\circ C$.

1.5.1 V_{DD}

| Parameter | Conditions | Symbol | Minimum | Typical | Maximum | Units |
|-----------------------------------|---|-------------|---------|---------|---------|-------|
| Operating V_{DD} Supply Current | $f_{IN}=100kHz, V_{SET}=0.4V, C_{LOAD}=2.2nF$ | I_{DD} | - | 19 | 28 | mA |
| Quiescent V_{DD} Supply Current | $V_{IN}=0V, V_{SET}=-0.4V, \text{No load}$ | I_{DDQ} | - | 2.9 | 4.4 | mA |
| V_{DD} UVLO Rising Threshold | - | V_{DDUV+} | 10 | 12 | 13 | V |
| V_{DD} UVLO Hysteresis | - | V_{DDHYS} | - | 2 | - | V |

1.5.2 V_{REG}

| Parameter | Conditions | Symbol | Minimum | Typical | Maximum | Units |
|--------------------------|------------------------------------|------------------|---------|---------|---------|-------|
| Regulator Output Voltage | $I_{REG}=-5mA$ | V_{REG} | 4.2 | 4.6 | 5 | V |
| Line Regulation | $15V < V_{DD} < 25V, I_{REG}=-5mA$ | ΔV_{REG} | - | 0.1 | 0.2 | V |
| Load Regulation | $-1mA \leq I_{REG} \leq -10mA$ | | - | 0.1 | 0.4 | V |

1.5.3 Charge Pump and V_{SS}

| Parameter | Conditions | Symbol | Minimum | Typical | Maximum | Units |
|-------------------------------|----------------------------------|-----------|---------|---------|---------|-------|
| Negative Supply Voltage Range | - | V_{SS} | -3.5 | - | -8 | V |
| Average V_{SS} Current | $C_{FLY}=68nF, R_{FLY}=33\Omega$ | I_{SS} | - | - | 50 | mA |
| Charge Pump Frequency | $V_{SET} = -0.4V$ | f_{OSC} | 90 | 124 | 160 | kHz |

1.5.4 Desaturation

| Parameter | Conditions | Symbol | Minimum | Typical | Maximum | Units |
|--------------------------------|--------------------|----------------|---------|---------|---------|----------|
| DESAT Source Current | $V_{DESAT}=0V$ | I_{DESAT} | 400 | 570 | 750 | μA |
| DESAT Detect Threshold Voltage | - | $V_{DESAT,TH}$ | 6 | 6.8 | 8 | V |
| Blanking Time | $C_{BLANK}=0\mu F$ | t_{BLANK} | - | 250 | - | ns |
| DESAT Pull Down On-Resistance | - | $R_{DST(on)}$ | - | 900 | - | Ω |

1.5.5 Thermal Shutdown

| Parameter | Conditions | Symbol | Minimum | Typical | Maximum | Units |
|------------------------------|------------|--------------------|---------|---------|---------|-------------|
| Thermal Shutdown Temperature | - | TSD | - | 160 | - | $^{\circ}C$ |
| Thermal Shutdown Hysteresis | - | TSD _{HYS} | - | 20 | - | $^{\circ}C$ |

1.5.6 I_N

| Parameter | Conditions | Symbol | Minimum | Typical | Maximum | Units |
|--------------------------------|-------------|-------------|---------|---------|---------|-----------|
| High Level Logic Input Voltage | - | V_{INH} | 2.2 | - | - | V |
| Low Level Logic Input Voltage | - | V_{INL} | - | - | 1 | V |
| Input Voltage Hysteresis | - | V_{INHYS} | 0.2 | 0.4 | - | V |
| High Level Input Current | $V_{IN}=5V$ | I_{INH} | - | 50 | 70 | μA |
| Low Level Input Current | $V_{IN}=0V$ | I_{INL} | - | - | -10 | μA |
| Input Pull-Down Resistance | $V_{IN}=5V$ | R_{IN} | - | 100 | - | $k\Omega$ |

1.5.7 FAULT

| Parameter | Conditions | Symbol | Minimum | Typical | Maximum | Units |
|---|------------------|----------------|---------|---------|---------|---------|
| Output Low Voltage | $I_{FAULT}=20mA$ | V_{FAULTL} | - | - | 0.8 | V |
| Output Leakage Current | $V_{FAULT}=20V$ | I_{FAULT} | - | 0.1 | 10 | μA |
| DESAT Detect to FAULT Propagation Delay | - | $t_{FAULTDLY}$ | - | 150 | - | ns |

1.5.8 Soft Shutdown

| Parameter | Conditions | Symbol | Minimum | Typical | Maximum | Units |
|---|-----------------------------------|-------------------------|---------|---------|---------|----------|
| Soft Shutdown Threshold Voltage | - | $V_{\text{INSOFT,TH}}$ | 2.3 | 2.6 | 3 | V |
| Soft Shutdown Hysteresis | - | $V_{\text{INSOFTHYS}}$ | - | 0.4 | - | V |
| OUTSOFT Peak Sink Current | - | I_{OUTSOFT} | - | 900 | - | mA |
| OUTSOFT On-Resistance | $I_{\text{OUTSOFT}}=100\text{mA}$ | R_{OUTSOFT} | - | 6 | 15 | Ω |
| DESAT Detect to OUTSOFT Propagation Delay | - | $t_{\text{OUTSOFTDLY}}$ | - | 125 | - | ns |

1.5.9 Gate Drive Output

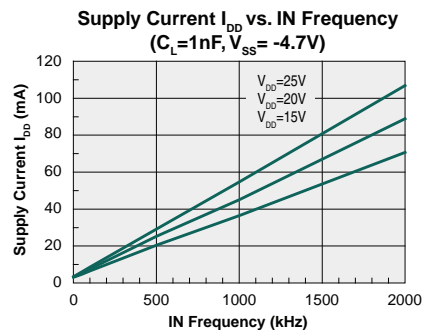
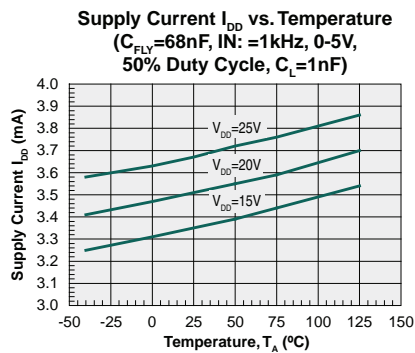
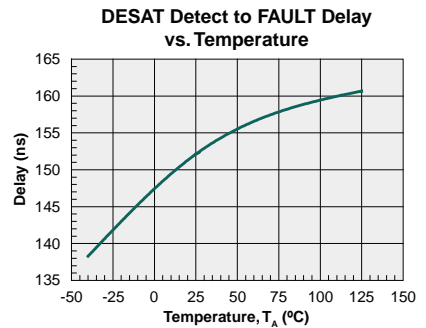
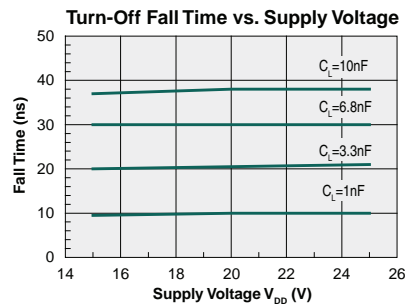
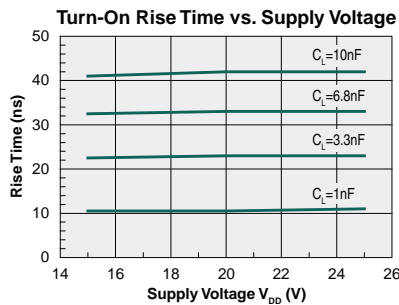
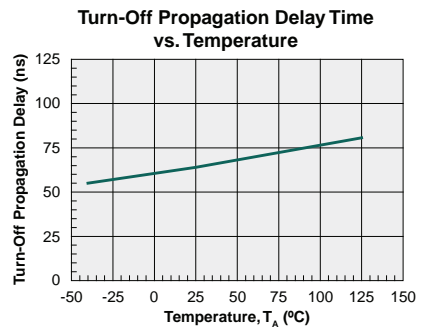
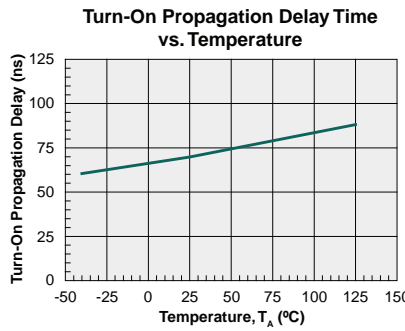
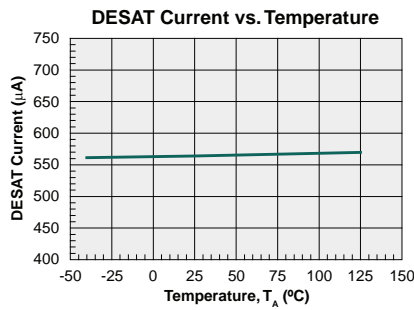
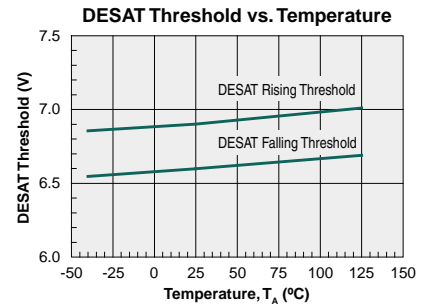
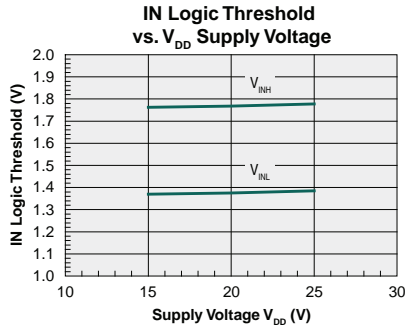
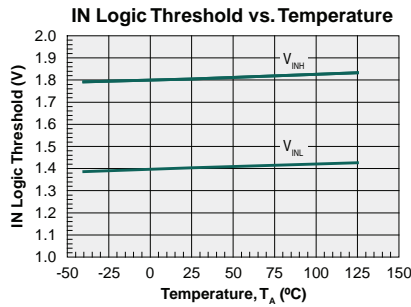
| Parameter | Conditions | Symbol | Minimum | Typical | Maximum | Units |
|---------------------------------|-----------------------------------|---------------------|----------------------|---------|---------|----------|
| High Level Output Voltage | $I_{\text{OUTSRC}}=-100\text{mA}$ | V_{OUTSRC} | $V_{\text{DD}}-0.25$ | - | - | V |
| Low Level Output Voltage | $I_{\text{OUTSNK}}=100\text{mA}$ | V_{OUTSNK} | - | - | 0.25 | V |
| OUTSRC On-Resistance | $I_{\text{OUTSRC}}=-100\text{mA}$ | R_{OUTSRC} | - | 1.16 | 2 | Ω |
| OUTSNK On-Resistance | $I_{\text{OUTSNK}}=100\text{mA}$ | R_{OUTSNK} | - | 0.8 | 1.5 | Ω |
| Turn-On Propagation Delay Time | $C_{\text{LOAD}}=1\text{nF}$ | t_{ON} | - | 75 | 125 | ns |
| Turn-Off Propagation Delay Time | $C_{\text{LOAD}}=1\text{nF}$ | t_{OFF} | - | 65 | 125 | ns |
| Turn-On Rise Time | $C_{\text{LOAD}}=1\text{nF}$ | t_{R} | - | 10 | 20 | ns |
| Turn-Off Fall Time | $C_{\text{LOAD}}=1\text{nF}$ | t_{F} | - | 10 | 20 | ns |

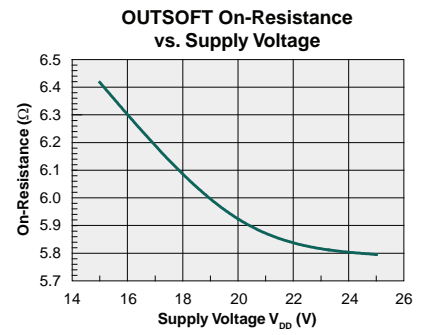
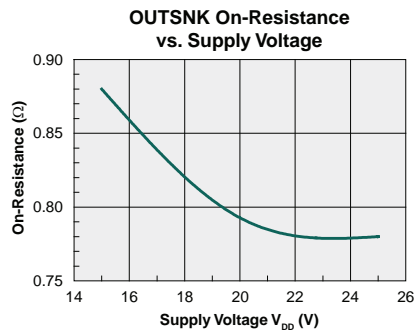
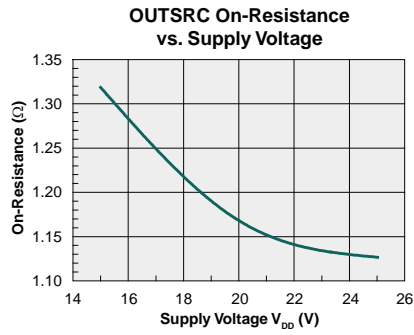
1.6 Thermal Characteristics

| Parameter | Symbol | Rating | Units |
|--|----------------------|--------|----------------------|
| Thermal Impedance, Junction to Ambient | θ_{JA} | 60 | $^{\circ}\text{C/W}$ |
| Thermal Impedance, Junction to Case | θ_{JC} | 28 | $^{\circ}\text{C/W}$ |

2 Performance Data

Unless otherwise noted $V_{DD}=20V$, $T_A=25^\circ C$, and values are typical.

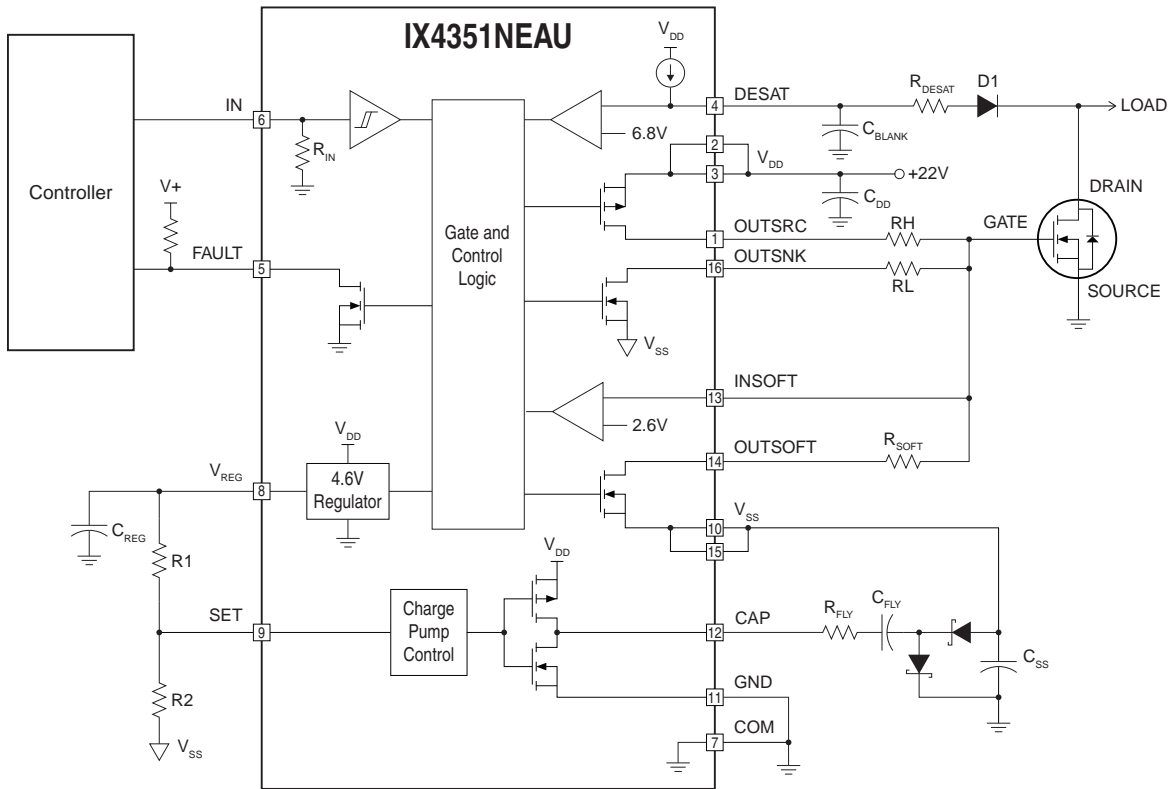




3 Functional Description

The IX4351NEAU is designed to provide the gate drive for high power SiC MOSFETs and IGBTs.

Figure 1. IX4351NEAU Typical Application Circuit



3.1 Power Supplies

The IX4351NEAU requires only a single positive supply (V_{DD}) to provide SiC and IGBT gate driver functionality by generating the negative voltage (V_{SS}) required to efficiently turn off SiC and IGBT power switches. V_{DD} provides the supply voltage for the gate driver outputs, the charge pump output driver and the internal low voltage regulator. An on-board regulator provides a low voltage supply (V_{REG}) used by the internal control logic while the on-board charge pump generates the pulses necessary to create the negative voltage supply (V_{SS}).

3.2 Logic Input (IN)

IN, the gate driver logic input, is a TTL and CMOS logic level compatible high-speed Schmitt trigger buffer that controls the gate driver outputs: OUTSRC, OUTSNK, and OUTSOFT. The input voltage logic thresholds have 0.4V of hysteresis and are referenced

to COM. On startup, after V_{DD} and V_{SS} reach their minimum operating voltage levels by exceeding their Under Voltage Lock Out thresholds, IN controls the state of the gate driver outputs according to the table below:

Table 1: IN Gate Control Truth Table

| IN | OUTSRC | OUTSNK | OUTSOFT |
|----|--------|--------|---------|
| 0 | Off | Low | Low |
| 1 | High | Off | Off |

3.3 Gate Drive Outputs

The IX4351NEAU has three gate drive outputs. Two power outputs, OUTSRC and OUTSNK, are rated for 9A peak current while the third output, OUTSOFT, is rated for 900mA peak current. Separate source and sink high current outputs allow independent adjustment of the discrete power SiC MOSFET or

IGBT turn-on and turn-off transactions by means of a single resistor for each output. An internal non-adjustable dead time prevents cross conduction of the source and sink outputs.

During normal operation whenever IN, the gate control input, is driven to a logic low the lower rated current sink output, OUTSOFT, turns on concurrently with OUTSNK. These operations can be seen in Figure 2, “Timing Diagram,” on page 11. In the timing diagram these normal operation transactions can be seen with the first cycle of the IN waveform.

3.4 Internal 4.6V Regulator (V_{REG})

The internal 4.6V regulator provides power for the internal low voltage control circuitry and requires an external 4.7 μ F bypass capacitor (C_{REG}). Capable of sourcing up to 10mA, V_{REG} is utilized to set the negative supply voltage level and optionally power the LED of an external optocoupler.

3.5 Negative Supply Voltage (V_{SS}) Generation

The IX4351NEAU inverting charge pump regulator circuitry outputs V_{SS} , a regulated negative supply voltage. Operating in a closed-loop mode the charge pump generates V_{SS} from V_{DD} with regulation being achieved by sensing the V_{SS} voltage with respect to V_{REG} at the SET input by means of the resistor divider R1 and R2. See [Figure 1, “IX4351NEAU Typical Application Circuit,” on page 9](#) for the circuit configuration. The charge pump inverter requires two discrete Schottky diodes, two external ceramic capacitors, and a peak output current limiting resistor (R_{FLY}). V_{SS} is set by the R1 and R2 resistor divider given in the following equation:

$$V_{SS} = -V_{REG} \cdot \left(\frac{R2}{R1}\right)$$

The recommended value of the charge pump inverter components is:

1. $R_{FLY} = 33\Omega$
2. $C_{FLY} = 68nF$
3. $C_{SS} = 10\mu F$

To prevent damaging the charge pump output, CAP, the value of R_{FLY} must not be reduced.

3.6 Desaturation Detection and Protection

DESAT detection occurs when the SiC or IGBT power transistor goes into an over-current condition causing the voltage across the transistor to exceed a predetermined threshold chosen by the designer.

The desaturation protection circuit ensures the safety of the external SiC MOSFET or IGBT during turn-off whenever the power switch is in an over-current situation. The DESAT pin monitors the drain voltage of the power SiC MOSFET or the collector of the power IGBT via the input circuitry between the DESAT input and the SiC MOSFET drain or the IGBT collector. When the sum of the drain or collector voltage plus the voltage drop of the DESAT input circuitry exceeds the DESAT Threshold Voltage ($V_{DESAT,TH}$), typically 6.8V, the FAULT output goes low, the internal MUTE function is activated and a controlled turn-off sequence is initiated. OUTSRC is turned off and OUTSOFT is turned on. The OUTSOFT 900mA sink capability provides an initial slow turn-off of the external SiC MOSFET or IGBT. When the GATE voltage decreases to the Soft Shutdown Threshold Voltage ($V_{INSOFT,TH}$), typically 2.6V, OUTSNK turns on and quickly pulls the GATE to V_{SS} . This two-step turn-off avoids dangerous dV/dt transient over-voltage spikes across the external SiC MOSFET or IGBT.

When DESAT is detected the MUTE feature is activated. MUTE holds FAULT low and masks logic inputs applied to IN for a nominal duration of 2ms. Once the MUTE timer expires, FAULT is released and the input will begin normal operation with the next low to high transition of IN.

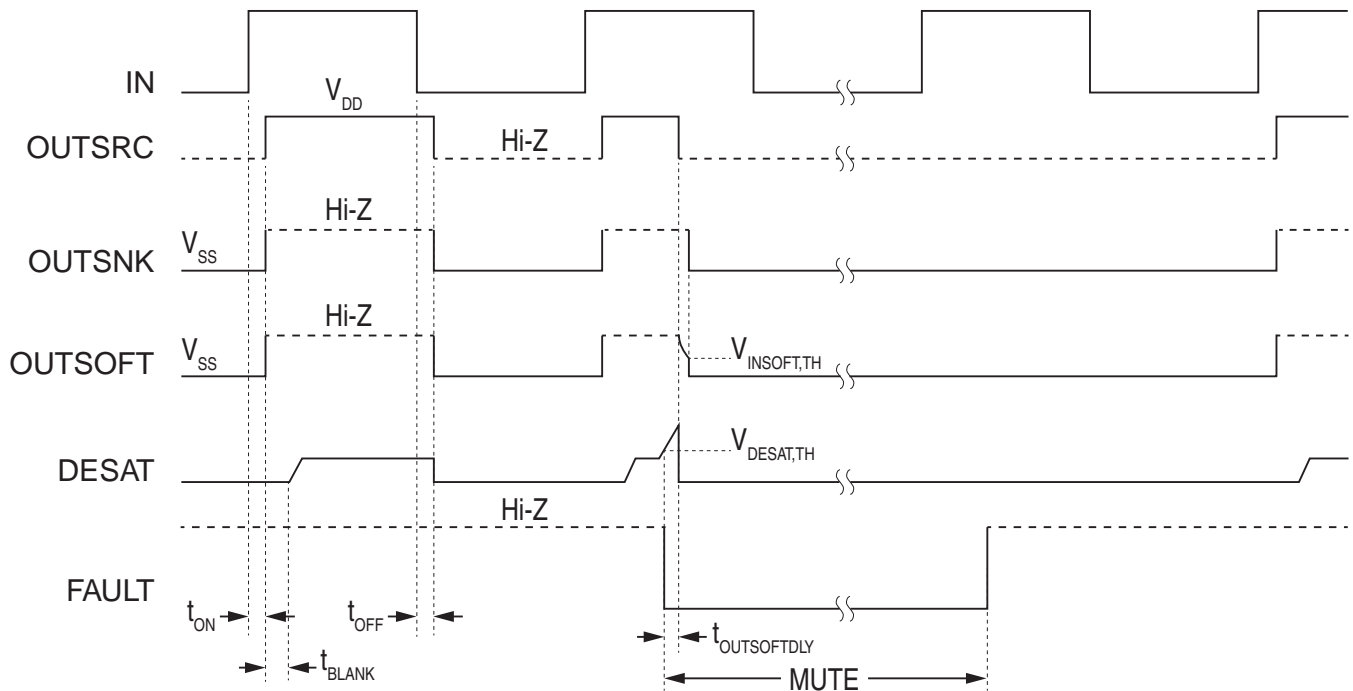
The DESAT detection and two-step turn-off sequence can be seen in [Figure 2, “Timing Diagram,” on page 11](#). In the timing diagram, this sequence begins with the second rising edge of IN.

To avoid a false desaturation detect event during turn-on of the external SiC MOSFET or IGBT, the IX4351 provides a nominal 250ns DESAT detect blanking time (t_{BLANK}) beginning when OUTSRC transitions from OFF to ON causing the gate drive output voltage to rise. While OUTSRC is off, the DESAT input is internally pulled low. To accomplish the fixed internal blanking time and to precondition the DESAT input for the fully turned on SiC MOSFET or IGBT, the DESAT input internal pull down remains active for the duration of the blanking period.

Although the nominal internal blanking duration is fixed at 250ns it can be extended by means of an external capacitor, C_{BLANK} , installed from the DESAT input to COM. Once the internal pull down is released, the additional blanking duration is set by the time it takes to charge the total external capacitive loading of

the DESAT input up to $V_{DESAT,TH}$. The value of C_{BLANK} is the difference between the total capacitance required to obtain the desired blanking period less the capacitive loading of the other components on DESAT.

Figure 2. Timing Diagram



3.7 DESAT Input Component Selection

The value of R_{DESAT} is determined by the peak surge current permitted through diode D1 and the maximum voltage across the external power transistor. When IN is high and the power SiC MOSFET is on, the voltage at the DESAT input is calculated by the following equation.

$$V_{DESAT} = I_{DESAT} \cdot R_{DESAT} + V_f + V_{DS}$$

Substitute V_{CE} for V_{DS} when using an IGBT.

where V_f is the forward voltage drop of D1.

For a desired drain-to-source voltage ($V_{DS,TH}$), the desaturation detect threshold equation is:

$$V_{DESAT,TH} - V_{DS,TH} = I_{DESAT} \cdot R_{DESAT} + nV_f$$

Substitute $V_{CE,TH}$ for $V_{DS,TH}$ when using an IGBT.

where “n” is the number of series diodes in the DESAT detection input circuit.

Using multiple series diodes improves DESAT detection consistency by minimizing R_{DESAT} . Larger values of R_{DESAT} lessens DESAT detection uniformity due to variations of I_{DESAT} . This of course assumes the diode is operating above its forward bias knee voltage with a forward current of I_{DESAT} .

3.8 DESAT Blanking Time Stretching

Extending the blanking period is easily accomplished by the addition of an external capacitor to the DESAT input. Blanking time extension is the difference between the nominal 250ns fixed internal blanking period and the required total blanking time of the design. The equation for the total blanking time is given in the following equation.

$$t_{TOTAL} = 250ns + \frac{V_{DESAT,TH} \cdot C_{TOTAL}}{I_{DESAT}}$$

Where C_{TOTAL} is the total external capacitance seen by the DESAT input pin. For the design example shown in [Figure 1, "IX4351NEAU Typical Application Circuit," on page 9](#), C_{TOTAL} is the sum of C_{BLANK} and C_J , the junction capacitance of D1. C_{BLANK} is calculated as follows:

$$C_{BLANK} = \frac{(t_{TOTAL} - 250ns) \cdot I_{DESAT}}{V_{DESAT,TH}} - \frac{C_J}{n}$$

Where "n" is the number of series diodes in the DESAT detection input circuit.

Optionally the total capacitance may include the junction capacitance of a protection zener diode from DESAT to COM. Because this additional junction capacitance is added to C_{TOTAL} it reduces the calculated value of C_{BLANK} .

3.9 Thermal Shutdown

Thermal protection circuitry pulls FAULT low, turns off OUTSRC, turns on both OUTSNK and OUTSOFT, and disables the charge pump whenever the IX4351NEAU internal junction temperature reaches a nominal +160°C. After the internal junction temperature decreases by approximately 20°C the device returns to normal operation.

3.10 FAULT Output

The FAULT output indicates the IX4351NEAU is undergoing a fault condition. The open-drain NMOS output pulls low whenever one of the four monitored fault conditions is detected. They are:

1. V_{DD} Under Voltage Lock Out.
FAULT output goes low until V_{DD} UVLO clears.
OUTSRC is turned off.
OUTSNK and OUTSOFT go low.
Charge pump disabled.
2. V_{SS} Under Voltage Lock Out.
FAULT output goes low until V_{SS} UVLO clears.
OUTSRC is turned off.
OUTSNK and OUTSOFT go low.
Charge pump continues running.
3. DESAT detection.
FAULT output goes low for a nominal 2ms.
OUTSRC is turned off.
OUTSOFT goes low.
Gate voltage crosses $V_{INSOFT,TH}$
OUTSNK goes low.
Charge pump unaffected.
4. Thermal Shut Down.
FAULT output goes low until TSD clears.
OUTSRC is turned off.
OUTSNK and OUTSOFT go low.
Charge pump disabled.

When the UVLO and TSD faults clear, the IX4351NEAU returns to normal operation and the gate driver outputs immediately transition to comply with the current IN logic state.

When the DESAT fault clears, the FAULT output remains low until the 2ms MUTE timer expires. The gate drive outputs remain low until the next low to high IN transition after the MUTE timer expires.

4 Manufacturing Information

4.1 Moisture Sensitivity



All plastic encapsulated semiconductor packages are susceptible to moisture ingress. IXYS Integrated Circuits classifies its plastic encapsulated devices for moisture sensitivity according to the latest version of the joint industry standard, **IPC/JEDEC J-STD-020**, in force at the time of product evaluation. We test all of our products to the maximum conditions set forth in the standard, and guarantee proper operation of our devices when handled according to the limitations and information in that standard as well as to any limitations set forth in the information or standards referenced below.

Failure to adhere to the warnings or limitations as established by the listed specifications could result in reduced product performance, reduction of operable life, and/or reduction of overall reliability.

This product carries a **Moisture Sensitivity Level (MSL)** classification as shown below, and should be handled according to the requirements of the latest version of the joint industry standard **IPC/JEDEC J-STD-033**.

| Device | Moisture Sensitivity Level (MSL) Classification |
|------------|---|
| IX4351NEAU | MSL 1 |

4.2 ESD Sensitivity



This product is **ESD Sensitive**, and should be handled according to the industry standard **JESD-625**.

4.3 Soldering Profile

Provided in the table below is the **IPC/JEDEC J-STD-020** Classification Temperature (T_C) and the maximum dwell time the body temperature of these surface mount devices may be ($T_C - 5$)°C or greater. The Classification Temperature sets the Maximum Body Temperature allowed for these devices during reflow soldering processes.

| Device | Classification Temperature (T_C) | Dwell Time (t_p) | Max Reflow Cycles |
|------------|--------------------------------------|----------------------|-------------------|
| IX4351NEAU | 260°C | 30 seconds | 3 |

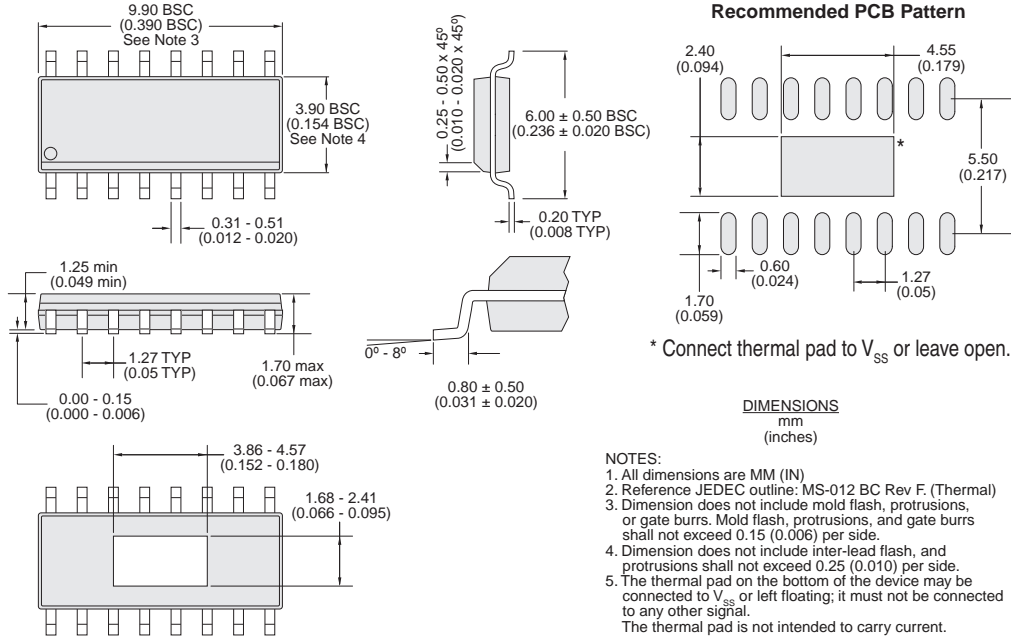
4.4 Board Wash

IXYS Integrated Circuits recommends the use of no-clean flux formulations. Board washing to reduce or remove flux residue following the solder reflow process is acceptable provided proper precautions are taken to prevent damage to the device. These precautions include but are not limited to: using a low pressure wash and providing a follow up bake cycle sufficient to remove any moisture trapped within the device due to the washing process. Due to the variability of the wash parameters used to clean the board, determination of the bake temperature and duration necessary to remove the moisture trapped within the package is the responsibility of the user (assembler). Cleaning or drying methods that employ ultrasonic energy may damage the device and should not be used. Additionally, the device must not be exposed to halide flux or solvents.

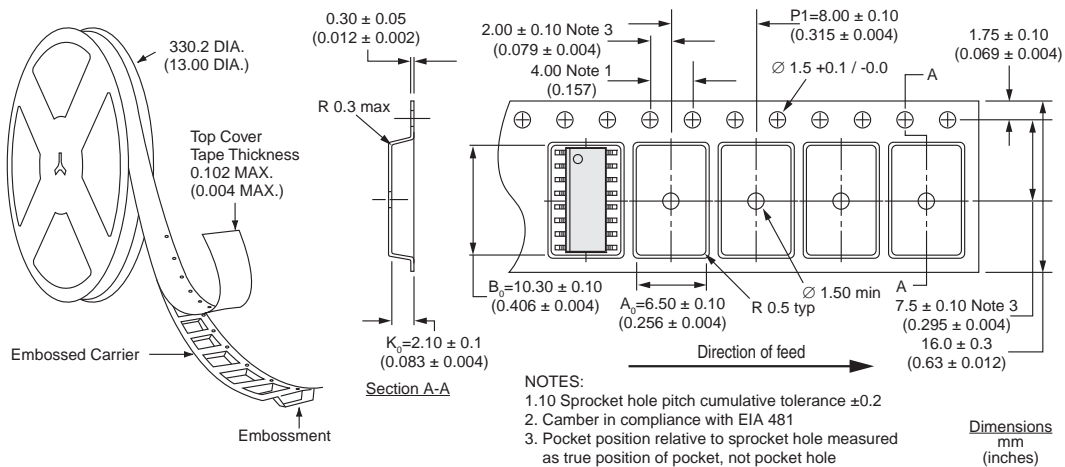


4.5 Mechanical Dimensions

4.5.1 IX4351NEAU 16-Pin Narrow SOIC Package



4.5.2 IX4351NEAUTR Tape & Reel Packaging for 16-Pin Narrow SOIC Package



For additional information please visit our website at: <https://www.ixysic.com>