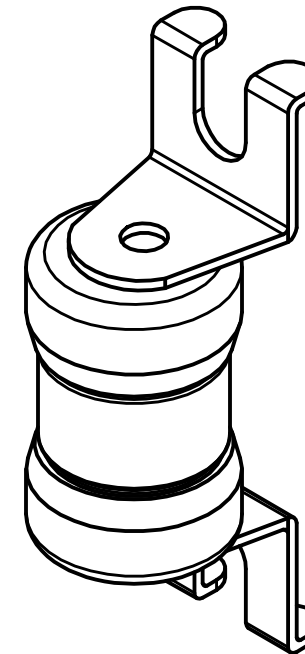
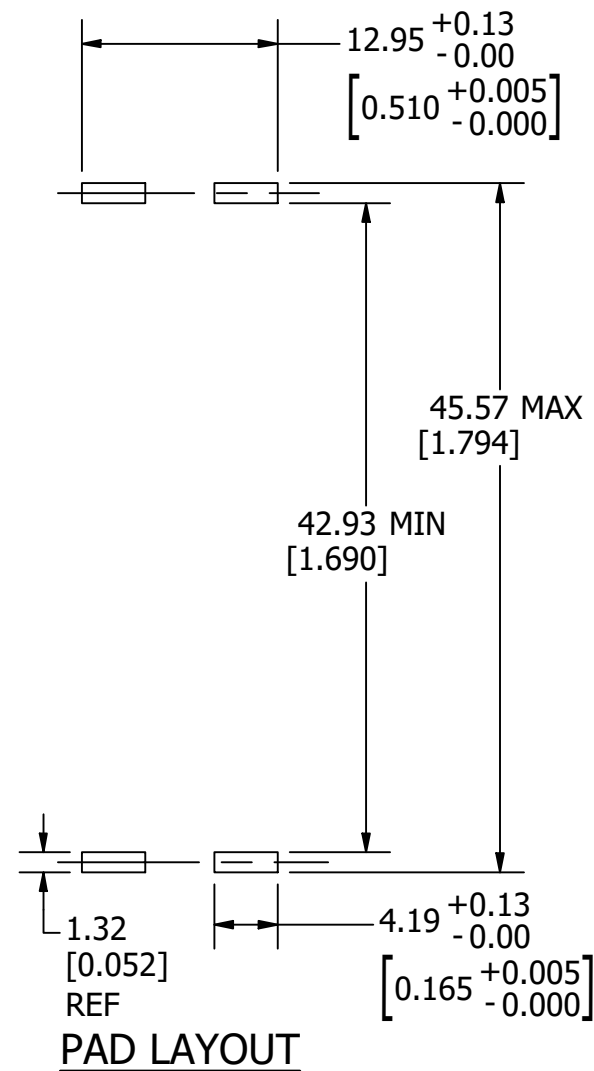
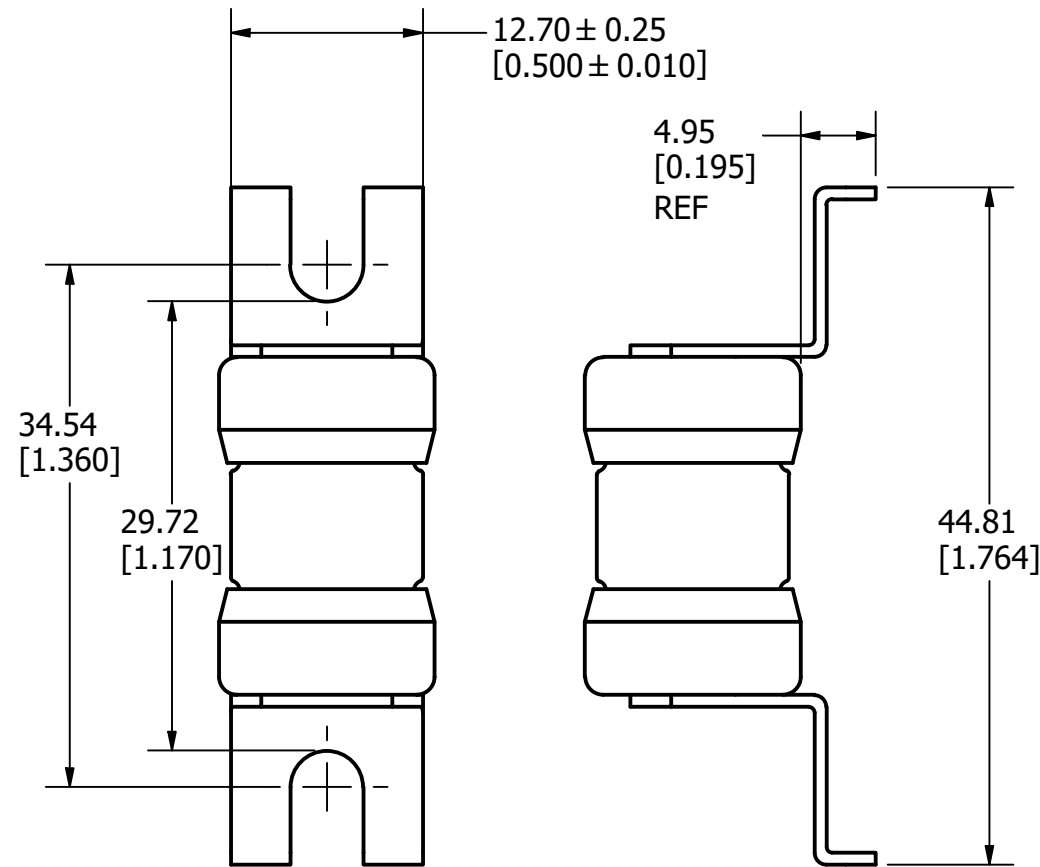


REVISION		
REV	DATE	DESCRIPTION
A	5/8/19	520782GCP - RELEASE MRY
B	5/14/20	522325ECP/D - ADD FRONT VIEW MRY



LEAD-FREE SOLDERING PROFILE:

PRE-HEAT: ABOVE 130°C FOR 75 SECONDS MAX.
 REFLOW: 278°C FOR 8 SECONDS MAX.
 TIME: 250 SECONDS MAX.
 MAX. TEMP: 280°C

1	NO	COMPONENT NO	DESCRIPTION	QTY/M	U/M
---	----	--------------	-------------	-------	-----

BILL OF MATERIAL

<S>	CRITICAL CHARACTERISTIC FOR PART SAFETY/COMPLIANCE
●	DENOTES CRITICAL CHARACTERISTICS.
CPK	DENOTES CPK DIMENSIONS, -MINIMUM CPK VALUE
⊖	DENOTES A CHARACTERISTIC THAT PROVIDES AN INDICATION OF PROCESS PERFORMANCE. PROCEDURE FOR MEASUREMENT AND TRACKING TO BE DEFINED IN LITTELFUSE INSPECTION INSTRUCTIONS.
CP	DENOTES CP DIMENSIONS, -MINIMUM CP VALUE MUST BE WITHIN THE DIMENSIONAL LIMITATIONS SHOWN ON DRAWING AND INITIALLY LOCATED TO ALLOW FOR MAXIMUM TOOL LIFE.

B

MATL SPEC	FINISH		
DRW myork	DATE 5/7/2019	SCALE NTS	FINISH GOOD WT GRAMS/PIECE

UNLESS OTHERWISE SPECIFIED, DIMENSIONS ARE IN MILLIMETERS, DIMENSIONS IN BRACKETS [] ARE INCHES DIMENSIONING AND DO NOT INCLUDE PLATING. TOLERANCING TO BE INTERPRETED IN ACCORDANCE WITH ANSI Y14.5M-1994



TITLE	JLLN-L OUTLINE
--------------	----------------

Littelfuse CHICAGO, ILLINOIS 60631	REVISION B	DRWG NO. OL-JLLN000L	SHEET 1 OF 1
--	----------------------	--------------------------------	--------------