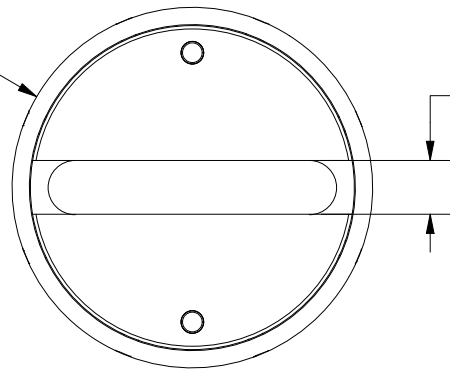


Ø63.50 ± 0.381  
[Ø2.500 ± 0.015]



9.53 ± 0.15  
[0.375 ± 0.006]

13.46 ± 0.25  
[0.530 ± 0.010]

50.80 ± 0.89  
[2.000 ± 0.035]

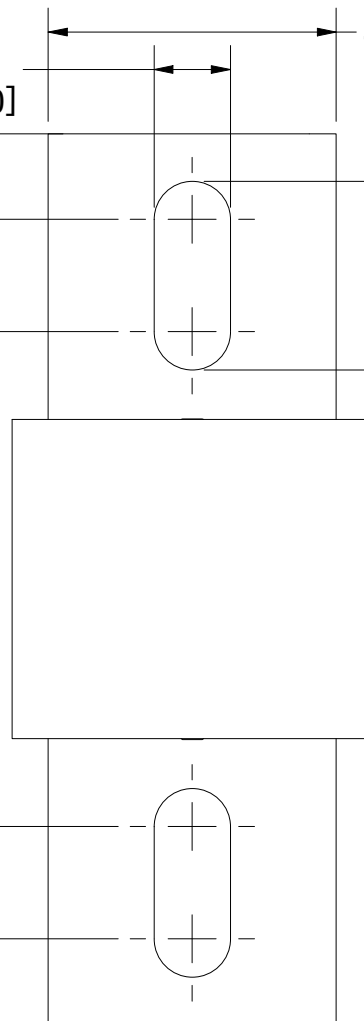
33.27 ± 0.25  
[1.310 ± 0.010]

87.30 ± 1.60  
[3.437 ± 0.063]

56.34  
[2.218]

126.93 ± 1.60  
[4.997 ± 0.063]

157.15 ± 1.60  
[6.187 ± 0.063]



REVISION		
REV	DATE	DESCRIPTION
A	6/29/23	526672GCP - RELEASE MRY

1	COMPONENT NO	DESCRIPTION	QTY/M	U/M
---	--------------	-------------	-------	-----

**BILL OF MATERIAL**

<S>	CRITICAL CHARACTERISTIC FOR PART SAFETY/COMPLIANCE
●	DENOTES CRITICAL CHARACTERISTICS.
CPK	DENOTES CPK DIMENSIONS, -MINIMUM CPK VALUE
⊠	DENOTES A CHARACTERISTIC THAT PROVIDES AN INDICATION OF PROCESS PERFORMANCE. PROCEDURE FOR MEASUREMENT AND TRACKING TO BE DEFINED IN LITTELFUSE INSPECTION INSTRUCTIONS.
CP	DENOTES CP DIMENSIONS, -MINIMUM CP VALUE MUST BE WITHIN THE DIMENSIONAL LIMITATIONS SHOWN ON DRAWING AND INITIALLY LOCATED TO ALLOW FOR MAXIMUM TOOL LIFE.

**A**

MATL SPEC	FINISH		
DRW JMoler	DATE 6/21/2023	SCALE NTS	FINISH GOOD WT GRAMS/PIECE

UNLESS OTHERWISE SPECIFIED, DIMENSIONS ARE IN MILLIMETERS, DIMENSIONS IN BRACKETS [ ] ARE INCHES DIMENSIONING AND DO NOT INCLUDE PLATING. TOLERANCING TO BE INTERPRETED IN ACCORDANCE WITH ANSI Y14.5M-1994

3RD ANGLE PROJECTION



**TITLE** L50QS 700-800A OUTLINE

**Littelfuse**  
CHICAGO, ILLINOIS 60631

REVISION	DRWG NO.	SHEET 1 OF 1
A	OL-L50QS800	