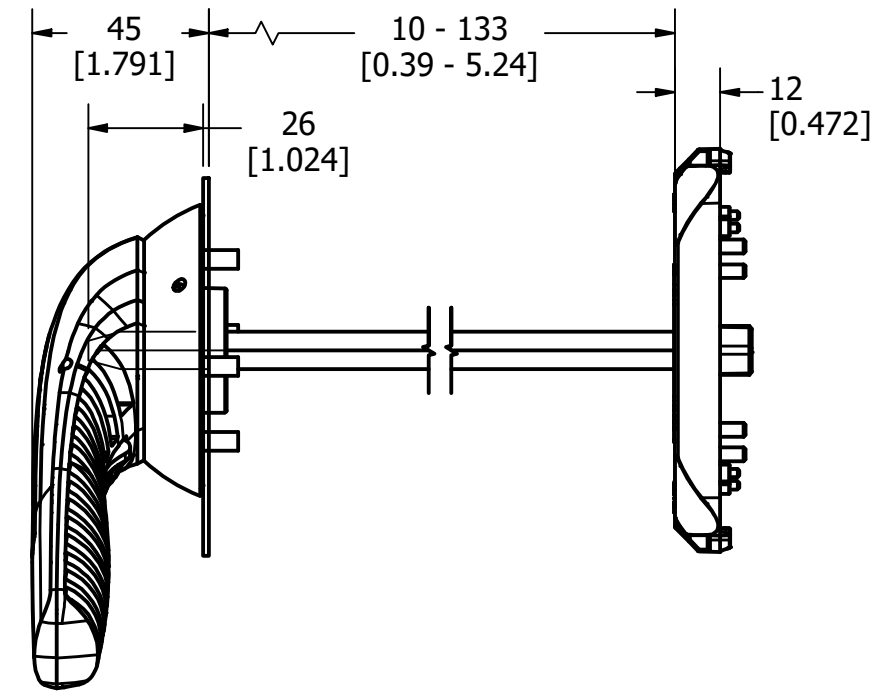
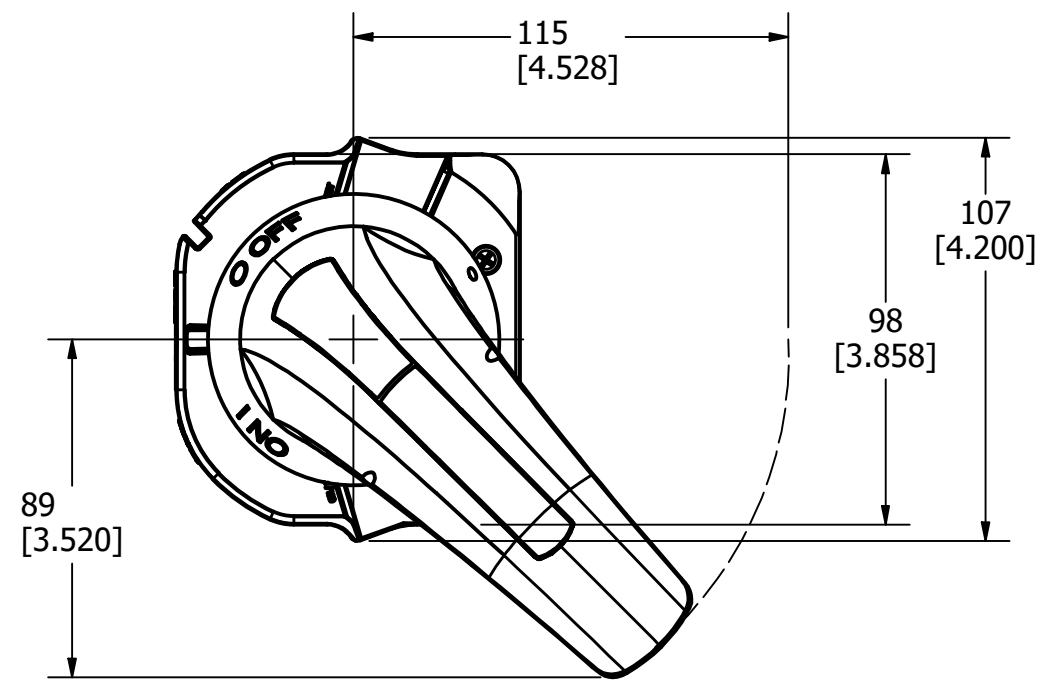
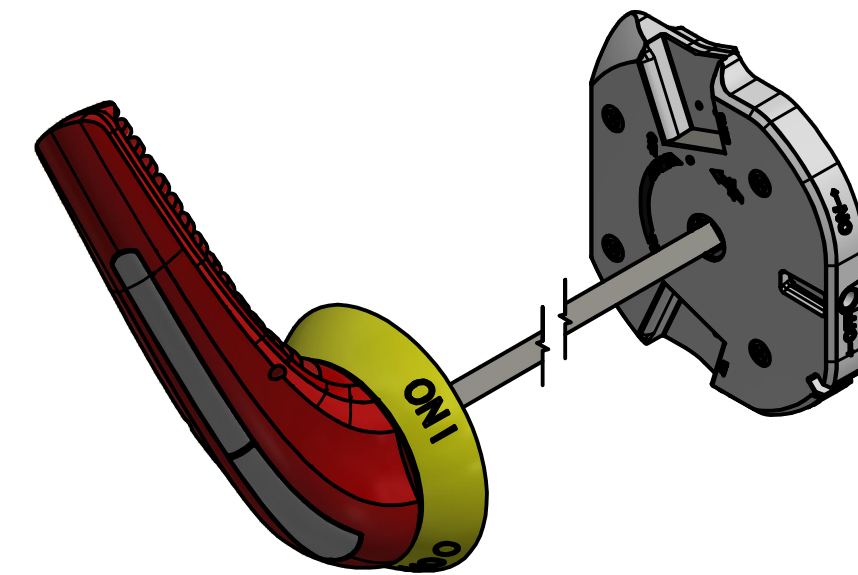
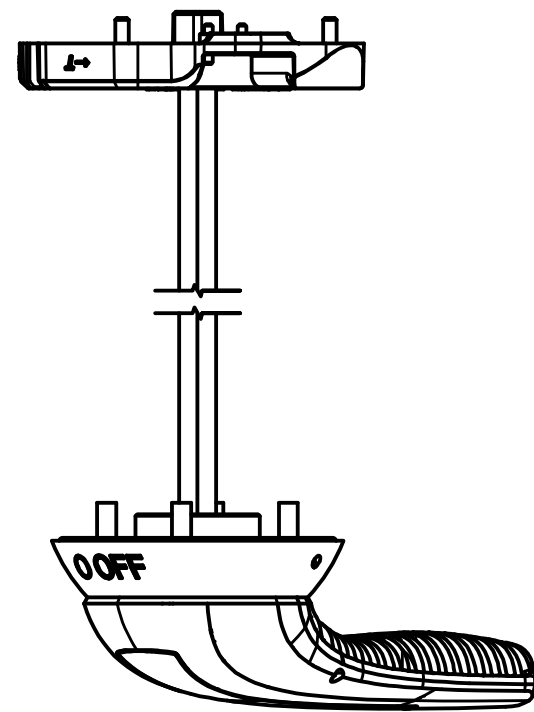


PART NUMBER	UPC CODE
LDM3SE12	07945831139

REVISION		DESCRIPTION
REV	DATE	
A	5/15/23	526513GCP - RELEASE MRY



1	NO	COMPONENT NO	DESCRIPTION	QTY/M	U/M
<b>BILL OF MATERIAL</b>					
<S>			CRITICAL CHARACTERISTIC FOR PART SAFETY/COMPLIANCE		
●			DENOTES CRITICAL CHARACTERISTICS.		
CPK			DENOTES CPK DIMENSIONS, -MINIMUM CPK VALUE		
(ST)			DENOTES A CHARACTERISTIC THAT PROVIDES AN INDICATION OF PROCESS PERFORMANCE. PROCEDURE FOR MEASUREMENT AND TRACKING TO BE DEFINED IN LITTELFUSE INSPECTION INSTRUCTIONS.		
CP			DENOTES CP DIMENSIONS, -MINIMUM CP VALUE MUST BE WITHIN THE DIMENSIONAL LIMITATIONS SHOWN ON DRAWING AND INITIALLY LOCATED TO ALLOW FOR MAXIMUM TOOL LIFE.		<b>C</b>
MATL SPEC			FINISH		
DRW	myork	DATE	12/16/2022	SCALE	NTS
			FINISH GOOD WT		
			GRAMS/PIECE		
UNLESS OTHERWISE SPECIFIED, DIMENSIONS ARE IN MILLIMETERS, DIMENSIONS IN BRACKETS [ ] ARE INCHES DIMENSIONING AND DO NOT INCLUDE PLATING. TOLERANCING TO BE INTERPRETED IN ACCORDANCE WITH ANSI Y14.5M-1994					
3RD ANGLE PROJECTION					
<b>TITLE</b> LATERAL EXTERNAL HANDLE ON-OFF 100-200A OUTLINE					
<b>Littelfuse</b> CHICAGO, ILLINOIS 60631			REVISION	DRWG NO.	SHEET 1 OF 1
			A	OL-LDM3SE12	