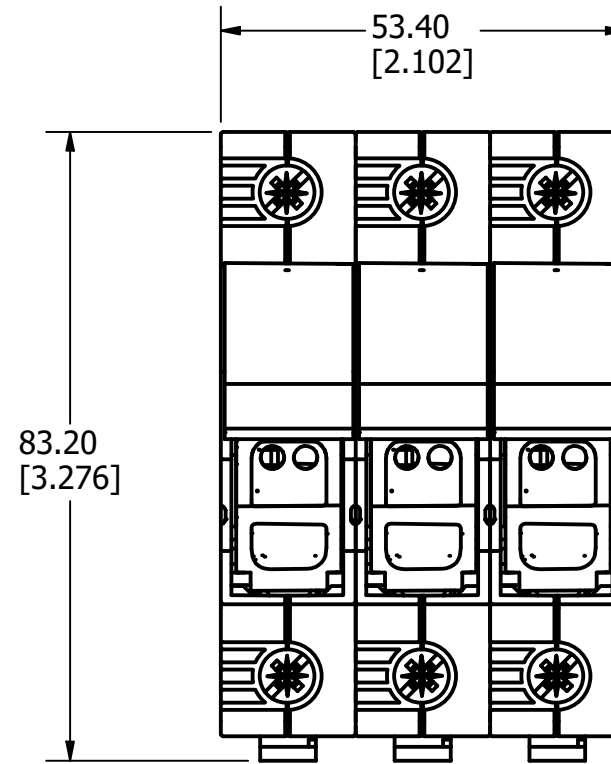
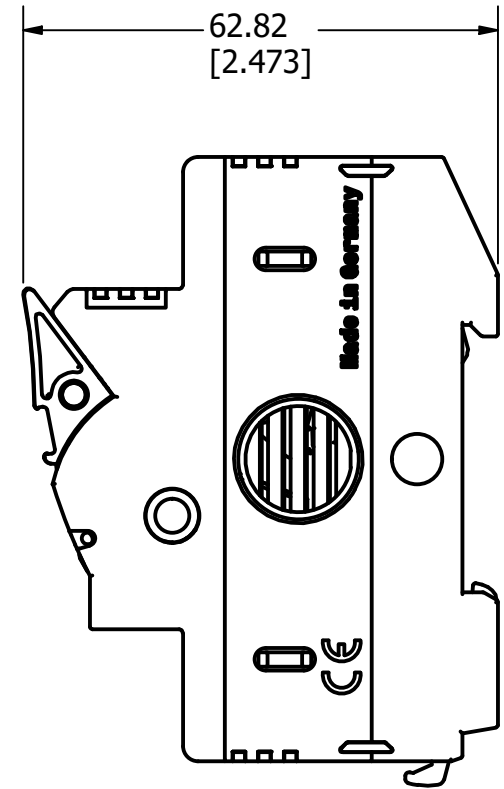


REVISION		
REV	DATE	DESCRIPTION
A	9/2/22	525636GCP - RELEASE MRY



**SPECIFICATIONS:**

VOLTAGE RATING: 600VAC/DC

AMP RATING: 30 AMPERES

INTERRUPT RATING: 200kA

WIRE RANGE: (1) 0.75-10mm<sup>2</sup> 2.0-2.5 Nm  
 18-8 AWG 18-22 lb-in  
 (2) 0.75-10mm<sup>2</sup> 2.0-2.5 Nm  
 18-6 AWG 18-22 lb-in  
 (1) 6-4 AWG 22-26 lb-in

APPROVALS: UL LISTED (E14721)  
 CSA CERTIFIED

1	NO	COMPONENT NO	DESCRIPTION	QTY/M	U/M
<b>BILL OF MATERIAL</b>					
<S>	CRITICAL CHARACTERISTIC FOR PART SAFETY/COMPLIANCE				
●	DENOTES CRITICAL CHARACTERISTICS.				
CPK	DENOTES CPK DIMENSIONS, -MINIMUM CPK VALUE				
⊆	DENOTES A CHARACTERISTIC THAT PROVIDES AN INDICATION OF PROCESS PERFORMANCE. PROCEDURE FOR MEASUREMENT AND TRACKING TO BE DEFINED IN LITTELFUSE INSPECTION INSTRUCTIONS.				
CP	DENOTES CP DIMENSIONS, -MINIMUM CP VALUE MUST BE WITHIN THE DIMENSIONAL LIMITATIONS SHOWN ON DRAWING AND INITIALLY LOCATED TO ALLOW FOR MAXIMUM TOOL LIFE.				
MATL SPEC			FINISH		
DRW JMOLER	DATE 8/24/2022	SCALE NTS	FINISH GOOD WT GRAMS/PIECE		
UNLESS OTHERWISE SPECIFIED, DIMENSIONS ARE IN MILLIMETERS, DIMENSIONS IN BRACKETS [ ] ARE INCHES DIMENSIONING AND DO NOT INCLUDE PLATING. TOLERANCING TO BE INTERPRETED IN ACCORDANCE WITH ANSI Y14.5M-1994					
3RD ANGLE PROJECTION					
<b>TITLE</b> LFPSC03 OUTLINE					
<b>Littelfuse</b> CHICAGO, ILLINOIS 60631		REVISION A	DRWG NO. OL-LFPSC03	SHEET 1 OF 1	