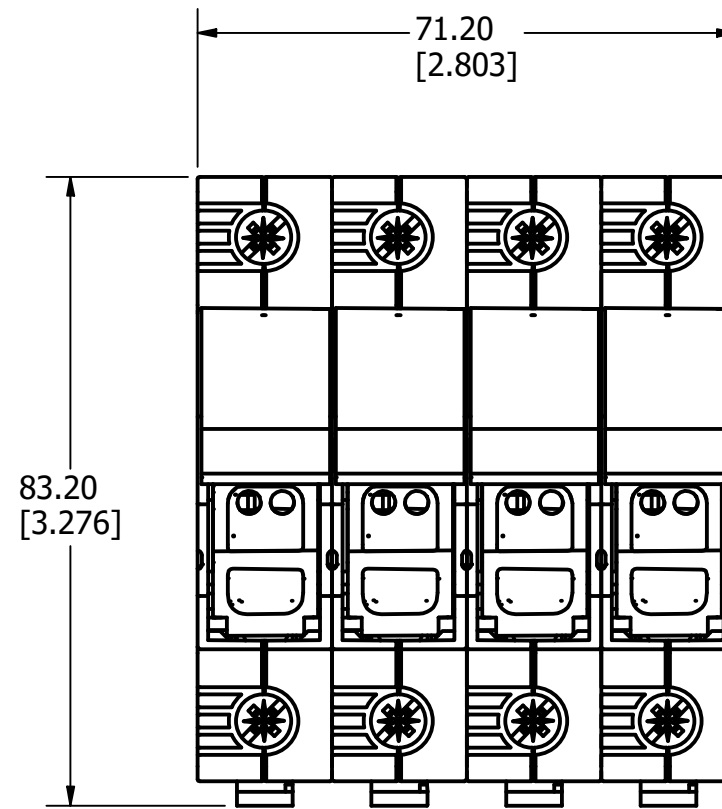
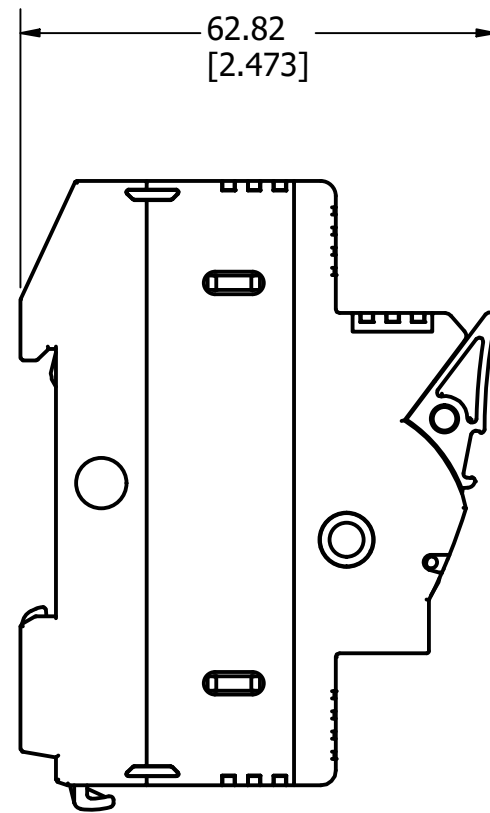


REVISION		
REV	DATE	DESCRIPTION
A	10/13/22	525732GCP - RELEASE MRY



**SPECIFICATIONS:**

**VOLTAGE RATING:** 600Vac/dc

**AMP RATING:** 30A

**INTERRUPT RATING:** 200kA

**WIRE RANGE:** 0.75-10mm<sup>2</sup>  
18-4 AWG

**SUGGESTED TORQUE:** (1) 0.75-25mm<sup>2</sup> 2.0-2.5 Nm  
18-8 AWG 18-22 lb-in  
(2) 0.75-10mm<sup>2</sup> 2.0-2.5 Nm  
18-6 AWG 18-22 lb-in  
(1) 6-4 AWG 22-26 lb-in

**APPROVALS:** UL Listed (E14721)  
CSA Certified

1	NO	COMPONENT NO	DESCRIPTION	QTY/M	U/M
---	----	--------------	-------------	-------	-----

**BILL OF MATERIAL**

<S>	CRITICAL CHARACTERISTIC FOR PART SAFETY/COMPLIANCE				
●	DENOTES CRITICAL CHARACTERISTICS.				
CPK	DENOTES CPK DIMENSIONS, -MINIMUM CPK VALUE				
⊆	DENOTES A CHARACTERISTIC THAT PROVIDES AN INDICATION OF PROCESS PERFORMANCE. PROCEDURE FOR MEASUREMENT AND TRACKING TO BE DEFINED IN LITTELFUSE INSPECTION INSTRUCTIONS.				
CP	DENOTES CP DIMENSIONS, -MINIMUM CP VALUE MUST BE WITHIN THE DIMENSIONAL LIMITATIONS SHOWN ON DRAWING AND INITIALLY LOCATED TO ALLOW FOR MAXIMUM TOOL LIFE.				

**B**

MATL SPEC		FINISH			
DRW JMOLER	DATE 9/23/2022	SCALE NTS	FINISH GOOD WT GRAMS/PIECE		

UNLESS OTHERWISE SPECIFIED, DIMENSIONS ARE IN MILLIMETERS, DIMENSIONS IN BRACKETS [ ] ARE INCHES DIMENSIONING AND DO NOT INCLUDE PLATING. TOLERANCING TO BE INTERPRETED IN ACCORDANCE WITH ANSI Y14.5M-1994

3RD ANGLE PROJECTION	
----------------------	--

**TITLE** LFPSC004ID OUTLINE

 CHICAGO, ILLINOIS 60631	REVISION	DRWG NO.	SHEET 1 OF 1
	A	OL-LFPSC004ID	