

POWR-GARD® Fuse Holder

LFXV15 SERIES FUSE BLOCK & COVER

1500 V • 35–60 A

REACH



Description

The Littelfuse LFXV15 series fuse block and cover is designed to hold 1500 V size 20 x 127 mm fuses rated 35–60 amperes. Suitable for photovoltaic systems (string and high-capacity combiner boxes) with fault currents up to 50 kA.

With available ampere ratings up to 60 A, more strings can be pre-combined in harnesses to reduce the number of inputs into combiner boxes, thereby decreasing installation time and labor costs.

Features/Benefits

- Dead-front cover design offers personnel protection
- Ventilated design keeps the fuse running cooler, even at high ambient temperatures and current ratings, to increase fuse longevity
- Narrower width accommodates more blocks in a panel to maximize space
- Designed for easy fuse removal and replacement to minimize maintenance time. No tools required
- 35 mm DIN-rail mounting option for quick assembly and installation
- Accepts both wire and busbar for added flexibility
- Positive lock feature secures the fuse puller in the block when the fuse is absent

Recommended Fuses

Littelfuse SPXV 20 x 127 mm fuses rated 35–60 amperes.

Ordering Information

VOLTAGE (V dc)	AMPERE RATING	POLES	FUSE BLOCK & COVER ORDERING NUMBER	CONNECTOR TYPE	DRIVE	TORQUE	WIRE RANGE	WIRE TYPE	
1500	60	1	LFXV15060-BC*	Box Lug	3/16 Inch Hex	5.6 N-m (50 lb-in)	2–4 AWG (35–25 mm ²)	CU only	Stranded
						2.8 N-m (25 lb-in)	6–14 AWG (16–2.5 mm ²)		

*For replacement only: Fuse Block LFXV150601C or Cover LFXV15060FBC

Specifications

Voltage Ratings	1500 V dc
Amperage Rating	60 A
Withstand Rating	50 kA
Power Acceptance	24.1W Maximum
Fuse Size	20 x 127 mm
Material	Thermoplastic
	Fuse Clip: Tin-plated copper alloy
	Screws: Tin-plated aluminum
Operating Temperature	-55 °C to +125 °C
Flammability Rating	UL94 V-0
Temperature Stability	Base: 130 °C Cover: 140 °C
Approvals	Block: UL 4248-19 Listed (File E345481) Cover: UL Listed Fuse Accessory (File E184929)
Environmental	RoHS compliant, Lead (Pb) free, REACH
Recommended DIN Rail	TH 35-7,5 per IEC 60715
Country of Origin	China

WIRE TYPE	
75 °C or 90 °C CU Only Stranded	UL Class B and Class C wire IEC Class 5 Flexible Wire (self-certified)

BUSBAR SPECIFICATIONS			
TERMINAL	THICKNESS	WIDTH	TORQUE
Maximum	0.250 in (6.35 mm)	0.290 in (7.37 mm)	25 lb-in (2.8 N-m)
Minimum	0.125 in (3.18 mm)	0.200 in (5.08 mm)	25 lb-in (2.8 N-m)

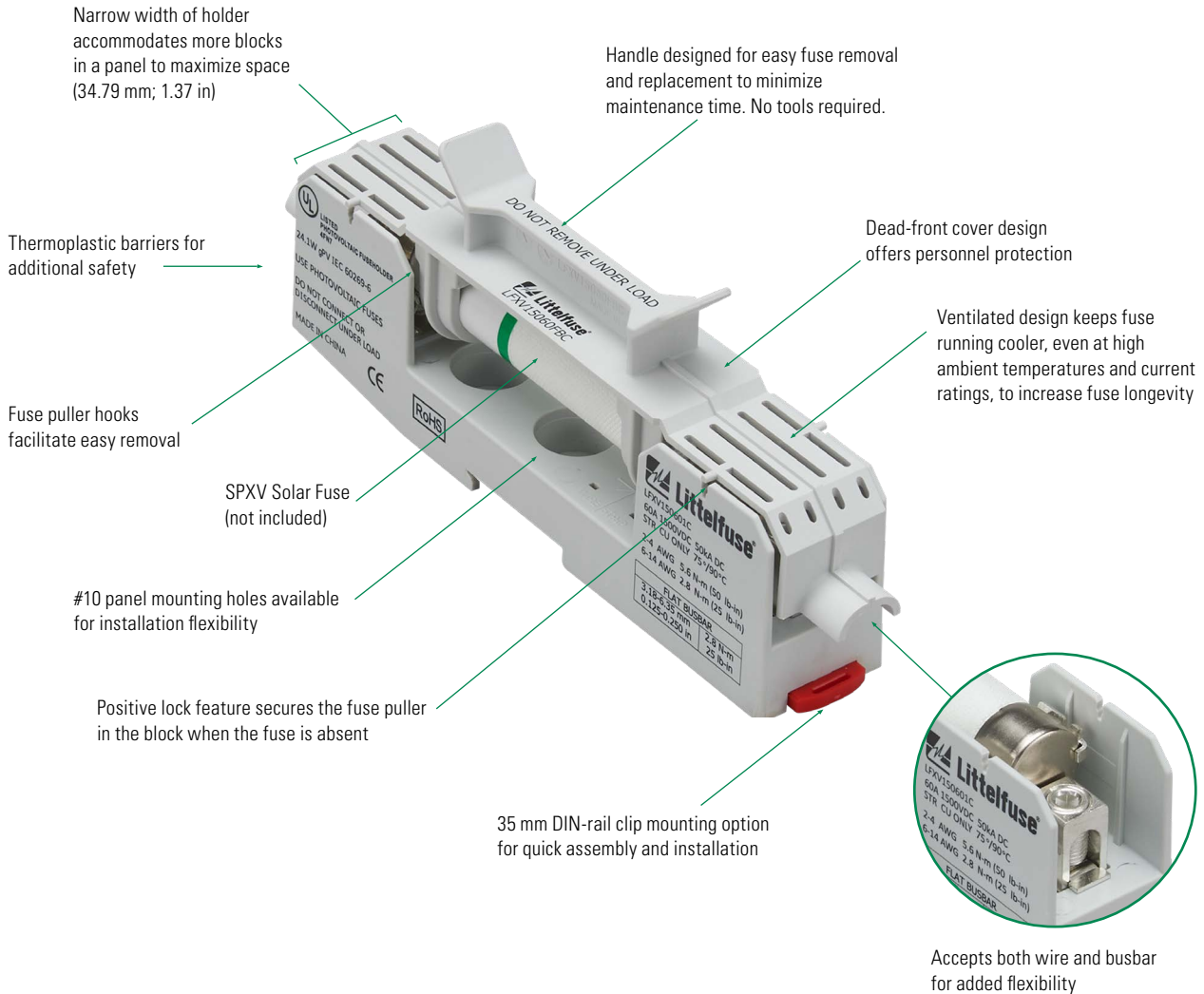
Web Resources

Download the complete datasheet and other technical documents: [Littelfuse.com/LFXV15](https://www.littelfuse.com/LFXV15)

POWR-GARD® Fuse Holder

LFXV15 SERIES FUSE BLOCK & COVER

LFXV15 Features & Benefits

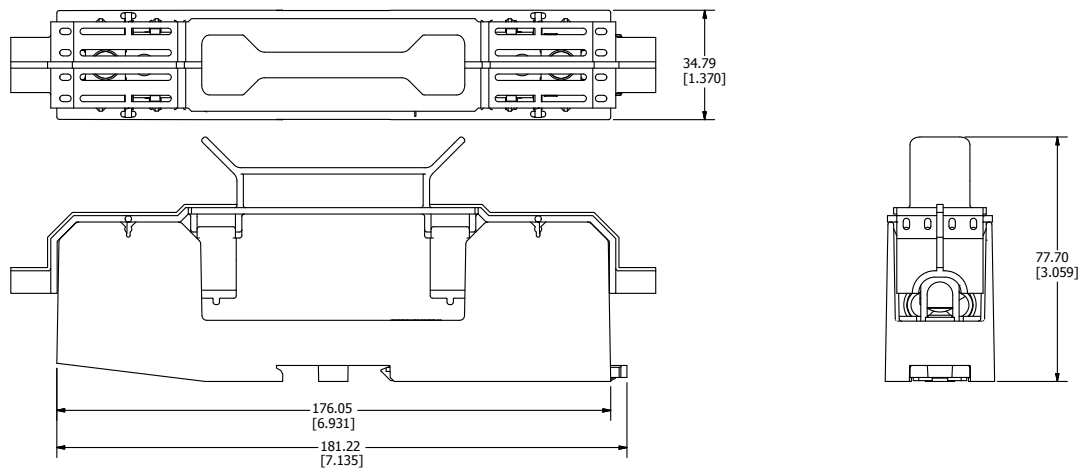


POWR-GARD® Fuse Holder

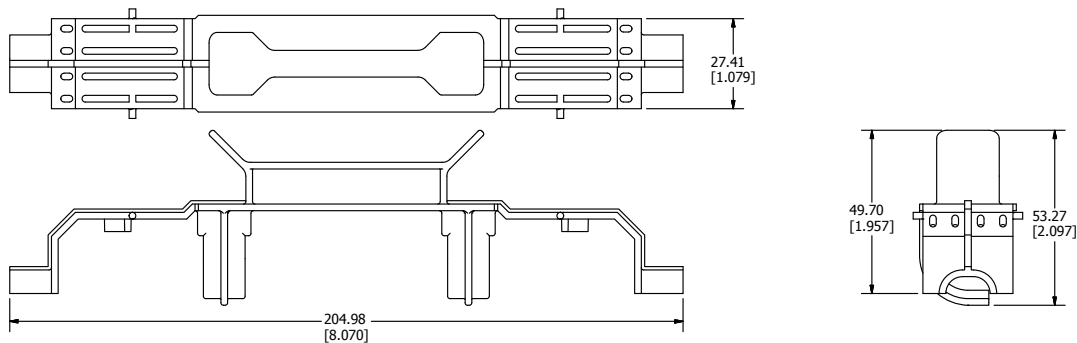
LFXV15 SERIES FUSE BLOCK & COVER

Dimensions Millimeters (in)

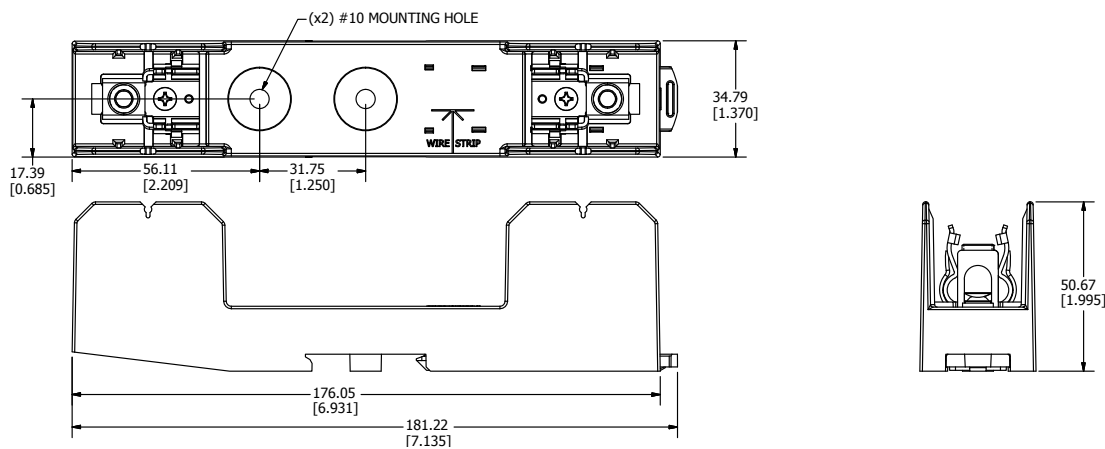
Fuse Block & Cover Assembly: LFXV15060-BC



Fuse Cover: LFXV15060FBC



Fuse Block: LFXV150601C



Look for this logo to indicate products that are used in solar applications. Visit our website Littelfuse.com/Solar for the latest updates on approvals, certifications, and new products.

Disclaimer Notice – Information furnished is believed to be accurate and reliable. However, users should independently evaluate the suitability of and test each product selected for their own applications. Littelfuse products are not designed for, and may not be used in, all applications. Read complete Disclaimer Notice at www.littelfuse.com/product-disclaimer.