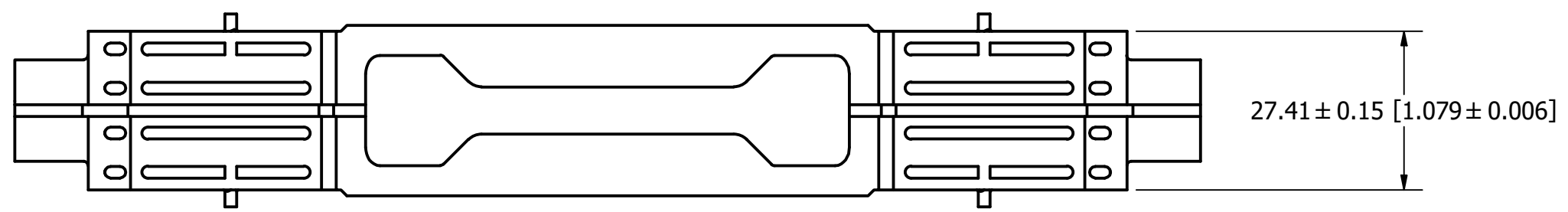
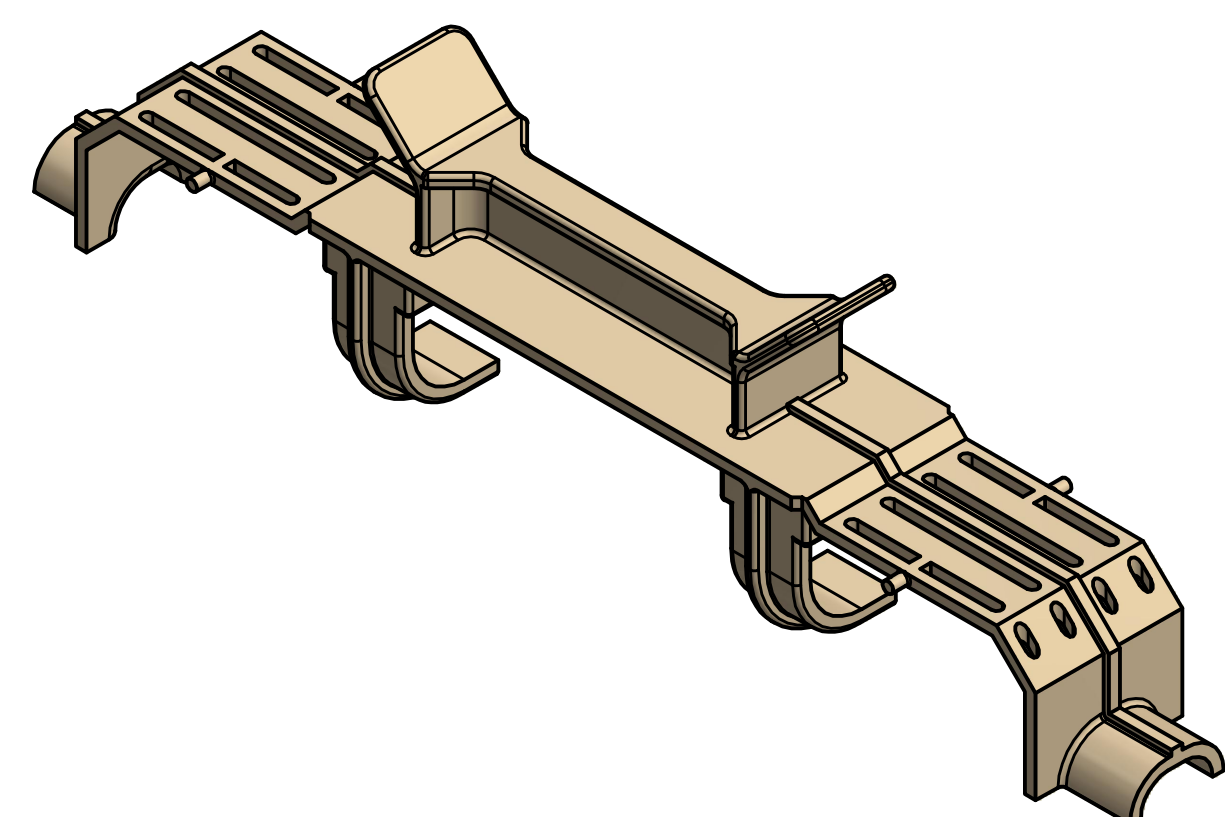
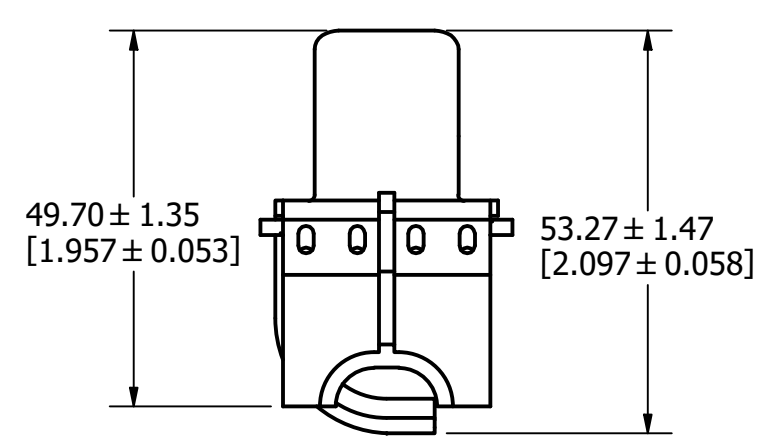
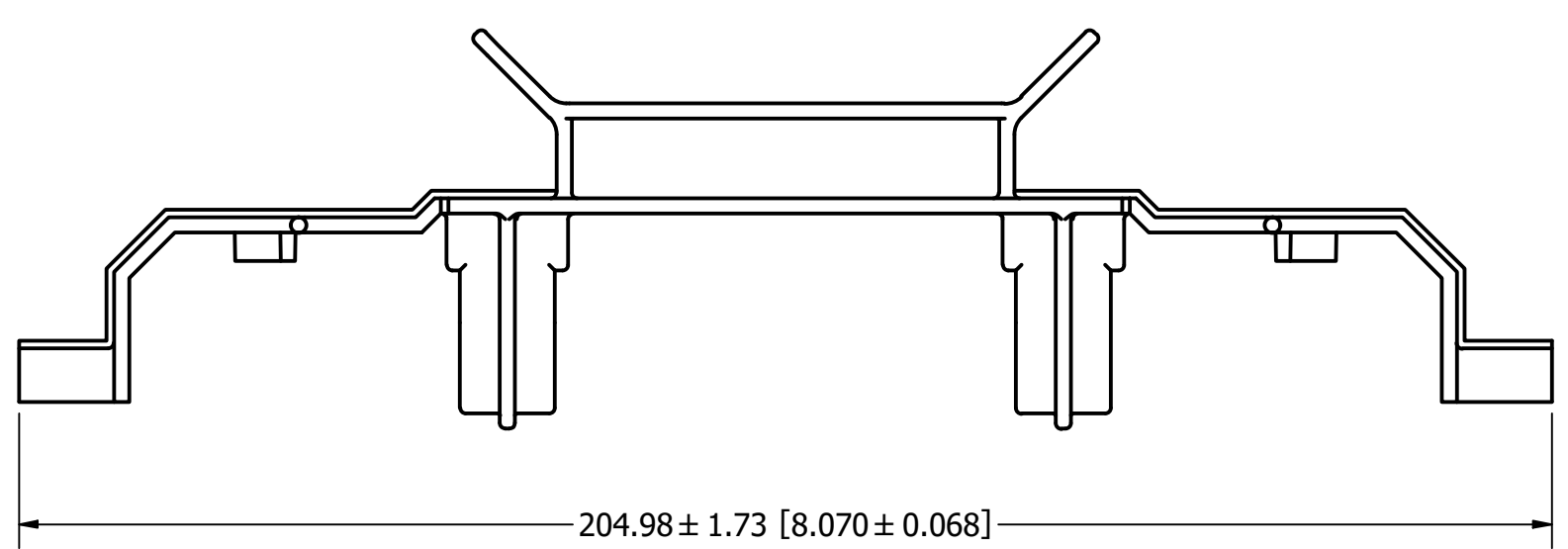


REVISION		
REV	DATE	DESCRIPTION
A	11/2/20	523009GCP - RELEASE MRY
B	9/23/21	524232ECP/C - UPDATE TO NEW DESIGN MRY
C	11/9/21	524457ECP/D - UPDATE DIMENSIONS MRY
D	5/23/22	525242ECP/D - ADD TOLERANCES MRY



**SPECIFICATIONS**

**APPROVALS:** UL LISTED (FILE NO. E184929)



<S>	CRITICAL CHARACTERISTIC FOR PART SAFETY/COMPLIANCE
●	DENOTES CRITICAL CHARACTERISTICS.
CPK	DENOTES CPK DIMENSIONS, -MINIMUM CPK VALUE
(ST)	DENOTES A CHARACTERISTIC THAT PROVIDES AN INDICATION OF PROCESS PERFORMANCE. PROCEDURE FOR MEASUREMENT AND TRACKING TO BE DEFINED IN LITTELFUSE INSPECTION INSTRUCTIONS.
CP	DENOTES CP DIMENSIONS, -MINIMUM CP VALUE. MUST BE WITHIN THE DIMENSIONAL LIMITATIONS SHOWN ON DRAWING AND INITIALLY LOCATED TO ALLOW FOR MAXIMUM TOOL LIFE.

MATL SPEC	FINISH		
DRW MYORK	DATE 10/28/2020	SCALE NTS	FINISH GOOD WT GRAMS/PIECE

UNLESS OTHERWISE SPECIFIED, DIMENSIONS ARE IN MILLIMETERS, DIMENSIONS IN BRACKETS [ ] ARE INCHES DIMENSIONING AND DO NOT INCLUDE PLATING. TOLERANCING TO BE INTERPRETED IN ACCORDANCE WITH ANSI Y14.5M-1994

3RD ANGLE PROJECTION	
----------------------	--

**TITLE** LFXV15060FBC FUSEBLOCK COVER-PULLER

<b>Littelfuse</b> CHICAGO, ILLINOIS 60631	REVISION D	DRWG NO. OL-LFXV15060FBC	SHEET 1 OF 1 OUTLINE
--	------------	--------------------------	-------------------------