

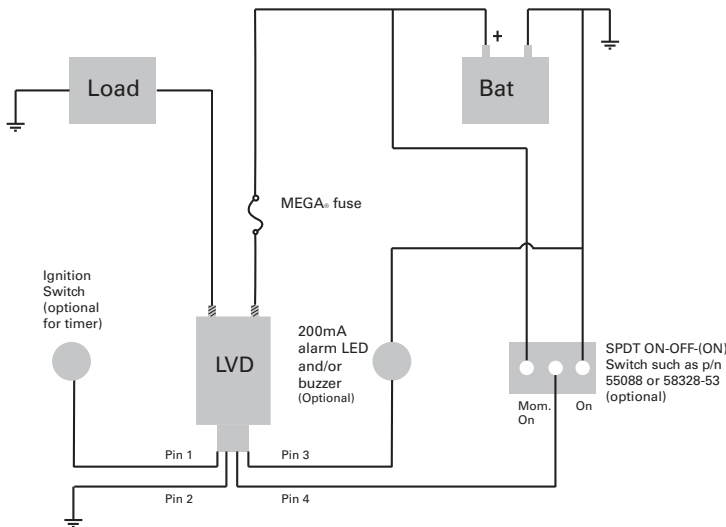
Installation Instructions

Compact Magnum Low Voltage Disconnect

Part Number: 48514 & 48714



Connection Schematic



General Specifications

Environmental: -40°C to 85°C. SAE J1455 & J1113

Electronics sealed to IP67
Ignition-proof to ISO 8846

Electrical: 250A @ 85°C
Operating Voltage 9-32V
1mA max quiescent current

Disconnect: Factory Standard Settings
12V - Less than 12.1V for 2 minutes
24V - Less than 24.2V for 2 minutes
Accuracy ±100mV

Connect: 12V - More than 13.0V for 10 seconds
24V - More than 26.0V for 10 seconds
Factory programmable
Accuracy ±100mV

Alarm: Active High, 250mA
See operating details for alarm conditions

Dimensions: See drawing below. Dimensions in inches (mm)

Installation

Caution: Do not mount device in a location where it will be exposed to a direct heat source, moisture or salt spray.

Mount device in a location where there is air circulation. Under normal operating conditions this device may run hot. Use caution when handling.

Note: All connections to pins 1-4 should be made using a 12804 harness connector or a Deutsch DT06-4S connector.

1. Disconnect the battery or power supply or switch it off using the master disconnect switch before installation. All connections to pins should be made with the connector.
2. Connect Pin 1 to ground.
3. Connect LVD "Load+" stud to accessory loads using appropriate heavy gauge cable.
4. Optional connections:
 - To use the manual feature, connect pin 2 "Manual Override" to a center common post of a SPDT (On - Off - Mom. On) switch. Connect the side that is active in the Mom. On position to battery voltage. Attach the side that is active in the stable On to the ground.
 - To use the alarm feature, Connect Pin 3 "Alarm" to a audio/visual alarm (voltage rating appropriate for your system) or a relay that draws less than 250mA. Connect the other side of the alarm device to Ground.
 - To use the ignition countdown timer feature, connect Pin 4 "IGN" to the ignition switch (usually to the run position).
 - Unused locations in the connector must be filled with plugs provided.
5. Connect LVD "Battery+" stud to the battery positive terminal (or battery positive terminal block) using appropriate heavy gauge cable and proper fusing (not to exceed product rating).

NOTE: If a master disconnect switch is used, the LVD should be installed "after" the master disconnect, such that the master disconnect switch can be used to shut off power to the LVD.

6. Reconnect the battery or power supply