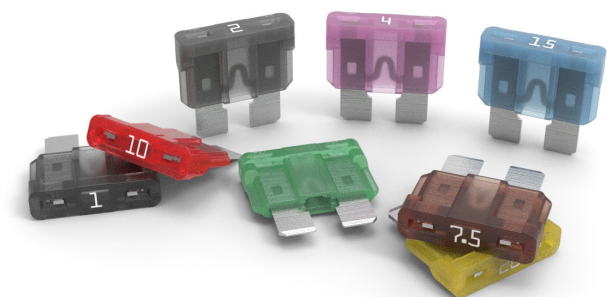


ATOF® Blade Fuses

Rated 32V



ATOF® Shunt

Specifications

Voltage Rating:	32 V dc
Interrupting Rating:	1000 A @ 32 V dc
Recommended Environmental Temperature:	-40 °C to +125 °C (ATOF®) -40 °C to +105 °C (ATOF® Shunt)
Terminals Material:	Tin- or silver-plated*
Housing Material:	PA66 (UL 94 Flammability rating of V-2)
Net Weight Per Fuse:	1.4 g ± 5 %
Comply With:	SAE J1284 and ISO 8820-3
UL Listed:	File AU1410
CSA Certified:	File No. 29862

*Tin plating's temperature limit is =130 °C. Silver plating allows up to 150 °C at the terminal interface.

Description

ATOF® automotive blade fuses were developed to take the place of obsolete ATO Series 257 fuses. Automakers consider ATOF fuses standard equipment for protecting low-voltage circuits.

Applications

- Cars
- Trucks
- SUVs
- Offroad vehicles
- Buses
- Watercraft as approved by Littelfuse®

Features & Benefits

- Color coding indicates amperage rating
- See-through housings make it easier to see when fuses blow
- Checkpoints on top make it possible to measure resistance without removing the fuse
- High-contrast ampere stamps on housings aid identification
- Simple to install and remove
- Shunt version available (Tin plated only)

Ordering Information

Part Number	Current Rating (A)	Package Size
ATOF® (Tin Plated)		
0287xxx.PXCN	1-40 & Shunt	2000
0287xxx.U	1-40	500
0287xxx.H	1-40	100
0287xxx.L	1-40	50
ATO Ag (Silver-Plated)		
0287xxx.PXS	1-40	2000

ATOF® Blade Fuses

Rated 32V

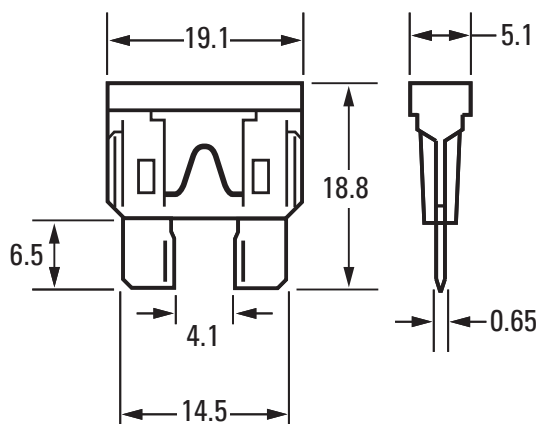
Ratings

Part Number	Current Rating (A)	Housing Material Color	Test Cable Size (mm ²)	Typ. Voltage Drop (mV)	Typ. Cold Resistance (mΩ)	Typ. I ² t (A ² s)
0287001._	1	Black	0.35	176	123	0.4
0287002._	2	Grey	0.35	141	53.5	1.4
0287003._	3	Purple	0.35	137	31.1	7.4
0287004._	4	Pink	0.35	136	22.8	14
0287005._	5	Brown	0.5	128	17.85	26
028707.5._	7.5	Dark Brown	0.75	116	10.91	60
0287010._	10	Red	1	109	7.70	115
0287015._	15	Blue	1.5	102	4.80	340
0287020._	20	Yellow	2.5	98	3.38	520
0287025._	25	Light Orange	2.5	92	2.52	1 000
0287030._	30	Green	4	84	1.97	1 500
0287035._	35	Dark Green	6	87	1.61	2 300
0287040._	40	Orange	6	96	1.44	3 300
0287900._	SHUNT	White	-	-	-	-

The typical I²t is an average value calculated from the breaking capacity tests by using the melting time before the arcing occurs.

Dimensions

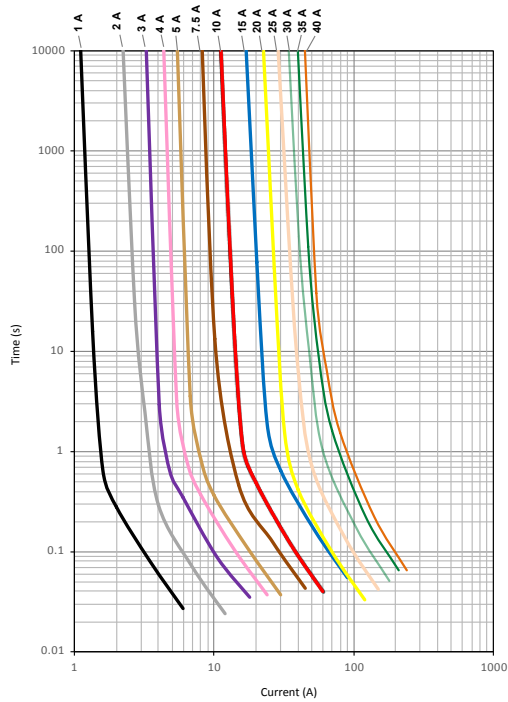
Dimensions in mm for reference only.
See outline drawing for dimensions and tolerances.



ATOF® Blade Fuses

Rated 32V

Time-Current Characteristic Curves

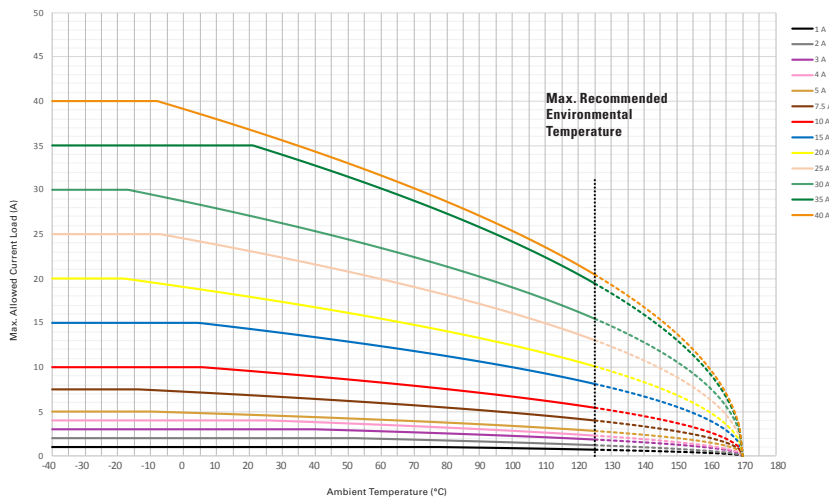


Time-Current Characteristics

% of Rating	Current Rating (A)	Opening Time Min. / Max. (s)
100	35-40	360,000 / ∞
110	1-30	360,000 / ∞
135	1-2	0.35 / 600
	3-40	0.750 / 600
160	1-40	0.250 / 50
	3-40	0.15 / 5
200	1-2	0.1 / 5
	3-40	0.08 / 0.5
350	1-2	0.02 / 0.5
	3-40	0.1 max
600	1-30	0.15 max
	35-40	0.15 max

Typical Derating of Fuse Melting Element

Temperature security margin is 20 %.
 Wire cross-section and fixture test setup refer to ISO 8820-3.
 Please contact Littelfuse for details regarding derating test setup.



Temperature Table

	Max. allowed current load (A) at ambient temperature (typical derating)						
	-40 °C	0 °C	20 °C	65 °C	85 °C	110 °C	125 °C
1 A	1	1	1	1	1	1	1
2 A	2	2	2	2	2	1	1
3 A	3	3	3	3	2	2	2
4 A	4	4	4	3	3	3	2
5 A	5	5	5	4	4	3	3
7.5 A	8	7	7	6	5	5	4
10 A	10	10	10	8	7	6	5
15 A	15	15	14	12	11	9	8
20 A	20	19	18	15	14	12	10
25 A	25	25	23	19	18	15	13
30 A	30	29	27	23	21	18	15
35 A	35	35	35	29	27	22	19
40 A	40	39	37	31	28	24	20

ATOF® SHUNT Maximum Continuous Load at 85°C: 40A

Derating curves may change depending on the final condition of the application (terminals' characteristics, wire size, etc.). Please ask Littelfuse® for more information.